

TOTAL DISPERSAL SALE
DUN Nguni Auction

18 May 2022 12 noon
Grahamstown Auction yard



DUN

Est. 2005

Nguni Stud

Dale Cunningham 083 6555 597
Paul Hobson 082 652 4724



Sold under the
auspices of the
Nguni Breed
Society



CODE OF CONDUCT

The Umsenge Nguni Breeders' Group adheres to a code of conduct in the marketing of cattle to potential buyers, and as such, as individual members, we commit to the following principles:

- We are transparent as to our farming practices and will disclose:
 - Herd management and breeding strategies
 - Veld types and grazing resources
 - Supplementary feeding practices
 - Innoculatory and parasite control practices
 - Pre-sale preparation of animals
 - Genetic matters of relevance
 - Any other information relevant to the animals on offer
- We commit to the validity of resource material embodied in the sale catalogue and specifically breeders' comments published therein.
- We commit to the validity of all advertising content including that published on the group website, breeders' brochures, pen placards and suchlike.
- We ensure that all cattle on sale have been pre-screened for quality on the farm, in terms of group standards.
- We ensure that all animals on sale have the requisite documentation as prescribed in terms of sales under the auspices of the Nguni Cattle Breeders Society of South Africa, and that female animals declared to be in calf are valued as such by veterinary certificates.
- We will address any post sale concern which a buyer of our cattle might have, and will advise the rest of the Umsenge group as to:
 - The nature of the concern
 - The remedial action taken
 - The outcome thereof
- We require invited guest sellers to commit to the principles embodied herein.

It is our wish that the recipients of our cattle are satisfied with their purchases, and that these animals add value to the herds in which they are placed.



NGUNI Beestelersgenootskap
Cattle Breeder's Society

Tel: 051 448 7302/3 • Fax: 051 448 7304
Posbus/P.O. Box 506 Bloemfontein 9300
Email: info@ngunicattle.info • Web: www.ngunicattle.info

CONDITIONS FOR SALES UNDER THE AUSPICES OF THE NGUNI CATTLE BREEDERS' SOCIETY.

Nguni stud breeding is subject to the stipulation of the Animal Improvement Act and conforms to the standards of The Nguni Cattle Breeders Society. The Society therefore has the right to implement certain controls to ensure the accuracy of information regarding Parentage, Performance and Estimated Breeding Values.

Information regarding Parentage, Performance and Estimated Breeding Values of animals, as supplied by the breeder, have been verified and compared to the official database held on the database of the Society's official Registering Authority, SA Studbook. The Nguni Cattle Breeders' Society therefore, confirms the accuracy of such information.

To the knowledge of the Society these controls have been carried out accurately. However, the Society does not take any responsibility for incorrect information through printing errors.

Animals on such sales have been visually screened by Inspectors of The Nguni Cattle Breeders' Society and comply with the Nguni Minimum Breed Standards as stipulated by the Society.

In terms of the requirements for the sale of animals under the auspices of the Nguni Cattle Breeders' Society, bulls that are presented must within the preceding three month period have been tested by a veterinarian in respect of breeding soundness (external genitals, internal genitals, rectal examination, macro and microscopic evaluation of semen sample) and must have tested negative in respect of Trichomoniasis, Vibriosis, CA and TB. Breeders are advised to run tested bulls separate from females until the date of the sale (Section 2.5 from Schedule G2). All other animals must have tested negative in respect of TB and CA as close as possible to but not more than three months prior to the sale date. (Section 2.6 of Schedule G2).

The Society DOES NOT however, have any control over:

- Immunization and the general health status of animals
- Suitability of a bull for breeding
- Fertility status of animals
- Unregistered animals

2.

Nguni - The breed from the past for the future

Verduideliking van katalogus

LOT: Lot nummer
 Ident.nnr: Identifikasie nommer (Kudde kenmerk + geboorte jaar + volgnummer)
 Afdeling: SP = Studbook Proper (vol geregistreer)
 Reg.nommer: SA Stamboek Registrasie nommer

LOT

Naam: **NELGUNI**
 Ident. nommer: **CJ 010113**
 Geslag: **VROULIK**
 Afdeling: **SP**
 Reg. nommer: **0045799095**
 Geboorte Datum: **09-DEC-01**



NELGUNI CJ 010113 - SP
 0045799095 - 09-DEC-01
 OEK 36 TKP 417
 Oud. / Kalwers 13j. 2md. / 8
 Gem Si/Kalf: / 0
 Koei Doelt.: 107
 Koei/Speen Verh.: -%
 KALWINGS
 12/04, 12/05,
 11/06, 04/08,
 08/09, 10/10,
 10/11, 12/12

OP 960436 - B
 0044752624 - 01-JAN-96

OMATJENNE OP 900289 - B
 0022962625 - 11-NOV-90

OMATJENNE OP 820186 - A
 0021347901 - 17-DEC-82

OP 920380 - A
 0044752616 - 01-JAN-92
 OEK 47 TKP
 Oud. / Kalwers 23j. 9md. / 1
 Koei/Speen Verh.: -%
 Koei Doelt.
 Gem Si/Kalf: / 0

JS90245 --
 0044883056 - 01-DEC-89

JS9225 --
 0044883072 - 01-DEC-87
 OEK TKP
 Oud. / Kalwers 27j. 2md. / 0
 Koei Doelt.
 Koei/Speen Verh.: -%
 Gem Si/Kalf: / 0

NEL 960012 - SP
 0044295822 - 12-DEC-96
 OEK 33 TKP 369
 Oud. / Kalwers 18j. 2md. / 5
 Koei Doelt. 99
 Koei/Speen Verh.: -%
 Gem Si/Kalf: / 0

OEK: Ouderdom met eerste kalwing
 TKP: Tussenkalfperiode
 RI: Reproduksie indeks

Oud. / Kalwers: Ouderdom van koei en aantal kalwers.
 Koei Doelt.: Koei Doeltreffendheid
 Koei/Speen Verh.: Koei/Speen gewig Verhouding %

Teelwaardes en Seleksie waardes

Die Teelwaardes en Seleksie Waardes in hierdie verslag dui die genetiese meriete van diere aan – alle omgewingseffekte is uit die waardes verwyder. Die inligting is gebaseer op diere wat wetenskaplik korrek en presies gemeet is volgens internasionaal aanvaarbare metodes. Teelwaardes word beraam uit verskillende bronne van inligting: voorouers, eie prestasie en nageslag. Seleksie waardes is ‘n kombinasie van relevante teelwaardes.

Seleksie W.	KALF GEMAK		MELK		KALFGROEI		ONDERHOUD		GROEI TOETS					VRUGBAARHEID		KOEI WAARDE	GROEI WAARDE	PRODUKSIE WAARDE
	Geb gew	Geb Mat	Melk	Speen gew	Naspeen	Volw. gewig	GDT	Kleiber	VOV	Lengte	Hoogte	SO	OEK	TKP	105 ²⁹			
TW Ind	101	89	108	99	102	98	108	109	101	112	113	114	107	105	106 ²⁰		105 ¹⁶	107 ¹⁹
TW	-18 ⁷⁸	-19 ⁹⁸	6 ³	.1 ²¹	1.2 ¹¹	-2 ⁹	12 ¹⁴	30 ¹⁴	-32 ¹⁷	7 ¹⁶	5 ¹⁷	6.8 ¹⁷	-9.4 ³⁶	-2.4 ²¹	In Vitro			
Opmerkings:															Spoelings/Embrios/Kalwers:		0/0/0	
															Toetse: -			
															Inent. -			

Seleksie waardes:

Seleksie Waarde (Selek.W)	Wat beteken ‘n waarde bo rasgemiddeld (100)?
KALFGEMAK	Kleiner kalf by geboorte – makliker kalwing
MELK	Koeie met meer melk en beter moeder eienskappe
KALFGROEI	Swaarder kalf by speen as gevolg van groeiagtigheid van die kalf self
ONDERHOUD	Diere met laer behoeftes vir onderhoud.
VRUGBAARHEID	Koeie / dogters wat vroeër en/of meer gereeld kalf.

Maklike interpretasie van Seleksie Waardes en Teelwaarde Indekse:

- Die gemiddeld van lewendige diere in die hele ras is gelyk aan 100
- Bokant 100: meer gewenste rigting,
- Onder 100: minder gewenste rigting
- Meeste diere is gemiddeld (tussen 90 en 110)

Nguni Cow Value and Nguni Growth Value

The Cow and Growth Values combine different weighted breeding values into a single value, making it easier to identify the "best" animal when many traits and consequently many breeding values are involved. Breeding values are weighted scientifically according to economic importance and heritability.

The **Nguni Cow Value** focuses more on fertility and less on growth, while the **Nguni Growth Value** emphasizes growth components without impairment of selection for other important features such as milk and fertility.

Interpretation of Selection Values

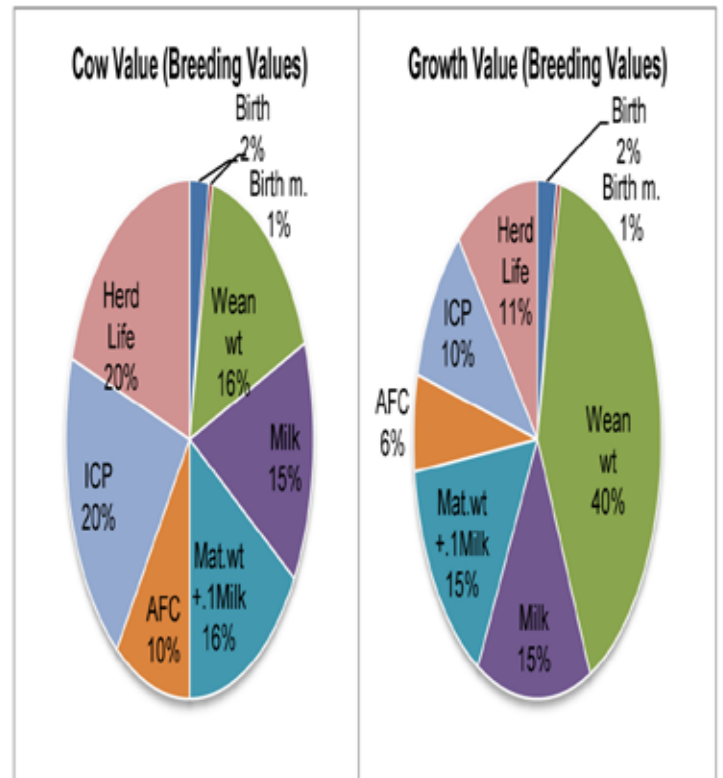
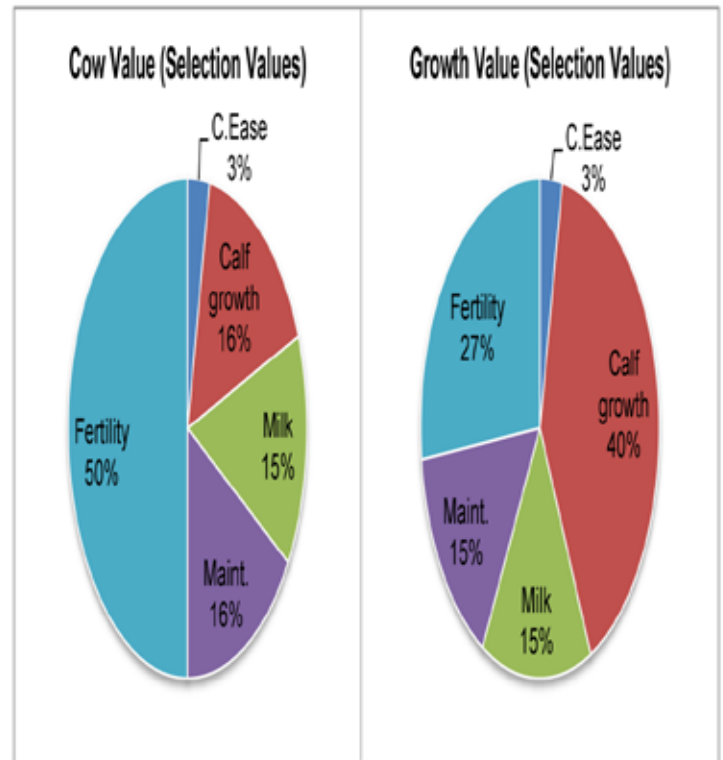
Sub Value	<80 (Worse)	80-120 (Safe)	>120 (Better)
Calving ease	Heavier birth wt	Average birth wt	Lower Birth wt
Calf Growth	Low weaning wt	Average weaning wt	Heavy weaning wt
Milk	Low milk	Average milk	High milk
Maintenance	High mature wt / milk	Avg mature wt/milk	Low mature wt/milk
Fertility	Low fertility	Average fertility	High fertility

The 'ideal' animal will theoretically have the highest possible positive values for all sub-indices, but breeding objectives should always be kept in mind! Highest is not always best.

% Components of the Nguni Cow Value and Nguni Growth Value

Sub value	EBV	+ or -	Cow Value	Growth Value
Calving Ease	Birth weight	-	2.5	2.5
	Birth maternal	-	0.5	0.5
Calf growth	Weaning weight	+	16	40
Milk	Milk	+	15	15
Maintenance	Mature wt ^{0.75} + 0.1 Milk	-	16	15
	AFC (age at first calving)	-	10	6
Fertility	ICP (intercalving Period)	-	20	10
	Herd Life (longevity)	+	20	11

Selection values are expressed around 100 (breed average for live animals). 50% of animals in the breed are average and have selection values between 90 and 120 (2.5 and 3 stars).



LOT 1

0603085, LEOPARD RIDGE CONSERVANCY CC, T/A DUN NGUNIS,P.O. BOX 7007, GRAHAMSTOWN,6148,(T)083-655 5597



Naam Ident. nommer Geslag Afdeling Reg. nommer Geboorte Datum
TOVERVELD TV 150548 - SP **TV 150548** **MANLIK SP** **0082483868** **28-OCT-15**

TOVERVELD TV 150548 - SP
0082483868 - 28-OCT-15- DNS: U473772

CLOTAN CSF 100082 - B
0071978886 -22-OCT-10- DNS: U175691



GELYKFORTEIN SW 100021 - B
0071430060 - 05-OCT-10
 OEK **26** TKP **372**
 Oud. / Kalwers **10j.4m. / 9**
 Koei Doelt. -
 Koei/Speen Verh.: **-%**
 Gem SI/Kalf: **98 / 10**

GELYKFORTEIN SW 020048 - B
0046984852 -10-NOV-02

COMPASSBERG KW 040038 - A
0049411739 - 01-DEC-04

OEK **33** TKP **373**
 Oud. / Kalwers **8j.10m. / 7**
 Koei/Speen Verh.: **-%**
 Koei Doelt. -
 Gem SI/Kalf:

GELYKFORTEIN SW 070233 - B
0064419211 - 20-FEB-07- DNS: B1100098

- TOL050182 - A
0065301061 - 17-MAY-05

OEK **-** TKP **351**
 Oud. / Kalwers **7j.2m. / 6**
 Koei Doelt. -
 Koei/Speen Verh.: **-%**
 Gem SI/Kalf:

MKHAYA S 901919 - B
0022088298- 17-JUL-90
GELYKFORTEIN SW 960406 - A
0040384745 - 01-JAN-96

--- MS
0135431189 -01-JAN-40

COMPASSBERG KW 020130 - A
0048529481 - 01-JAN-02

TEUGUNI MTN 930025 - SP
0029051893 -13-OCT-93- DNS: P2539/04

- H010223 - A
0048628655 - 05-MAR-01

- TOL 970053 - SP
0049288327- 17-DEC-97

- SNV920236 - -
0062833470 - 15-OCT-92

Seleksie W.	KALF GEMAK		MELK	KALFGROEI	ONDERHOUD	GROEI TOETS						VRUGBAARHEID			KOEI WAARDE	GROEI WAARDE	PRODUKSIE WAARDE
	★★★		★★★	★★★	★★★	Tipe groeipunt						★★★					
	86 ⁶²		95 ⁵⁰	106 ⁶⁷	91 ²⁷	GDT	Kleiber	VOV	Langte	Hoogte	SO	OEK	TKP				
TW Ind	86	102	95	106	104	107	110	109	-	110	109	104	74	105	96 ³⁶	97 ⁵¹	96 ⁴⁴
TW	.74 ⁶⁸	-.07 ³³	-.5 ⁵⁰	3.6 ⁶⁷	4.6 ⁵⁰	8.8 ²⁷	22.4 ⁹	32.9 ⁹	-	9.3 ¹¹	3.9 ¹¹	4 ¹¹	15.8 ⁴¹	-3.1 ²²	In Vitro		
Tellersopmerkings: Fertility tested & Sheath wash														Semen skenker: Nee Toetse: CA & TB tested Inent. -			

LOT 2

0603085, LEOPARD RIDGE CONSERVANCY CC, T/A DUN NGUNIS,P.O. BOX 7007, GRAHAMSTOWN,6148,(T)083-655 5597



Name Ident. number Sex Section Reg. number Birth Date
WATERHOEK DUN 200017 - SP **DUN 200017** **MALE SP** **0090578410** **14-JUL-20**

WATERHOEK DUN 200017 - SP
0090578410 - 14-JUL-20

BHETJANE FF 130104 - SP
0078886504 -08-NOV-13- DNA: U369376



SLAGBOOM WT 140105 - SP
0080671068 - 06-NOV-14
 AFC **24** ICP **450**
 Age / Calves **5yr.8m. / 4**
 Cow Eff. -
 Cow/Wean Ratio: **-%**
 Avg. WI/Calf: **0**

BHETJANE FF 050023 - SP
0061992715 -25-SEP-05- DNA: U1386071

WALT GF 070097 - SP
0065235574 - 11-OCT-07
 AFC **25** ICP **371**
 Age / Calves **8yr.2m. / 7**
 Cow/Wean Ratio: **52.33%**
 Cow Eff. **107**
 Avg. WI/Calf:

QUAGGA FLATS GL 060110 - SP
0063966949- 18-DEC-06- DNA: U162620

SLAGBOOM WT 060054 - B
0063425763 - 15-OCT-06
 AFC **36** ICP **448**
 Age / Calves **9yr.1m. / 6**
 Cow Eff. -
 Cow/Wean Ratio: **-%**
 Avg. WI/Calf:

BHETJANE FF 970037 - SP
0038512471- 14-MAY-97- DNA: P680/05

BHETJANE FF 970004 - B
0038512141 - 08-APR-97

WALT GF 010147 - SP
0045464153 -22-NOV-01- DNA: U151449

WALT GF 060018 - SP
0062584776 - 18-FEB-06

WALT GF 010023 - SP
0044753317 -16-JUL-01- DNA: U160096

QUAGGA FLATS GL 010025 - B
0044720647 - 08-MAR-01

BHETJANE FF 020084 - SP
0046467262- 24-SEP-02

- WT 010007 - A
0062607809 - 15-OCT-01

Selection V.	CALVING EASE		MILK	CALF GRWTH	MAINTENANCE	GROWTH TEST						FERTILITY			COW VALUE	GROWTH VALUE	PRODUCTION VALUE
	★★★		★★★	★★★★	★★★	Type						★★★					
	94 ²⁸		100 ³⁵	115 ⁴¹	90 ²⁸	ADG	Kleiber	FCR	Length	Height	SC	AFC	ICP				
BV Ind	96	89	100	115	116	108	120	123	-	114	109	109	104	98	101 ²⁹	110 ³⁷	105 ³³
BV	.23 ²⁸	.31 ²⁷	.4 ³⁵	6.8 ⁴¹	9.9 ²⁷	9.7 ²⁸	42.5 ³¹	54.6 ³¹	-	11.5 ³⁵	4.2 ³⁷	5.8 ³⁶	-7.1 ⁴¹	-1.6 ²⁷	In Vitro		
Breeder's Remarks: Fertility tested & Sheath wash														Semen donor: No Tests: CA & TB tested Vacc. -			

LOT 3

0603085, LEOPARD RIDGE CONSERVANCY CC, T/A DUN NGUNIS,P.O. BOX 7007, GRAHAMSTOWN,6148,(T)083-655 5597



Naam Ident. nommer Geslag Afdeling Reg. nommer Geboorte Datum
NANDI T 170086 **T 170086** **MANLIK B** **0085801546** **02-SEP-17**

NANDI T 170086 - B
0085801546 - 02-SEP-17

INHLUZANE TCW 100018 - A
0071249510 - 01-SEP-10- DNS: U428229



NANDI T 110145 - B
0073490013 - 20-AUG-11
 OEK **38** TKP **417**
 Oud. / Kalwers **9j.11m. / 7**
 Koei Doelt. **88**
 Koei/Speen Verh.: **39.2%**
 Gem SI/Kalf: **0**

--- MS
0135431189 - 01-JAN-40

KLEINZUURBRON LP 040325 - A
0060024411 - 07-NOV-04

OEK **25** TKP **406**
 Oud. / Kalwers **12j.1m. / 10**
 Koei/Speen Verh.: **-%**
 Koei Doelt. **-**
 Gem SI/Kalf:

- T 030191 - A
0062587266- 04-NOV-03- DNS: U307544

NANDI T 020179 - SP
0046618732 - 08-OCT-02

OEK **35** TKP **371**
 Oud. / Kalwers **14j.0m. / 12**
 Koei Doelt. **-**
 Koei/Speen Verh.: **-%**
 Gem SI/Kalf:

--- MS
0135431189 - 01-JAN-40

- UR 010020 - A
0048167167 - 15-OCT-01

NANDI T 980148 - SP
0040900276 - 02-OCT-98- DNS: U157361

TAFELSIG CS 980003 - SP
0040385213- 17-JUN-98- DNS: X000052318

NANDI T 990168 - SP
0043123769 - 27-SEP-99

Seleksie W.	KALF GEMAK		MELK	KALFGROEI	ONDERHOUD		GROEI TOETS					VRUGBAARHEID			KOEI WAAARDE	GROEI WAAARDE	PRODUKSIE WAAARDE
	107 ₂₂	101 ₂₆	83 ₃₆	103 ₁₅	Tipe groeipunt					97 ₄₁							
TW Ind	Geb gew	Geb Mat	Melk	Speen gew	Naspeen	Volw. gewig	GDT	Kleiber	VOV	Lengte	Hoogte	SO	OEK	TKP	89 ₂₅	81 ₃₂	84 ₂₈
TW	-19 ₂₂	-32 ₂₁	.7 ₂₆	-4.3 ₃₆	-6.3 ₁₂	.1 ₁₅	-32 ₁₁	-5.8 ₁₁	-	-8.9 ₁₃	-7.3 ₁₄	-4.4 ₁₄	-2.2 ₄₈	-1.4 ₂₈	In Vitro		
Tellersopmerkings: Fertility tested & Sheath wash														Semen skenker: Nee Toetse: CA & TB Tested Inent. -			

LOT 4

0603085, LEOPARD RIDGE CONSERVANCY CC, T/A DUN NGUNIS,P.O. BOX 7007, GRAHAMSTOWN,6148,(T)083-655 5597



Name Ident. number Sex Section Reg. number Birth Date
BHETJANE FF 130104 **FF 130104** **MALE** **SP** **0078886504** **08-NOV-13**

BHETJANE FF 130104 - SP
0078886504 - 08-NOV-13- DNA: U369376

BHETJANE FF 050023 - SP
0061992715 - 25-SEP-05- DNA: U1386071



WALT GF 070097 - SP
0065235574 - 11-OCT-07
 AFC **25** ICP **371**
 Age / Calves **8yr.2m. / 7**
 Cow Eff. **107**
 Cow/Wean Ratio: **52.33%**
 Avg. WI/Calf: **105 / 7**

BHETJANE FF 970037 - SP
0038512471 - 14-MAY-97- DNA: P680/05

BHETJANE FF 970004 - B
0038512141 - 08-APR-97

AFC **25** ICP **411**
 Age / Calves **16yr.8m. / 14**
 Cow/Wean Ratio: **43.04%**
 Cow Eff. **89**
 Avg. WI/Calf:

WALT GF 010147 - SP
0045464153- 22-NOV-01- DNA: U151449

WALT GF 060018 - SP
0062584776 - 18-FEB-06

AFC **20** ICP **366**
 Age / Calves **9yr.7m. / 9**
 Cow Eff. **-**
 Cow/Wean Ratio: **-%**
 Avg. WI/Calf:

MKHAYA S 840136 - B
0011693926- 04-JUL-84

BHETJANE FF 930005 - B
0027897388 - 10-FEB-93

BHETJANE FF 890015 - A
0021829924 - 12-AUG-89

BHETJANE FF 900062 - A
0027910991 - 01-JAN-90

LINZULU BK 890060 - B
0021550686 - 31-DEC-89- BLD: X4722

WALT GF 970055 - B
0039633946 - 15-NOV-97

GELYKFONTAIN SW 970741 - B
0043099035- 14-NOV-97

WALT GF 020178 - B
0046970554 - 21-NOV-02

Selection V.	CALVING EASE		MILK	CALF GRWTH	MAINTENANCE		GROWTH TEST					FERTILITY			COW VALUE	GROWTH VALUE	PRODUCTION VALUE
	82 ₄₆	93 ₆₂	132 ₇₅	79 ₅₃	Type					107 ₅₆							
BV Ind	Birth wght	Birth Mat	Milk	Wean wght	Post wean	Mature wght	ADG	Kleiber	FCR	Length	Height	SC	AFC	ICP	105 ₄₈	115 ₆₄	110 ₅₆
BV	.74 ₄₇	.41 ₄₄	-9.9 ₆₂	12.3 ₇₅	18.5 ₄₉	21.7 ₅₃	82 ₆₃	86.8 ₆₃	-	22.5 ₇₀	10.4 ₇₃	11.2 ₇₂	-9.8 ₅₈	-4.1 ₄₂	In Vitro		
Breeder's Remarks: Fertility tested & Sheath wash														Semen donor: No Tests: CA & TB Tested Vacc. -			

LOT 5

0603085, LEOPARD RIDGE CONSERVANCY CC, T/A DUN NGUNIS,P.O. BOX 7007, GRAHAMSTOWN,6148,(T)083-655 5597



Naam Ident. nommer Geslag Afdeling Reg. nommer Geboorte Datum

BUSHKLOOF **RV 120045** **VROULIK SP** **0075564393** **01-AUG-12**

BUSHKLOOF RV 120045 - SP
0075564393 - 01-AUG-12
OEK 27 TKP 370
Oud. / Kalwers 9j.4m. / 8
Gem SI/Kalf: / 0
Koei Doelt.: -
Koei/Speen Verh.: -%
KALWINGS
11/14, 10/15,
11/16, 11/17,
12/18, 12/19,
11/20, 12/21

BHETJANE FF 020159 - B
0046859443 -05-DEC-02- DNS: X0000109906



BUSHKLOOF RV 020010 - SP
0046509683 - 05-OCT-02
OEK 28 TKP 388
Oud. / Kalwers 11j.11m. / 10
Koei Doelt. -
Koei/Speen Verh.: -%
Gem SI/Kalf: / 0

BHETJANE FF 970037 - SP
0038512471 -14-MAY-97- DNS: P680/05

BHETJANE FF 880041 - A
0022466163 - 01-JAN-88
OEK - TKP 398
Oud. / Kalwers 14j.11m. / 12
Koei/Speen Verh.: -%
Koei Doelt. -
Gem SI/Kalf: 84 / 11

MORGAN AZ 990044 - SP
0043129147- 18-OCT-99

HARTEBEES DTK 880007 - B
0017672510 - 22-OCT-88
OEK 25 TKP 368
Oud. / Kalwers 15j.1m. / 14
Koei Doelt. -
Koei/Speen Verh.: -%
Gem SI/Kalf: 108 / 10

MKHAYA S 840136 - B
0011693926- 04-JUL-84
BHETJANE FF 930005 - B
0027897388 - 10-FEB-93

CAREFREE C 910104 - B
0024871808 -10-NOV-91- BLD: X26067

MORGAN AZ 960076 - B
0038165940 - 24-OCT-96

HARTEBEES DTK 840135 - B
0011106168- 03-DEC-84

HARTEBEES DTK 860029 - B
0015871403 - 03-NOV-86

Seleksie W.	KALF GEMAK		MELK	KALFGROEI	ONDERHOUD		GROEI TOETS					VRUGBAARHEID			KOEI WAAARDE	GROEI WAAARDE	PRODUKSIE WAAARDE					
	★★★★	★★★★	★★	★★	★★★★	Tipe groeipunt					★★★★	★★★★	★★★★									
	129 ₅₈	84 ₅₁	75 ₅₅	125 ₄₁	Geb gew	Geb Mat	Melk	Speen gew	Naspeen	Volw. gewig	GDT	Kleiber	VOV	Langte	Hoogte	SO	OEK	TKP	★★★★	★★★	★★★	
TW Ind	123	125	84	75	74	76	76	78	-	80	85	101	149	116	113 ₄₂	97 ₅₃	104 ₄₈					
TW	-1.17 ₅₉	-0.68 ₅₃	-2.9 ₅₁	-6.9 ₅₅	-10.3 ₃₄	-16.5 ₄₁	-45.8 ₃₂	-16.6 ₃₂	-	-11.2 ₃₅	-6.7 ₃₆	2.6 ₃₅	-42.8 ₆₄	-5.6 ₄₅	In Vitro							
Telersopmerkings: 3,5M PREGNANT TO FF13-104. BULL CALF DUN21-67 SIRE FF13-104																	Spoelings/Embrios/Kalwers: 0/0/0 Toetse: CA & TB tested					
Inent. -																						

LOT 6

0603085, LEOPARD RIDGE CONSERVANCY CC, T/A DUN NGUNIS,P.O. BOX 7007, GRAHAMSTOWN,6148,(T)083-655 5597



Name Ident. number Sex Section Reg. number Birth Date

NTABA **ANS 160062** **FEMALE B** **0084353119** **09-OCT-16**

NTABA ANS 160062 - B
0084353119 - 09-OCT-16
AFC 34 ICP 388
Age / Calves 4yr.11m. / 3
Avg. Wl/Calf: / 0
Cow Eff.: -
Cow/Wean Ratio: -%
CALVINGS
08/19, 09/20,
10/21

TALKING-HILL SY 070144 - A
0068228634 -08-OCT-07- DNA: U0000161507



NTABA ANS 130073 - A
0078214566 - 18-SEP-13
AFC 37 ICP 358
Age / Calves 7yr.11m. / 6
Cow Eff. -
Cow/Wean Ratio: -%
Avg. Wl/Calf: 120 / 1

--- MS
0135431189 -01-JAN-40

TALKING-HILL SY 050074 - A
0068190859 - 01-MAY-05
AFC 29 ICP 363
Age / Calves 7yr.4m. / 6
Cow/Wean Ratio: -%
Cow Eff. -
Avg. Wl/Calf: / 0

- ANS 050300 - A
0068669159- 15-OCT-05- DNA: U0000161511

- ANS 040040 - A
0064133762 - 15-OCT-04
AFC - ICP 373
Age / Calves 14yr.2m. / 12
Cow Eff. -
Cow/Wean Ratio: -%
Avg. Wl/Calf: / 0

--- MS
0135431189 -01-JAN-40

MOTSWEDI MT 020533 - A
0048532642 - 28-OCT-02

Selection V.	CALVING EASE		MILK	CALF GRWTH	MAINTENANCE		GROWTH TEST					FERTILITY			COW VALUE	GROWTH VALUE	PRODUCTION VALUE					
	★★★★	★★★★	★★★	★★	Type					★★★★	★★★★	★★★★										
	111 ₅₀	104 ₄₀	91 ₃₂	82 ₁₂	Birth wght	Birth Mat	Milk	Wean wght	Post wean	Mature wght	ADG	Kleiber	FCR	Length	Height	SC	AFC	ICP	★★★★	★★★	★★★	
BV Ind	106	118	104	91	-	118	-	-	-	109	108	98	91	122	98 ₂₇	80 ₃₃	87 ₃₀					
BV	-3 ₅₀	-49 ₅₂	1.4 ₄₀	-1.4 ₃₂	-	17.2 ₁₂	-	-	-	8.6 ₅	3.9 ₅	1.6 ₅	2.5 ₄₄	-7 ₂₂	In Vitro							
Breeder's Remarks: 5M PREGNANT TO TV15-548. BULL CALF DUN21-43 SIRE TV15-548																	Flushings/Embrios/Calves: 0/0/0 Tests: CA & TB Tested					
Vacc. -																						


LOT 7

0603085, LEOPARD RIDGE CONSERVANCY CC, T/A DUN NGUNIS,P.O. BOX 7007, GRAHAMSTOWN,6148,(T)083-655 5597



Naam **NTABA** Ident. nommer **ANS 160090** Geslag **VROULIK B** Afdeling **0084497957** Reg. nommer **08-NOV-16** Geboorte Datum

NTABA ANS 160090 - B
0084497957 - 08-NOV-16
OEK **36** TKP **670**
Oud. / Kalwers **4j.10m. / 2**
Gem SI/Kalf: **/ 0**
Koei Doelt.: **-**
Koei/Speen Verh.: **-%**
KALWINGS
11/19 ,09/21

GMD GMD 070220 - SP
0064235187 -06-APR-07- DNS: U102905

- ANS 040140 - A
0064133689 - 15-OCT-04
OEK **-** TKP **359**
Oud. / Kalwers **13j.0m. / 10**
Koei Doelt. **-**
Koei/Speen Verh.: **-%**
Gem SI/Kalf: **/ 0**

TAFELSIG CS 040023 - B
0048800551 -25-JUN-04- DNS: U169876
MATOTOLAND GMD 030042 - SP
0048486955 - 17-JUL-03
OEK **30** TKP **392**
Oud. / Kalwers **13j.3m. / 11**
Koei/Speen Verh.: **-%**
Koei Doelt. **-**
Gem SI/Kalf: **102 / 3**

TAFELSIG CS 950321 - A
0040384414- 01-JAN-95
TAFELSIG CS 010070 - SP
0045162252 - 02-SEP-01
MAGARAMOMBE AVM 990108 - SP
0043125350 -05-OCT-99- DNS: U142243
MODJADJI LEB 000535 - B
0044585446 - 30-OCT-00

Seleksie W.	KALF GEMAK		MELK	KALFGROEI	ONDERHOUD	GROEI TOETS						VRUGBAARHEID			KOEI WAAARDE	GROEI WAAARDE	PRODUKSIE WAAARDE
	101 ₄₉	111 ₄₃	95 ₄₅	99 ₂₈	Tipe groeipunt						105 ₄₅						
TW Ind	Geb gew	Geb Mat	Melk	Speen gew	Naspeen	Volw. gewig	GDT	Kleiber	VOV	Lengte	Hoogte	SO	OEK	TKP	103 ₃₃	100 ₄₂	101 ₃₈
TW	.09 ₄₉	-3 ₄₇	2.8 ₄₃	-1 ₄₅	2.4 ₂₈	2.2 ₂₈	-3.4 ₁₈	13.9 ₁₈	-	2.2 ₂₀	-2.3 ₂₁	2 ₂₁	10.4 ₄₆	-2.9 ₂₉	In Vitro		
Telersopmerkings: 4M PREGNANT TO TV15-548. BULL CALF DUN21-38 SIRETV15-548															Spoelings/Embrios/Kalwers: 0/0/0 Toetse: CA & TB Tested Inent. -		


LOT 8

0603085, LEOPARD RIDGE CONSERVANCY CC, T/A DUN NGUNIS,P.O. BOX 7007, GRAHAMSTOWN,6148,(T)083-655 5597



Name **DU PLESSIS** Ident. number **DPN 160007** Sex **FEMALE SP** Section **0082996554** Reg. number **21-JAN-16** Birth Date

DU PLESSIS DPN 160007 - SP
0082996554 - 21-JAN-16
AFC **33** ICP **369**
Age / Calves **5yr.9m. / 4**
Avg. WI/Calf: **/ 0**
Cow Eff.: **-**
Cow/Wean Ratio: **-%**
CALVINGS
10/18 ,12/19 ,
11/20 ,10/21

INYUMBA IM 090446 - SP
0069564284 -07-SEP-09- DNA: U186786

DU PLESSIS DPN 030129 - B
0048034334 - 03-DEC-03
AFC **35** ICP **380**
Age / Calves **13yr.3m. / 11**
Cow Eff. **-**
Cow/Wean Ratio: **-%**
Avg. WI/Calf: **/ 0**

BHETJANE FF 030005 - B
0047473202 -14-AUG-03- DNA: U160094
- MTN 020558 - B
0048628465 - 18-MAY-02
AFC **-** ICP **414**
Age / Calves **12yr.9m. / 10**
Cow/Wean Ratio: **-%**
Cow Eff. **-**
Avg. WI/Calf: **/ 0**
RODDA JR 950001 - B
0033446014- 11-FEB-95- DNA: P2138/04
LERATO MAN 970060 - A
0043469030 - 01-JAN-97
AFC **-** ICP **382**
Age / Calves **7yr.11m. / 5**
Cow Eff. **-**
Cow/Wean Ratio: **-%**
Avg. WI/Calf: **101 / 1**

- H 970091 - A
0046629135- 01-JAN-97
- GF 930004 - A
0035833573 - 01-JAN-93
- SNV 960302 - A
0048628218 -01-JAN-96- DNA: P3679/05
- MSN 004005 - A
0048628101 - 01-JAN-95
MODJADJI LEB 900168 - B
0022962112 -16-OCT-90- BLD: X14830
RODDA JR 890001 - A
0027896406 - 01-JAN-89

Selection V.	CALVING EASE		MILK	CALF GRWTH	MAINTENANCE	GROWTH TEST						FERTILITY			COW VALUE	GROWTH VALUE	PRODUCTION VALUE
	108 ₃₄	95 ₃₁	93 ₃₂	117 ₁₇	Type						100 ₄₅						
BV Ind	Birth wght	Birth Mat	Milk	Wean wght	Post wean	Mature wght	ADG	Kleiber	FCR	Length	Height	SC	AFC	ICP	100 ₂₇	101 ₃₃	100 ₃₀
BV	-28 ₃₄	-21 ₃₂	-5 ₃₁	-8 ₃₂	-1.4 ₂₀	-8.9 ₁₇	-12.9 ₁₉	6.1 ₁₉	-	3.4 ₂₁	4.7 ₂₁	-1.4 ₂₁	6 ₅₀	-1.3 ₃₀	In Vitro		
Breeder's Remarks: 5M PREGNANT TO FF13-104. BULL CALF DUN21-50 SIRE FF13-104															Flushings/Embrios/Calves: 0/0/0 Tests: CA & TB Tested Vacc. -		

LOT 9

0603085, LEOPARD RIDGE CONSERVANCY CC, T/A DUN NGUNIS,P.O. BOX 7007, GRAHAMSTOWN,6148,(T)083-655 5597



Naam Ident. nommer Geslag Afdeling Reg. nommer Geboorte Datum
KRAGGA KAMMA DS 160001 **DS 160001** **VROULIK A** **0084282862** **11-APR-16**

KRAGGA KAMMA DS 160001 - A
 0084282862 - 11-APR-16
 OEK 39 TKP 453
 Oud. / Kalwers 5j.8m. / 3
 Gem SI/Kalf: / 0
 Koei Doelt.: -
 Koei/Speen Verh.: -%
 KALWINGS
 07/19 ,12/20 ,
 01/22

--- MS
 0135431189 -01-JAN-40



QUAGGA FLATS GL 080061 - SP
 0067426791 - 09-NOV-08
 OEK 35 TKP 398
 Oud. / Kalwers 8j.4m. / 6
 Koei Doelt. 115
 Koei/Speen Verh.: 59.94%
 Gem SI/Kalf: 115 / 3

QUAGGA FLATS GL 040052 - SP
 0048987366- 04-JUL-04

QUAGGA FLATS GL 040081 - B
 0049382419 - 04-OCT-04

OEK 26 TKP 419
 Oud. / Kalwers 9j.0m. / 7
 Koei Doelt. -
 Koei/Speen Verh.: -%
 Gem SI/Kalf: 105 / 5

- JS94266 - SP
 0046446126 -04-NOV-94- DNS: P3254/03
QUAGGA FLATS GL 990063 - B
 0043115344 - 07-JUL-99
QUAGGA FLATS GL 000088 - SP
 0044038701- 02-NOV-00- GEN: AS003065
QUAGGA FLATS GL 970079 - A
 0041305079 - 01-JAN-97

Seleksie W.	KALF GEMAK		MELK	KALFGROEI	ONDERHOUD	GROEI TOETS					VRUGBAARHEID			KOEI WAARDE	GROEI WAARDE	PRODUKSIE WAARDE	
	86 ⁵⁶	86 ⁵⁶	107 ³⁷	107 ³⁸	89 ²³	Tipe groeipunt					102 ³⁰						
TW Ind	Geb gew	Geb Mat	Melk	Speen gew	Naspeen	Volw. gewig	GDT	Kleiber	VOV	Lengte	Hoogte	SO	OEK	TKP	99 ²⁶	102 ³⁴	100 ³⁰
TW	.72 ⁶⁰	.06 ³⁶	2.1 ³⁷	3.9 ³⁸	6.3 ²²	9.9 ²³	16.9 ⁶	28.1 ⁶	-	9.9 ⁷	4.3 ⁷	1.9 ⁷	96	103	-1.6 ³³	-2.7 ²⁰	In Vitro
Telersopmerkings: 2,5M PREG TV15-548/FF13-104. BULL CALF DUN22-01 SIRE TV15-548														Spoelings/Embrios/Kalwers: 0/0/0 Toetse: CA & TB Tested Inent. -			

LOT 10

0603085, LEOPARD RIDGE CONSERVANCY CC, T/A DUN NGUNIS,P.O. BOX 7007, GRAHAMSTOWN,6148,(T)083-655 5597



Name Ident. number Sex Section Reg. number Birth Date
GARIEP FB 170191 **FB 170191** **FEMALE B** **0086620457** **09-DEC-17**

GARIEP FB 170191 - B
 0086620457 - 09-DEC-17
 AFC 35 ICP 366
 Age / Calves 3yr.11m. / 2
 Avg. WI/Calf: / 0
 Cow Eff.: -
 Cow/Wean Ratio: -%
 CALVINGS
 11/20 ,11/21

SEDIBALETSA ISF 060022 - SP
 0064120652 -15-NOV-06- DNA: U115126



GARIEP FB 130100 - A
 0078867801 - 04-NOV-13

AFC 27 ICP 341
 Age / Calves 5yr.11m. / 5
 Cow Eff. -
 Cow/Wean Ratio: -%
 Avg. WI/Calf: / 0

BHETJANE FF 010136 - SP
 0045377017 -13-OCT-01- DNA: X0000110589

SEDIBALETSA ISF 040012 - SP
 0049403454 - 30-SEP-04

AFC 26 ICP 367
 Age / Calves 12yr.1m. / 11
 Cow/Wean Ratio: -%
 Cow Eff. -
 Avg. WI/Calf: 98 / 3

- ANS 021230 - FR
 0070556550- 15-OCT-02- DNA: U156023

GARIEP FB 070111 - B
 0065677221 - 13-NOV-07

AFC 27 ICP 352
 Age / Calves 10yr.0m. / 9
 Cow Eff. -
 Cow/Wean Ratio: -%
 Avg. WI/Calf: / 0

BHETJANE FF 940037 - B
 0029931961- 01-MAY-94
BHETJANE FF 970066 - B
 0038512786 - 13-JUN-97
BHETJANE FF 960006 - B
 0036921443 -15-FEB-96
- MTN 000392 - SP
 0044508729 - 01-MAR-00

ROUS HW 000040 - A
 0044328144- 14-NOV-00
GARIEP FB 040089 - SP
 0049433113 - 19-NOV-04

Selection V.	CALVING EASE		MILK	CALF GRWTH	MAINTENANCE	GROWTH TEST					FERTILITY			COW VALUE	GROWTH VALUE	PRODUCTION VALUE	
	110 ⁴¹	110 ⁴¹	88 ³⁴	93 ³²	110 ²⁰	Type					112 ⁴⁵						
BV Ind	Birth wght	Birth Mat	Milk	Wean wght	Post wean	Mature wght	ADG	Kleiber	FCR	Length	Height	SC	AFC	ICP	106 ²⁸	99 ³⁴	101 ³¹
BV	-35 ⁴²	-25 ³⁸	-2.1 ³⁴	-9 ³²	-2.6 ¹⁹	-3.1 ²⁰	-33 ¹³	-11.8 ¹³	-	-6.7 ¹⁴	-4.6 ¹⁴	.7 ¹⁴	-14.8 ⁴⁷	-3.4 ³¹	In Vitro		
Breeder's Remarks: 4M PREGNANT TO FF13-104. BULL CALF DUN21-63 SIRE FF13-104														Flushings/Embrios/Calves: 0/0/0 Tests: CA & TB Tested Vacc. -			

LOT 11

0603085, LEOPARD RIDGE CONSERVANCY CC, T/A DUN NGUNIS,P.O. BOX 7007, GRAHAMSTOWN,6148,(T)083-655 5597



Naam Ident. nommer Geslag Afdeling Reg. nommer Geboorte Datum

GARIEP FB 180123 - SP **FB 180123** **VROULIK SP** **0088136395** **19-OCT-18**

GARIEP FB 180123 - SP
0088136395 - 19-OCT-18
OEK **35** TKP -
Oud. / Kalwers **2j.11m. / 1**
Gem SI/Kalf: **/ 0**
Koei Doelt.: -
Koei/Speen Verh.: **-%**
KALWINGS
09/21

SEDIBALETSA ISF 060022 - SP
0064120652 -15-NOV-06- DNS: U115126



GARIEP FB 080054 - SP
0067375824 - 22-AUG-08
OEK **28** TKP **409**
Oud. / Kalwers **10j.1m. / 8**
Koei Doelt. -
Koei/Speen Verh.: **-%**
Gem SI/Kalf: **/ 0**

BHETJANE FF 010136 - SP
0045377017 -13-OCT-01- DNS: X0000110589

SEDIBALETSA ISF 040012 - SP
0049403454 - 30-SEP-04
OEK **26** TKP **367**
Oud. / Kalwers **12j.1m. / 11**
Koei/Speen Verh.: **-%**
Koei Doelt. -
Gem SI/Kalf: **98 / 3**

RODDA JR 950001 - B
0033446014- 11-FEB-95- DNS: P2138/04

GARIEP FB 030070 - B
0048049811 - 16-NOV-03
OEK **25** TKP **367**
Oud. / Kalwers **11j.1m. / 10**
Koei Doelt. -
Koei/Speen Verh.: **-%**
Gem SI/Kalf: **/ 0**

BHETJANE FF 940037 - B
0029931961- 01-MAY-94
BHETJANE FF 970066 - B
0038512786 - 13-JUN-97

BHETJANE FF 960006 - B
0036921443 -15-FEB-96

- MTN 000392 - SP
0044508729 - 01-MAR-00

MODJADJI LEB 900168 - B
0022962112 -16-OCT-90- BLD: X14830

RODDA JR 890001 - A
0027896406 - 01-JAN-89

BHETJANE FF 940025 - B
0029931821- 15-APR-94

GARIEP FB 930026 - A
0038294013 - 01-JAN-93

Seleksie W.	KALF GEMAK		MELK	KALFGROEI	ONDERHOUD	GROEI TOETS					VRUGBAARHEID			KOEI WAAARDE	GROEI WAAARDE	PRODUKSIE WAAARDE	
	104 ⁴⁷	47	97 ³⁹	97 ³⁷	110 ²³	Tipe groeipunt					105 ⁵¹						
TW Ind	Geb gew	Geb Mat	Melk	Speen gew	Naspeen	Volw. gewig	GDT	Kleiber	VOV	Langte	Hoogte	SO	OEK	TKP	104 ³²	104 ³⁹	104 ³⁶
TW	-1 ⁴⁸	-09 ⁴¹	-2 ³⁹	.6 ³⁷	-1 ²⁴	-3.6 ²³	-26.1 ¹⁷	-8.2 ¹⁷	-	-4.3 ¹⁹	-3 ²⁰	2 ¹⁹	-9.3 ⁶⁰	-2.5 ³⁸	In Vitro		
Telersopmerkings: 3,5M PREGNANT TO FF13-104. HEIFER CALF DUN21-45 SIRE FF13-104														Spoelings/Embrios/Kalwers: 0/0/0 Toetse: CA & TB Tested Inent. -			

LOT 12

0603085, LEOPARD RIDGE CONSERVANCY CC, T/A DUN NGUNIS,P.O. BOX 7007, GRAHAMSTOWN,6148,(T)083-655 5597



Name Ident. number Sex Section Reg. number Birth Date

GARIEP FB 180183 - SP **FB 180183** **FEMALE SP** **0088441563** **20-DEC-18**

GARIEP FB 180183 - SP
0088441563 - 20-DEC-18
AFC **35** ICP -
Age / Calves **2yr.10m. / 1**
Avg. WI/Calf: **/ 0**
Cow Eff.: -
Cow/Wean Ratio: **-%**
CALVINGS
11/21

SEDIBALETSA ISF 060022 - SP
0064120652 -15-NOV-06- DNA: U115126



GARIEP FB 110131 - SP
0074498510 - 25-DEC-11
AFC **25** ICP **445**
Age / Calves **6yr.11m. / 5**
Cow Eff. -
Cow/Wean Ratio: **-%**
Avg. WI/Calf: **/ 0**

BHETJANE FF 010136 - SP
0045377017 -13-OCT-01- DNA: X0000110589

SEDIBALETSA ISF 040012 - SP
0049403454 - 30-SEP-04
AFC **26** ICP **367**
Age / Calves **12yr.1m. / 11**
Cow/Wean Ratio: **-%**
Cow Eff. -
Avg. WI/Calf: **98 / 3**

GARIEP FB 070123 - SP
0065859027- 01-DEC-07- DNA: U156016

GARIEP FB 070069 - SP
0065168346 - 28-AUG-07
AFC **28** ICP **366**
Age / Calves **10yr.4m. / 9**
Cow Eff. -
Cow/Wean Ratio: **-%**
Avg. WI/Calf: **/ 0**

BHETJANE FF 940037 - B
0029931961- 01-MAY-94
BHETJANE FF 970066 - B
0038512786 - 13-JUN-97

BHETJANE FF 960006 - B
0036921443 -15-FEB-96

- MTN 000392 - SP
0044508729 - 01-MAR-00

WALT GF 970056 - B
0039633979 -15-NOV-97- LID: X970004484

GARIEP FB 040014 - SP
0048528756 - 01-MAR-04

HANSEL HAS 910128 - B
0024635708- 22-OCT-91- LID: X970004486

GARIEP FB 030070 - B
0048049811 - 16-NOV-03

Selection V.	CALVING EASE		MILK	CALF GRWTH	MAINTENANCE	GROWTH TEST					FERTILITY			COW VALUE	GROWTH VALUE	PRODUCTION VALUE	
	106 ⁴⁶	46	74 ³⁷	96 ³⁸	117 ²²	Type					98 ⁵¹						
BV Ind	Birth wght	Birth Mat	Milk	Wean wght	Post wean	Mature wght	ADG	Kleiber	FCR	Length	Height	SC	AFC	ICP	92 ³²	96 ³⁹	93 ³⁶
BV	-18 ⁴⁷	-16 ³⁹	-5.1 ³⁷	.4 ³⁸	-9 ²³	-8 ²²	-38.3 ¹⁵	-11 ¹⁵	-	-12.6 ¹⁶	-8.7 ¹⁶	-2 ¹⁶	-2.3 ⁶⁰	-1 ³⁸	In Vitro		
Breeder's Remarks: 3M PREG TO FF13-104/T17-86. HEIFER CALF DUN21-55 SIRE FF13-104														Flushings/Embrios/Calves: 0/0/0 Tests: CA & TB Tested Vacc. -			

LOT 13

0603085, LEOPARD RIDGE CONSERVANCY CC, T/A DUN NGUNIS,P.O. BOX 7007, GRAHAMSTOWN,6148,(T)083-655 5597



Naam Ident. nommer Geslag Afdeling Reg. nommer Geboorte Datum

WATERHOEK LRC 140035 VROULIK SP 0080184328 02-AUG-14

WATERHOEK LRC 140035 - SP
0080184328 - 02-AUG-14
OEK 28 TKP 442
Oud. / Kalwers 7j.1m. / 5
Gem SI/Kalf: / 0
Koei Doelt.: -
Koei/Speen Verh.: -%
KALWINGS
11/16 ,11/18 ,
11/19 ,11/20 ,
09/21

BUSHKLOOF RV 100035 - SP
0071911267 -19-OCT-10- DNS: U163467



LEROYENDALL RY 110001 - SP
0073737009 - 28-JUL-11
OEK 36 TKP 367
Oud. / Kalwers 10j.0m. / 8
Koei Doelt. 92
Koei/Speen Verh.: 45.31%
Gem SI/Kalf: / 0

NANDIT 060253 - SP
0063886469 -18-NOV-06- DNS: X0000109908

BUSHKLOOF RV 060053 - B
0063522742 - 19-NOV-06
OEK 34 TKP 408
Oud. / Kalwers 9j.6m. / 7
Koei/Speen Verh.: -%
Koei Doelt. -
Gem SI/Kalf: / 0

LEROYENDALL RY 060215 - B
0063035273 - 27-AUG-06- DNS: P812/07

LEROYENDALL RY 080048 - SP
0067446039 - 20-NOV-08
OEK 32 TKP 506
Oud. / Kalwers 12j.4m. / 8
Koei Doelt. 114
Koei/Speen Verh.: 50%
Gem SI/Kalf: 87 / 1

NANDIT 980148 - SP
0040900276 - 02-OCT-98- DNS: U157361
MODJADJI LEB 010515 - B
0044740900 - 01-MAY-01

TAFELSIG CS 030038 - B
0048959712 -08-JUL-03- DNS: U85708

BUSHKLOOF RV 040017 - A
0062606264 - 11-NOV-04

- JS94266 - SP
0046446126 -04-NOV-94- DNS: P3254/03

ELTEE LT 030023 - A
0048126429 - 27-OCT-03

RODS WRA 050019 - SP
0061089884 - 04-FEB-05

LEROYENDALL RY 060005 - B
0062712468 - 15-MAR-06

Seleksie W.	KALF GEMAK		MELK	KALFGROEI	ONDERHOUD		GROEI TOETS					VRUGBAARHEID			KOEI WAARDE	GROEI WAARDE	PRODUKSIE WAARDE
	100 ₄₀	40	107 ₂₇	97 ₅₃	101 ₁₆	Tipe groeipunt					118 ₄₇						
TW Ind	Geb gew	Geb Mat	Melk	Speen gew	Naspeen	Volw. gewig	GDT	Kleiber	VOV	Langte	Hoogte	SO	OEK	TKP	115 ₃₀	109 ₄₁	112 ₃₆
TW	-06 ₄₃	.32 ₂₆	2.1 ₂₇	.7 ₅₃	2.6 ₃₄	.9 ₁₆	-6.4 ₈	12.5 ₈	-	.6 ₉	-1.3 ₁₀	-8 ₁₀	-5.1 ₅₂	-5.1 ₃₂	In Vitro		
Telersopmerkings: 7,5M PREGNANT TO FF13-104. BULL CALF DUN21-46 SIRE FF13-104															Spoelings/Embrios/Kalwers: 0/0/0 Toetse: CA & TB Tested Inent. -		

LOT 14

0603085, LEOPARD RIDGE CONSERVANCY CC, T/A DUN NGUNIS,P.O. BOX 7007, GRAHAMSTOWN,6148,(T)083-655 5597



Name Ident. number Sex Section Reg. number Birth Date

WATERHOEK LRC 150026 FEMALE SP 0081972465 14-JUL-15

WATERHOEK LRC 150026 - SP
0081972465 - 14-JUL-15
AFC 37 ICP 378
Age / Calves 6yr.2m. / 4
Avg. WI/Calf: / 0
Cow Eff.: -
Cow/Wean Ratio: -%
CALVINGS
08/18 ,01/20 ,
11/20 ,10/21

GANNA MVN 100029 - SP
0071695100 -06-SEP-10- DNA: U236816



BUSHKLOOF RV 110005 - SP
0072725542 - 17-FEB-11

AFC 29 ICP 440
Age / Calves 10yr.9m. / 8
Cow Eff. -
Cow/Wean Ratio: -%
Avg. WI/Calf: / 0

COMPASSBERG KW 030033 - B
0049813025 -12-OCT-03- DNA: P0000071825

GANNA MVN 030008 - SP
0048035166 - 06-SEP-03
AFC 26 ICP 409
Age / Calves 11yr.1m. / 9
Cow/Wean Ratio: -%
Cow Eff. -
Avg. WI/Calf: 100 / 8

SEDIBALETSA ISF 060022 - SP
0064120652 - 15-NOV-06- DNA: U115126

BUSHKLOOF RV 080024 - SP
0066840315 - 01-AUG-08
AFC 31 ICP 445
Age / Calves 4yr.11m. / 3
Cow Eff. -
Cow/Wean Ratio: -%
Avg. WI/Calf: / 0

- H 970365 - A
0045505351 - 08-OCT-97- GEN: AS004903
- KW 980001 - A
0048529184 - 18-MAY-98

SINRAD JS 930257 - B
0028422319 -24-JUN-93- DNA: P519/04

GANNA MVN 960008 - SP
0039676309 - 20-JUL-96

BHETJANE FF 010136 - SP
0045377017 -13-OCT-01- DNA: X0000110589

SEDIBALETSA ISF 040012 - SP
0049403454 - 30-SEP-04

MODJADJI LEB 000115 - B
0044585099 - 12-OCT-00

BUSHKLOOF RV 020010 - SP
0046509683 - 05-OCT-02

Selection V.	CALVING EASE		MILK	CALF GRWTH	MAINTENANCE		GROWTH TEST					FERTILITY			COW VALUE	GROWTH VALUE	PRODUCTION VALUE
	104 ₃₅	89 ₃₈	102 ₄₂	102 ₂₅	Type					127 ₄₉							
BV Ind	Birth wght	Birth Mat	Milk	Wean wght	Post wean	Mature wght	ADG	Kleiber	FCR	Length	Height	SC	AFC	ICP	120 ₃₂	112 ₄₀	116 ₃₆
BV	-1 ₃₆	-1.18 ₃₁	-1.8 ₃₈	2.1 ₄₂	1.9 ₂₆	.6 ₂₅	-9.9 ₂₂	9.6 ₂₂	-	-2.9 ₂₄	-2 ₂₅	3.9 ₂₄	-35.4 ₅₅	-6.8 ₃₆	In Vitro		
Breeder's Remarks: 7,5M PREGNANT TO FF13-104. HEIFER CALF DUN21-48 SIRE FF13-104															Flushings/Embrios/Calves: 0/0/0 Tests: CA & TB Tested Vacc. -		

LOT 15

0603085, LEOPARD RIDGE CONSERVANCY CC, T/A DUN NGUNIS,P.O. BOX 7007, GRAHAMSTOWN,6148,(T)083-655 5597



Naam Ident. nommer Geslag Afdeling Reg. nommer Geboorte Datum

WATERHOEK LRC 150042 VROULIK SP 0082468968 04-AUG-15

LRC 150042

WATERHOEK LRC 150042 - SP
0082468968 - 04-AUG-15

OEK 41 TKP 533
Oud. / Kalwers 6j.3m. / 3
Gem SI/Kalf: / 0
Koei Doelt.: -
Koei/Speen Verh.: -%
KALWINGS
01/19 ,10/20 ,
12/21

BUSHKLOOF RV 110022 - B
0072858483 -21-APR-11- DNS: U163469



LEROYENDALL RY 060005 - B
0062712468 - 15-MAR-06

OEK 32 TKP 387
Oud. / Kalwers 15j.4m. / 13
Koei Doelt. -
Koei/Speen Verh.: -%
Gem SI/Kalf: 89 / 4

BUSHKLOOF RV 050035 - A
0066155581 -25-SEP-05- DNS: U115125

BUSHKLOOF RV 060026 - SP
0062807714 - 29-JUN-06

OEK 28 TKP 393
Oud. / Kalwers 12j.0m. / 10
Koei/Speen Verh.: -%
Koei Doelt. -
Gem SI/Kalf: / 0

ELTEE LT 990006 - SP
0044515641 - 21-NOV-99

LEROYENDALL RY 020084 - A
0061877999 - 15-OCT-02

OEK - TKP -
Oud. / Kalwers 3j.5m. / 1
Koei Doelt. -
Koei/Speen Verh.: -%
Gem SI/Kalf: / 0

MORGAN AZ 000012 - B
0043925320- 10-OCT-00

MODJADJI LEB 000115 - B
0044585099 -12-OCT-00

BUSHKLOOF RV 030015 - SP
0048258594 - 26-OCT-03

MORGAN AZ 960096 - B
0038166179 -08-NOV-96

MORGAN AZ 960122 - SP
0038166369 - 20-NOV-96

Seleksie W.	KALF GEMAK		MELK	KALFGROEI	ONDERHOUD		GROEI TOETS					VRUGBAARHEID			KOEI WAAARDE	GROEI WAAARDE	PRODUKSIE WAAARDE
	103 ⁴²	87 ⁴⁴	103 ⁴⁰	109 ²⁷	Tipe groeipunt					112 ⁴⁷							
TW Ind	Geb gew	Geb Mat	Melk	Speen gew	Naspeen	Volw. gewig	GDT	Kleiber	VOV	Lengte	Hoogte	SO	OEK	TKP	108 ³³	108 ⁴⁰	108 ³⁶
TW	-02 ⁴²	-28 ⁴¹	-2.4 ⁴⁴	2.6 ⁴⁰	3.3 ²²	-2 ²⁷	-3.4 ¹⁰	14.7 ¹⁰	-	3.5 ¹¹	1.7 ¹¹	.6 ¹¹	-7.9 ⁵⁴	-3.1 ³¹	In Vitro		
Telersopmerkings: 2,5M PREG TV15-548/FF13-104. HEIFER CALF - DUN21-59 - SIRE FF13-104															Spoelings/Embrios/Kalwers: 0/0/0 Toetse: CA & TB Tested Inent. -		

LOT 16

0603085, LEOPARD RIDGE CONSERVANCY CC, T/A DUN NGUNIS,P.O. BOX 7007, GRAHAMSTOWN,6148,(T)083-655 5597



Name Ident. number Sex Section Reg. number Birth Date

WATERHOEK LRC 160076 FEMALE SP 0084464007 11-OCT-16

LRC 160076

WATERHOEK LRC 160076 - SP
0084464007 - 11-OCT-16

AFC 28 ICP 471
Age / Calves 4yr.10m. / 3
Avg. WI/Calf: / 0
Cow Eff.: -
Cow/Wean Ratio: -%
CALVINGS
02/19 ,09/20 ,
09/21

KAPOKBERG DH 110016 - B
0072898752 -28-JAN-11- DNA: U237008



WATERHOEK LRC 140022 - SP
0079870291 - 22-JUN-14

AFC 28 ICP -
Age / Calves 2yr.3m. / 1
Cow Eff. -
Cow/Wean Ratio: -%
Avg. WI/Calf: / 0

SPENCE RT 050008 - A
0049765282 -26-FEB-05- DNA: X0000094712

SPENCE RT 070080 - B
0065277402 - 17-OCT-07

AFC 39 ICP 361
Age / Calves 4yr.3m. / 2
Cow/Wean Ratio: 45.03%
Cow Eff. 105
Avg. WI/Calf: / 0

BHETJANE FF 090187 - SP
0070049911 - 02-NOV-09- DNA: U156155

QHINA Q 100028 - SP
0070640404 - 30-APR-10

AFC 27 ICP 365
Age / Calves 8yr.3m. / 7
Cow Eff. 100
Cow/Wean Ratio: 39.73%
Avg. WI/Calf: / 0

--- MS
0135431189- 01-JAN-40

ELTEE LT 990008 - SP
0044515674 - 05-DEC-99

HENHAM HW 990019 - SP
0043126051 -07-OCT-99- DNA: X0000071822

ELTEE LT 030044 - A
0048126460 - 19-DEC-03

MODJADJI LEB 000115 - B
0044585099 -12-OCT-00

BHETJANE FF 030167 - B
0048056923 - 31-DEC-03

KLEINZUURBRON LP 030094 - SP
0047666573- 24-JUN-03- GEN: AS003071

CIRCLE A BN 060533 - B
0063562979 - 08-NOV-06

Selection V.	CALVING EASE		MILK	CALF GRWTH	MAINTENANCE		GROWTH TEST					FERTILITY			COW VALUE	GROWTH VALUE	PRODUCTION VALUE
	79 ²⁸	94 ²⁹	128 ³⁶	82 ¹⁹	Type					120 ⁴⁴							
BV Ind	Birth wght	Birth Mat	Milk	Wean wght	Post wean	Mature wght	ADG	Kleiber	FCR	Length	Height	SC	AFC	ICP	116 ²⁷	120 ³⁴	119 ³⁰
BV	1.05 ²⁹	.01 ²⁶	-9.29	11 ³⁶	14.2 ²⁴	18.2 ¹⁹	51 ¹⁸	54 ¹⁸	-	19.2 ²¹	10.6 ²²	12 ²¹	-9.1 ⁵³	-5.4 ²⁹	In Vitro		
Breeder's Remarks: 6M PREGNANT TO FF13-104. HEIFER CALF DUN21-36 SIRE FF13-104															Flushings/Embrios/Calves: 0/0/0 Tests: CA & TB Tested Vacc. -		

LOT 17

0603085, LEOPARD RIDGE CONSERVANCY CC, T/A DUN NGUNIS,P.O. BOX 7007, GRAHAMSTOWN,6148,(T)083-655 5597



Naam Ident. nommer Geslag Afdeling Reg. nommer Geboorte Datum

WATERHOEK LRC 160087 VROULIK SP 0084464023 29-OCT-16

LRC 160087

WATERHOEK LRC 160087 - SP
0084464023 - 29-OCT-16

OEK **34** TKP **412**
Oud. / Kalwers **5j.0m. / 3**
Gem SI/Kalf: **/ 0**
Koei Doelt.: **-**
Koei/Speen Verh.: **-%**
KALWINGS
08/19 ,11/20 ,
11/21

BUSHKLOOF RV 060011 - B
0062426291 -04-APR-06- DNS: U147562



LEROYENDALL RY 060005 - B
0062712468 - 15-MAR-06

OEK **32** TKP **387**
Oud. / Kalwers **15j.4m. / 13**
Koei Doelt. **-**
Koei/Speen Verh.: **-%**
Gem SI/Kalf: **89 / 4**

MODJADJI LEB 000115 - B
0044585099 -12-OCT-00

TRENPARK U 030006 - A
0048238224 - 11-JAN-03

OEK **-** TKP **454**
Oud. / Kalwers **6j.11m. / 4**
Koei/Speen Verh.: **-%**
Koei Doelt. **-**
Gem SI/Kalf: **/ 0**

ELTEE LT 990006 - SP
0044515641 - 21-NOV-99

LEROYENDALL RY 020084 - A
0061877999 - 15-OCT-02

OEK **-** TKP **-**
Oud. / Kalwers **3j.5m. / 1**
Koei Doelt. **-**
Koei/Speen Verh.: **-%**
Gem SI/Kalf: **/ 0**

MODJADJI LEB 960892 - SP
0037869252- 29-NOV-96- DNS: P2178/05
MODJADJI LEB 950109 - A
0041208497 - 01-JAN-95

MORGAN AZ 960096 - B
0038166179 -08-NOV-96

MORGAN AZ 960122 - SP
0038166369 - 20-NOV-96

Seleksie W.	KALF GEMAK		MELK	KALFGROEI	ONDERHOUD		GROEI TOETS					VRUGBAARHEID			KOEI WAARDE	GROEI WAARDE	PRODUKSIE WAARDE
	88 ₄₈	82 ₄₅	113 ₄₁	100 ₃₀	Tipe groeipunt					119 ₄₇							
TW Ind	Geb gew	Geb Mat	Melk	Speen gew	Naspeen	Volw. gewig	GDT	Kleiber	VOV	Lengte	Hoogte	SO	OEK	TKP	112 ₃₄	115 ₄₂	114 ₃₈
TW	.57 ₄₈	.09 ₄₅	-3.4 ₄₅	5.9 ₄₁	8.2 ₂₅	2.3 ₃₀	-4.9 ₂₁	12.7 ₂₁	-	4.6 ₂₂	.9 ₂₃	2 ₂₃	1 ₅₃	-7 ₃₂	In Vitro		
Telersopmerkinge: 3,5M PREGNANT TO FF13-104. BULL CALF DUN21-64 SIRE FF13-104														Spoelings/Embrios/Kalwers: 0/0/0 Toetse: CA & TB Tested Inent. -			

LOT 18

0603085, LEOPARD RIDGE CONSERVANCY CC, T/A DUN NGUNIS,P.O. BOX 7007, GRAHAMSTOWN,6148,(T)083-655 5597



Name Ident. number Sex Section Reg. number Birth Date

WATERHOEK LRC 170026 FEMALE A 0086182540 10-AUG-17

LRC 170026

WATERHOEK LRC 170026 - A
0086182540 - 10-AUG-17

AFC **38** ICP **401**
Age / Calves **4yr.3m. / 2**
Avg. WI/Calf: **/ 0**
Cow Eff.: **-**
Cow/Wean Ratio: **-%**
CALVINGS
10/20 ,11/21

--- MS
0135431189 -01-JAN-40



MAK MAK 090350 - A
00669321644 - 08-OCT-09

AFC **33** ICP **417**
Age / Calves **11yr.10m. / 9**
Cow Eff. **-**
Cow/Wean Ratio: **-%**
Avg. WI/Calf: **/ 0**

- MAK 030188 - FR
0066341447- 15-OCT-03- DNA: U97205

- MAK 010066 - A
0066341744 - 15-OCT-01

AFC **-** ICP **353**
Age / Calves **12yr.10m. / 7**
Cow Eff. **-**
Cow/Wean Ratio: **-%**
Avg. WI/Calf: **/ 0**

Selection V.	CALVING EASE		MILK	CALF GRWTH	MAINTENANCE		GROWTH TEST					FERTILITY			COW VALUE	GROWTH VALUE	PRODUCTION VALUE
	97 ₁₅	96 ₁₄	97 ₁₅	Type					96 ₂₃								
BV Ind	Birth wght	Birth Mat	Milk	Wean wght	Post wean	Mature wght	ADG	Kleiber	FCR	Length	Height	SC	AFC	ICP	-	-	-
BV	.27 ₁₆	-.24 ₁₃	-.3 ₁₄	.4 ₁₅	-	-	-	-	-	-	-	-	94	99	-	-	-
Breeder's Remarks: 3M PREG TO FF13-104/TV15-548. BULL CALF DUN21-57 SIRE TV15-548														In Vitro			
Flushings/Embrios/Calves: 0/0/0 Tests: CA & TB Tested Vacc. -																	

LOT 19

0603085, LEOPARD RIDGE CONSERVANCY CC, T/A DUN NGUNIS,P.O. BOX 7007, GRAHAMSTOWN,6148,(T)083-655 5597



Naam Ident. nommer Geslag Afdeling Reg. nommer Geboorte Datum

WATERHOEK LRC 180052 **LRC 180052** **VROULIK SP** **0088636154** **24-NOV-18**

WATERHOEK LRC 180052 - SP
0088636154 - 24-NOV-18
OEK 34 TKP -
Oud. / Kalwers 2j.10m. / 1
Gem SI/Kalf: / 0
Koei Doelt.: -
Koei/Speen Verh.: -%
KALWINGS
09/21

BHETJANE FF 130104 - SP
0078886504 -08-NOV-13- DNS: U369376



QHINA Q 110041 - SP
0072909740 - 07-MAY-11
OEK 28 TKP 448
Oud. / Kalwers 9j.8m. / 7
Koei Doelt. -
Koei/Speen Verh.: -%
Gem SI/Kalf: / 0

BHETJANE FF 050023 - SP
0061992715 -25-SEP-05- DNS: U1386071

WALT GF 070097 - SP
0065235574 - 11-OCT-07

OEK 25 TKP 371
Oud. / Kalwers 8j.2m. / 7
Koei/Speen Verh.: 52.33%
Koei Doelt. 107
Gem SI/Kalf: 105 / 7

KIRSTEN SK 060038 - B
0063569404- 09-OCT-06- DNS: U163969

QHINA Q 080083 - SP
0067553347 - 29-OCT-08

OEK 30 TKP 385
Oud. / Kalwers 8j.10m. / 7
Koei Doelt. 102
Koei/Speen Verh.: 46.84%
Gem SI/Kalf: / 0

BHETJANE FF 970037 - SP
0038512471- 14-MAY-97- DNS: P680/05
BHETJANE FF 970004 - B
0038512141 - 08-APR-97

WALT GF 010147 - SP
0045464153 -22-NOV-01- DNS: U151449

WALT GF 060018 - SP
0062584776 - 18-FEB-06

- SK 980010 - A
0061494829 -30-DEC-98

KIRSTEN SK 020004 - A
0049794944 - 30-DEC-02

QHINA Q 040013 - SP
0049382047- 01-NOV-04

QHINA Q 050021 - SP
0061496931 - 15-SEP-05

Seleksie W.	KALF GEMAK		MELK	KALFGROEI	ONDERHOUD		GROEI TOETS					VRUGBAARHEID			KOEI WAAARDE	GROEI WAAARDE	PRODUKSIE WAAARDE
	★★★★		★★★★	★★★★	★★★★		Tipe groeipunt					★★★★					
	94 ₄₂		98 ₃₉	111 ₄₇	92 ₃₂		GDT	Kleiber	VOV	Lengte	Hoogte	SO	OEK	TKP	111 ₄₁		
TW Ind	95	96	98	111	109	107	115	119	-	111	109	107	103	108	107 ₃₂	109 ₄₂	108 ₃₇
TW	.27 ₄₄	.12 ₂₉	.1 ₃₉	5.2 ₄₇	6.9 ₃₆	8.3 ₃₂	33.5 ₃₁	48.2 ₃₁	-	9.5 ₃₅	4.1 ₃₇	5 ₃₆	-6.7 ₅₀	-3.8 ₂₅	In Vitro		
Tellersopmerkings: 2,5M PREG TO FF13-104/T17-86. HEIFER CALF DUN21-47 SIRE FF13-104															Spoelings/Embrios/Kalwers: 0/0/0 Toetse: CA & TB Tested Inent. -		

LOT 20

0603085, LEOPARD RIDGE CONSERVANCY CC, T/A DUN NGUNIS,P.O. BOX 7007, GRAHAMSTOWN,6148,(T)083-655 5597



Name Ident. number Sex Section Reg. number Birth Date

MATATANA NH 170011 **NH 170011** **FEMALE SP** **0085751782** **27-AUG-17**

MATATANA NH 170011 - SP
0085751782 - 27-AUG-17
AFC 36 ICP 506
Age / Calves 4yr.4m. / 2
Avg. WI/Calf: / 0
Cow Eff.: -
Cow/Wean Ratio: -%
CALVINGS
09/20 ,01/22

KLEINZUURBRON LP 130013 - B
0077109007 -11-APR-13- DNA: U392381



CIRCLE A BN 120318 - SP
0074258724 - 02-JAN-12

AFC 28 ICP 361
Age / Calves 9yr.2m. / 8
Cow Eff. -
Cow/Wean Ratio: -%
Avg. WI/Calf: / 0

MAK MAK 080271 - A
0067508507 -28-OCT-08- DNA: U169869

KLEINZUURBRON LP 010414 - A
0049431133 - 11-JUL-01

AFC - ICP 453
Age / Calves 12yr.11m. / 9
Cow/Wean Ratio: -%
Cow Eff. -
Avg. WI/Calf: / 0

- CSN070216N - SP
0072064447- 20-MAR-07

- CSN090098N - SP
0072064272 - 07-JAN-09

AFC - ICP 348
Age / Calves 5yr.10m. / 4
Cow Eff. -
Cow/Wean Ratio: -%
Avg. WI/Calf: 90 / 2

- MAK 030188 - FR
0066341447- 15-OCT-03- DNA: U97205

- MAK 980118 - A
0066341983 - 15-OCT-98

- CSN020323 - B
0064747967 -18-NOV-02

- CSN050103 - SP
0072063704 - 13-MAR-05

- MSN970409 - B
0062832399- 15-OCT-97

- CSN050099 - B
0070314646 - 05-FEB-05

Selection V.	CALVING EASE		MILK	CALF GRWTH	MAINTENANCE		GROWTH TEST					FERTILITY			COW VALUE	GROWTH VALUE	PRODUCTION VALUE
	★★★★		★★★★	★★	★★★★		Type					★★★★					
	96 ₃₃		99 ₂₁	89 ₂₈	111 ₅		ADG	Kleiber	FCR	Length	Height	SC	AFC	ICP	107 ₃₆		
BV Ind	94	107	99	89	88	91	83	84	-	87	86	75	116	104	103 ₂₀	96 ₂₆	99 ₂₃
BV	.3 ₃₄	-2 ₂₈	.3 ₂₁	-2.1 ₂₈	-3.1 ₈	-4.3 ₅	-32.2 ₉	-6.6 ₉	-	-6.4 ₁₁	-5.8 ₁₁	-6.8 ₁₁	-16.4 ₃₈	-2.8 ₂₁	In Vitro		
Breeder's Remarks: 2,5M PREG TO FF13-104/T17-86. BULL CALF DUN22-5 SIRE FF13-104															Flushings/Embrios/Calves: 0/0/0 Tests: CA & TB Tested Vacc. -		

LOT 21

0603085, LEOPARD RIDGE CONSERVANCY CC, T/A DUN NGUNIS,P.O. BOX 7007, GRAHAMSTOWN,6148,(T)083-655 5597



Naam Ident. nommer Geslag Afdeling Reg. nommer Geboorte Datum
BONTVOET NN 180016 VROULIK SP 0086917804 03-APR-18
ETJANE

BONTVOET NN 180016 - SP
 0086917804 - 03-APR-18
 OEK 32 TKP 349
 Oud. / Kalwers 3j.7m. / 2
 Gem SI/Kalf: / 0
 Koei Doelt.: -
 Koei/Speen Verh.: -%
 KALWINGS
 11/20 ,11/21

BHETJANE FF 100242 - SP
 0072002868 -22-OCT-10- DNS: U275885



BHETJANE FF 100087 - SP
 0072214125 - 26-OCT-10
 OEK 31 TKP 348
 Oud. / Kalwers 10j.2m. / 9
 Koei Doelt. 85
 Koei/Speen Verh.: 36.89%
 Gem SI/Kalf: 91 / 1

MODJADJI LEB 000115 - B
 0044585099 -12-OCT-00

BHETJANE FF 030163 - SP
 0048056881 - 17-DEC-03
 OEK 24 TKP 364
 Oud. / Kalwers 10j.11m. / 10
 Koei/Speen Verh.: 40.75%
 Koei Doelt. 101
 Gem SI/Kalf: 101 / 9

BHETJANE FF 070080 - SP
 0065475188- 11-OCT-07- DNS: P1597/10

BHETJANE FF 080047 - SP
 0067142935 - 28-SEP-08
 OEK 25 TKP 372
 Oud. / Kalwers 6j.1m. / 5
 Koei Doelt. 113
 Koei/Speen Verh.: 56%
 Gem SI/Kalf: 95 / 4

MODJADJI LEB 960892 - SP
 0037869252- 29-NOV-96- DNS: P2178/05

MODJADJI LEB 950109 - A
 0041208497 - 01-JAN-95

BHETJANE FF 950074 - B
 0034327304 -24-JUL-95

BHETJANE FF 990037 - SP
 0043111889 - 10-MAY-99

BHETJANE FF 020127 - SP
 0046856944 -22-OCT-02- DNS: P843/07

BHETJANE FF 010093 - SP
 0045197530 - 23-SEP-01

BHETJANE FF 050023 - SP
 0061992715- 25-SEP-05- DNS: U1386071

BHETJANE FF 000050 - B
 0043616549 - 05-SEP-00

Seleksie W.	KALF GEMAK		MELK	KALFGROEI	ONDERHOUD		GROEI TOETS					VRUGBAARHEID			KOEI WAARDE	GROEI WAARDE	PRODUKSIE WAARDE
	106 ₃₆	85 ₄₃	106 ₅₃	92 ₃₂	Tipe groeipunt					89 ₄₁							
TW Ind	Geb gew	Geb Mat	Melk	Speen gew	Naspeen	Volw. gewig	GDT	Kleiber	VOV	Langte	Hoogte	SO	OEK	TKP	82 ₃₃	89 ₄₅	84 ₃₉
TW	-17 ₃₆	-22 ₃₃	-2.8 ₄₃	3.7 ₅₃	4.7 ₃₀	8.3 ₃₂	-5 ₃₅	15.5 ₃₅	-	-1.6 ₃₉	-1.5 ₄₁	10.2 ₄₀	15.1 ₄₃	-2.2 ₂₉	In Vitro		
Telersopmerkings: 4M PREGNANT TO FF13-104. BULL CALF DUN21-54 SIRE FF13-104)															Spoelings/Embrios/Kalwers: 0/0/0 Toetse: CA & TB tested Inent. -		

LOT 22

0603085, LEOPARD RIDGE CONSERVANCY CC, T/A DUN NGUNIS,P.O. BOX 7007, GRAHAMSTOWN,6148,(T)083-655 5597



Name Ident. number Sex Section Reg. number Birth Date
NTSIKIZI PH 110054 FEMALE SP 0073345027 31-JUL-11
THEMBISA

NTSIKIZI PH 110054 - SP
 0073345027 - 31-JUL-11
 AFC 38 ICP 374
 Age / Calves 10yr.4m. / 8
 Avg. WI/Calf: / 0
 Cow Eff.: 97
 Cow/Wean Ratio: 46.13%
 CALVINGS
 10/14 ,09/15 ,
 10/16 ,09/17 ,
 10/18 ,11/19 ,
 11/20 ,12/21

NTSIKIZI PH 050171 - B
 0061897906 -13-DEC-05- DNA: U85699



NTSIKIZI PH 080082 - SP
 0067043760 - 02-OCT-08
 AFC 34 ICP 381
 Age / Calves 11yr.2m. / 9
 Cow Eff. 102
 Cow/Wean Ratio: 56.36%
 Avg. WI/Calf: 106 / 7

- H 970365 - A
 0045505351 -08-OCT-97- GEN: AS004903

NTSIKIZI PH 020014 - SP
 0046408738 - 26-MAY-02
 AFC 31 ICP 357
 Age / Calves 10yr.4m. / 9
 Cow/Wean Ratio: 38.76%
 Cow Eff. -
 Avg. WI/Calf: 106 / 8

NTSIKIZI PH 020009 - SP
 0045889722- 03-APR-02- DNA: U31162

NTSIKIZI PH 050004 - B
 0049611288 - 04-FEB-05
 AFC 32 ICP 439
 Age / Calves 14yr.8m. / 11
 Cow Eff. 102
 Cow/Wean Ratio: 46.48%
 Avg. WI/Calf: 102 / 7

HENHAM HW 960016 - B
 0037243128 -30-OCT-96- DNA: U31126
- NL 990025 - B
 0043382654 - 12-FEB-99

CAREFREE C 920043 - B
 0027184431 -01-NOV-92- DNA: X0000031122

- H 960338 - B
 0043575778 - 17-JUN-96

- H 970365 - A
 0045505351- 08-OCT-97- GEN: AS004903

NTSIKIZI PH 990002 - B
 0043496264 - 01-DEC-99

Selection V.	CALVING EASE		MILK	CALF GRWTH	MAINTENANCE		GROWTH TEST					FERTILITY			COW VALUE	GROWTH VALUE	PRODUCTION VALUE
	95 ₆₂	98 ₅₆	112 ₇₁	115 ₃₈	Type					96 ₅₁							
BV Ind	Birth wght	Birth Mat	Milk	Wean wght	Post wean	Mature wght	ADG	Kleiber	FCR	Length	Height	SC	AFC	ICP	105 ₄₃	120 ₅₈	113 ₅₀
BV	.24 ₆₈	.07 ₃₅	0 ₅₆	5.6 ₇₁	4 ₆₂	-7.6 ₃₈	-	-	-	-	-	-	88	107	In Vitro		
Breeder's Remarks: 3,5M PREGNANT TO FF13-104. BULL CALF DUN21-62 SIRE FF13-104															Flushings/Embrios/Calves: 0/0/0 Tests: CA & TB Tested Vacc. -		

LOT 23

0603085, LEOPARD RIDGE CONSERVANCY CC, T/A DUN NGUNIS,P.O. BOX 7007, GRAHAMSTOWN,6148,(T)083-655 5597



Naam Ident. nommer Geslag Afdeling Reg. nommer Geboorte Datum

BUSHKLOOF **RV 130045** **VROULIK A** **0078112356** **10-SEP-13**

BUSHKLOOF RV 130045 - A
0078112356 - 10-SEP-13
OEK 35 TKP 461
Oud. / Kalwers 7j.11m. / 5
Gem SI/Kalf: / 0
Koei Doelt.: -
Koei/Speen Verh.: -%
KALWINGS
08/16 ,12/17 ,
05/19 ,07/20 ,
09/21

SEDIBALETSA ISF 060022 - SP
0064120652 -15-NOV-06- DNS: U115126



- RV 010030 - FR
0064405434 - 15-OCT-01
OEK - TKP 419
Oud. / Kalwers 11j.10m. / 6
Koei Doelt. -
Koei/Speen Verh.: -%
Gem SI/Kalf: / 0

BHETJANE FF 010136 - SP
0045377017 -13-OCT-01- DNS: X0000110589

SEDIBALETSA ISF 040012 - SP
0049403454 - 30-SEP-04
OEK 26 TKP 367
Oud. / Kalwers 12j.1m. / 11
Koei/Speen Verh.: -%
Koei Doelt. -
Gem SI/Kalf: 98 / 3

BHETJANE FF 940037 - B
0029931961- 01-MAY-94
BHETJANE FF 970066 - B
0038512786 - 13-JUN-97

BHETJANE FF 960006 - B
0036921443 -15-FEB-96

- MTN 000392 - SP
0044508729 - 01-MAR-00

Seleksie W.	KALF GEMAK		MELK	KALFGROEI	ONDERHOUD	GROEI TOETS					VRUGBAARHEID			KOEI WAARDE	GROEI WAARDE	PRODUKSIE WAARDE	
	105 ₄₈	92 ₃₂	95 ₂₉	108 ₁₉	Tipe groeipunt					103 ₄₄							
TW Ind	Geb gew	Geb Mat	Melk	Speen gew	Naspeen	Volw. gewig	GDT	Kleiber	VOV	Lengte	Hoogte	SO	OEK	TKP	98 ₂₇	96 ₃₃	96 ₃₀
TW	-14 ₄₈	-22 ₄₅	-1.2 ₃₂	-2 ₂₉	-1.2 ₁₈	-1.8 ₁₉	-25.4 ₁₃	-5.7 ₁₃	-	-3.7 ₁₄	-2.5 ₁₄	.3 ₁₄	-13 ₄₆	-2.5 ₂₈	In Vitro		
Telersopmerkinge: 7M PREGNANT TO FF13-104. HEIFER CALF DUN21-35 SIRE FF13-104															Spoelings/Embrios/Kalwers: 0/0/0 Toetse: CA & TB Tested Inent. -		

LOT 24

0603085, LEOPARD RIDGE CONSERVANCY CC, T/A DUN NGUNIS,P.O. BOX 7007, GRAHAMSTOWN,6148,(T)083-655 5597



Name Ident. number Sex Section Reg. number Birth Date

BUSHKLOOF **RV 130069** **FEMALE SP** **0078468139** **26-OCT-13**

BUSHKLOOF RV 130069 - SP
0078468139 - 26-OCT-13
AFC 32 ICP 394
Age / Calves 8yr.1m. / 6
Avg. Wl/Calf: / 0
Cow Eff.: -
Cow/Wean Ratio: -%
CALVINGS
07/16 ,07/17 ,
07/18 ,08/19 ,
11/20 ,11/21

NANDI T 060253 - SP
0063886469 -18-NOV-06- DNA: X0000109908



BUSHKLOOF RV 100001 - B
0070074299 - 02-JAN-10

AFC 32 ICP 439
Age / Calves 7yr.5m. / 5
Cow Eff. -
Cow/Wean Ratio: -%
Avg. Wl/Calf: / 0

NANDI T 980148 - SP
0040900276 -02-OCT-98- DNA: U157361

MODJADJI LEB 010515 - B
0044740900 - 01-MAY-01
AFC 41 ICP 371
Age / Calves 13yr.7m. / 11
Cow/Wean Ratio: -%
Cow Eff. -
Avg. Wl/Calf: 125 / 2

SEDIBALETSA ISF 060022 - SP
0064120652- 15-NOV-06- DNA: U115126

BUSHKLOOF RV 070028 - A
0064627573 - 16-JUN-07
AFC 31 ICP 438
Age / Calves 6yr.1m. / 4
Cow Eff. -
Cow/Wean Ratio: -%
Avg. Wl/Calf: / 0

NANDI T 940379 - SP
0032842908- 04-NOV-94
NANDI T 860006 - B
0011432861 - 01-JUL-86

MODJADJI LEB 920085 - A
0043532118 -29-MAR-92
MODJADJI LEB 950516 - A
0041207861 - 01-JAN-95

BHETJANE FF 010136 - SP
0045377017 -13-OCT-01- DNA: X0000110589

SEDIBALETSA ISF 040012 - SP
0049403454 - 30-SEP-04

MODJADJI LEB 000115 - B
0044585099- 12-OCT-00

- RV 010051 - A
0064405442 - 15-OCT-01

Selection V.	CALVING EASE		MILK	CALF GRWTH	MAINTENANCE	GROWTH TEST					FERTILITY			COW VALUE	GROWTH VALUE	PRODUCTION VALUE	
	106 ₄₂	108 ₃₃	92 ₃₇	98 ₂₀	Type					120 ₅₃							
BV Ind	Birth wght	Birth Mat	Milk	Wean wght	Post wean	Mature wght	ADG	Kleiber	FCR	Length	Height	SC	AFC	ICP	114 ₃₁	102 ₃₈	108 ₃₄
BV	-2 ₄₅	-09 ₃₀	2.1 ₃₃	-1.1 ₃₇	-9 ₂₀	2.7 ₂₀	-4.3 ₁₉	14.8 ₁₉	-	-1 ₂₀	-2.9 ₂₁	1.9 ₂₁	-3.1 ₅₈	-5.9 ₄₀	In Vitro		
Breeder's Remarks: 3,5M PREGNANT TO FF13-104. BULL CALF DUN21-65 SIRE FF13-104															Flushings/Embrios/Calves: 0/0/0 Tests: CA & TB Tested Vacc. -		

LOT 25

0603085, LEOPARD RIDGE CONSERVANCY CC, T/A DUN NGUNIS,P.O. BOX 7007, GRAHAMSTOWN,6148,(T)083-655 5597



Naam Ident. nommer Geslag Afdeling Reg. nommer Geboorte Datum

BUSHKLOOF RV 150042 VROULIK SP 0082790056 02-NOV-15

BUSHKLOOF RV 150042

BUSHKLOOF RV 150042 - SP
0082790056 - 02-NOV-15

OEK 36 TKP 365
Oud. / Kalwers 6j.0m. / 4
Gem SI/Kalf: / 0
Koei Doelt.: -
Koei/Speen Verh.: -%
KALWINGS
11/18 ,12/19 ,
11/20 ,11/21

SEDIBALETSA ISF 060022 - SP
0064120652 -15-NOV-06- DNS: U115126



BUSHKLOOF RV 090063 - B
0069865954 - 07-DEC-09

OEK 31 TKP 391
Oud. / Kalwers 9j.0m. / 7
Koei Doelt. -
Koei/Speen Verh.: -%
Gem SI/Kalf: / 0

BHETJANE FF 010136 - SP
0045377017 -13-OCT-01- DNS: X0000110589

SEDIBALETSA ISF 040012 - SP
0049403454 - 30-SEP-04

OEK 26 TKP 367
Oud. / Kalwers 12j.1m. / 11
Koei/Speen Verh.: -%
Koei Doelt. -
Gem SI/Kalf: 98 / 3

BHETJANE FF 020159 - B
0046859443- 05-DEC-02- DNS: X0000109906

TRENPARK U 990026 - A
0046028890 - 01-NOV-99

OEK - TKP 428
Oud. / Kalwers 11j.2m. / 8
Koei Doelt. -
Koei/Speen Verh.: -%
Gem SI/Kalf: / 0

BHETJANE FF 940037 - B

0029931961- 01-MAY-94
BHETJANE FF 970066 - B
0038512786 - 13-JUN-97

BHETJANE FF 960006 - B

0036921443 -15-FEB-96
- MTN 000392 - SP
0044508729 - 01-MAR-00

BHETJANE FF 970037 - SP

0038512471 -14-MAY-97- DNS: P680/05

BHETJANE FF 880041 - A

0022466163 - 01-JAN-88

Seleksie W.	KALF GEMAK		MELK	KALFGROEI	ONDERHOUD		GROEI TOETS					VRUGBAARHEID			KOEI WAAARDE	GROEI WAAARDE	PRODUKSIE WAAARDE
	★★★★	★★★	★★	★★★★	Tipe groeipunt					★★★★							
	119 ₅₁	86 ₄₀	86 ₃₉	112 ₂₇	GDT	Kleiber	VOV	Langte	Hoogte	SO	OEK	TKP	113 ₃₂	97 ₄₀	104 ₃₆		
TW Ind	115	108	86	86	86	90	78	78	-	81	85	99	132	115	113 ₃₂	97 ₄₀	104 ₃₆
TW	-8 ₅₃	-21 ₄₃	-2.5 ₄₀	-3.3 ₃₉	-4.2 ₂₄	-4.9 ₂₇	-42.3 ₂₀	-16.6 ₂₀	-	-10.9 ₂₁	-6.7 ₂₂	1.9 ₂₂	-29.4 ₅₂	-5.3 ₃₄	In Vitro		
Telersopmerkings: 4,5M PREGNANT TO FF13-104. HEIFER CALF DUN21-53 SIRE FF13-104													Spoelings/Embrios/Kalwers: 0/0/0 Toetse: CA & TB Tested Inent. -				

LOT 26

0603085, LEOPARD RIDGE CONSERVANCY CC, T/A DUN NGUNIS,P.O. BOX 7007, GRAHAMSTOWN,6148,(T)083-655 5597



Name Ident. number Sex Section Reg. number Birth Date

BUSHKLOOF RV 160043 FEMALE SP 0084004365 02-AUG-16

BUSHKLOOF RV 160043

BUSHKLOOF RV 160043 - SP
0084004365 - 02-AUG-16

AFC 35 ICP 428
Age / Calves 5yr.3m. / 3
Avg. WI/Calf: / 0
Cow Eff.: -
Cow/Wean Ratio: -%
CALVINGS
07/19 ,11/20 ,
11/21

QHINA Q 100041 - B
0071287817 -30-JUL-10- DNA: U163973



BUSHKLOOF RV 140010 - SP
0079381257 - 24-MAR-14

AFC 28 ICP -
Age / Calves 2yr.4m. / 1
Cow Eff. -
Cow/Wean Ratio: -%
Avg. WI/Calf: / 0

KIRSTEN SK 060038 - B
0063569404 -09-OCT-06- DNA: U163969

QHINA Q 080003 - A
0065940538 - 24-JAN-08

AFC 30 ICP 369
Age / Calves 6yr.6m. / 5
Cow/Wean Ratio: 46.27%
Cow Eff. 105
Avg. WI/Calf: 100 / 5

SEDIBALETSA ISF 060022 - SP
0064120652- 15-NOV-06- DNA: U115126

BUSHKLOOF RV 030074 - SP
0049075401 - 19-NOV-03

AFC 28 ICP 364
Age / Calves 11yr.3m. / 10
Cow Eff. -
Cow/Wean Ratio: -%
Avg. WI/Calf: / 0

- SK 980010 - A

0061494829 -30-DEC-98
KIRSTEN SK 020004 - A
0049794944 - 30-DEC-02

QHINA Q 040013 - SP

0049382047 -01-NOV-04
QHINA Q 050057 - FR
0065667487 - 27-NOV-05

BHETJANE FF 010136 - SP

0045377017 -13-OCT-01- DNA: X0000110589

SEDIBALETSA ISF 040012 - SP

0049403454 - 30-SEP-04

AMATOLE FHU 940008 - B

0032946402- 17-SEP-94- BLD: P162701

MORGAN AZ 940095 - B

0029498052 - 13-JAN-94

Selection V.	CALVING EASE		MILK	CALF GRWTH	MAINTENANCE		GROWTH TEST					FERTILITY			COW VALUE	GROWTH VALUE	PRODUCTION VALUE	
	★★	★★★	★★★	★★★	Type					★★★★								
	87 ₄₅	96 ₃₆	101 ₄₃	106 ₂₄	Birth wght	Birth Mat	Milk	Wean wght	Post wean	Mature wght	ADG	Kleiber	FCR	Length	Height	SC	AFC	ICP
BV Ind	87	102	96	101	97	95	87	87	-	88	91	90	111	116	112 ₃₀	108 ₃₉	110 ₃₄	
BV	.69 ₄₇	-.05 ₃₄	-4.36	1.8 ₄₃	1 ₃₂	-6.24	-25 ₇	-1.3 ₇	-	-6 ₈	-3.9 ₈	-1.2 ₈	-13.48	-5.628	In Vitro			
Breeder's Remarks: 3,5M PREGNANT TO FF13-104. BULL CALF DUN21-61 SIRE FF13-104													Flushings/Embrios/Calves: 0/0/0 Tests: CA & TB Tested Vacc. -					

LOT 27

0603085, LEOPARD RIDGE CONSERVANCY CC, T/A DUN NGUNIS,P.O. BOX 7007, GRAHAMSTOWN,6148,(T)083-655 5597



Naam Ident. nommer Geslag Afdeling Reg. nommer Geboorte Datum

UBUNINZI UN 140023 VROULIK B 0079800520 15-JUN-14

UBUNINZI UN 140023 - B
0079800520 - 15-JUN-14- DNS: U228571
OEK 32 TKP 563
Oud. / Kalwers 7j.3m. / 4
Gem SI/Kalf: / 0
Koei Doelt.: -
Koei/Speen Verh.: 46.63%
KALWINGS
02/17 ,10/18 ,
09/20 ,09/21

BUSHKLOOF RV 050035 - A
0066155581 -25-SEP-05- DNS: U115125



RODS WRA 080179 - SP
0067339614 - 31-AUG-08
OEK 29 TKP 423
Oud. / Kalwers 8j.2m. / 6
Koei Doelt. -
Koei/Speen Verh.: -%
Gem SI/Kalf: 109 / 4

MORGAN AZ 000012 - B
0043925320 -10-OCT-00

RODS WRA 010083 - B
0046063236- 13-NOV-01- BLD: P172802

RODS WRA 030018 - SP
0047577556 - 11-AUG-03
OEK 39 TKP 528
Oud. / Kalwers 7j.7m. / 4
Koei Doelt. -
Koei/Speen Verh.: -%
Gem SI/Kalf: 80 / 1

MORGAN AZ 970062 - SP
0039148192- 03-NOV-97
CAREFREE C 880049 - A
0024128878 - 01-JAN-88

RODS WRA 960006 - A
0044670768 -01-OCT-96- DNS: P1734/02

CAREFREE C 890004 - A
0020733853 - 20-OCT-89

QUAGGA FLATS GL 980114 - B
0041214677- 20-NOV-98

RODS WRA 000051 - SP
0043886530 - 29-SEP-00

Seleksie W.	KALF GEMAK		MELK	KALFGROEI	ONDERHOUD		GROEI TOETS					VRUGBAARHEID			KOEI WAAARDE	GROEI WAAARDE	PRODUKSIE WAAARDE
	81 ⁵⁶	127 ⁵³	113 ⁶⁶	104 ²⁷	Tipe groeipunt					95 ⁴⁹							
TW Ind	Geb gew	Geb Mat	Melk	Speen gew	Naspeen	Volw. gewig	GDT	Kleiber	VOV	Langte	Hoogte	SO	OEK	TKP	110 ³⁹	124 ⁵³	118 ⁴⁶
TW	.87 ⁵⁸	.24 ⁴⁴	6.2 ⁵³	6 ⁶⁶	9 ³⁴	-6.27 ²⁷	22.5 ⁵	33.8 ⁵	-	9.6 ⁵	5 ⁶	1.8 ⁶	-6.7 ⁵²	2.1 ³⁴	In Vitro		
Telersopmerkings: 5M PREGNANT TO FF13-104. HEIFER CALF - DUN21-44 -SIRE FF13-104															Spoelings/Embrios/Kalwers: 0/0/0 Toetse: CA & TB Tested Inent. -		

LOT 28

0603085, LEOPARD RIDGE CONSERVANCY CC, T/A DUN NGUNIS,P.O. BOX 7007, GRAHAMSTOWN,6148,(T)083-655 5597



Name Ident. number Sex Section Reg. number Birth Date

SLAGBOOM WT 130117 FEMALE B 0078269370 09-AUG-13

SLAGBOOM WT 130117 - B
0078269370 - 09-AUG-13
AFC 35 ICP 622
Age / Calves 8yr.0m. / 4
Avg. WI/Calf: / 0
Cow Eff.: -
Cow/Wean Ratio: -%
CALVINGS
07/16 ,08/18 ,
05/20 ,09/21

NTSIKIZI PH 080065 - SP
0066921917 -27-AUG-08- DNA: U162621



- WT 050082 - A
0064431521 - 15-OCT-05
AFC - ICP 392
Age / Calves 9yr.11m. / 8
Cow Eff. -
Cow/Wean Ratio: -%
Avg. WI/Calf: / 0

ROUS HW 020005 - B
0045799632 -05-JAN-02- DNA: X0000085697

NTSIKIZI PH 050054 - SP
0061659405 - 29-OCT-05
AFC 34 ICP 558
Age / Calves 5yr.10m. / 3
Cow/Wean Ratio: 39.49%
Cow Eff. 103
Avg. WI/Calf: 97 / 2

GELYK FONTEIN SW 980014 - B
0040393043- 03-APR-98
EZIWENI L 930171 - A
0034052753 - 11-OCT-93

HENHAM HW 960016 - B
0037243128 -30-OCT-96- DNA: U31126

NTSIKIZI PH 010018 - B
0045818895 - 21-DEC-01

Selection V.	CALVING EASE		MILK	CALF GRWTH	MAINTENANCE		GROWTH TEST					FERTILITY			COW VALUE	GROWTH VALUE	PRODUCTION VALUE
	107 ²⁸	109 ²⁸	88 ³⁷	118 ²¹	Type					90 ³⁹							
BV Ind	Birth wght	Birth Mat	Milk	Wean wght	Post wean	Mature wght	ADG	Kleiber	FCR	Length	Height	SC	AFC	ICP	95 ²⁶	98 ³⁴	96 ³⁰
BV	-28 ²⁹	-08 ²⁵	2.3 ²⁸	-2.6 ³⁷	-2.5 ²⁷	-10.5 ²¹	-29.8 ⁶	-7.3 ⁶	-	-2.7 ⁷	-1.8 ⁷	-3.7 ⁷	5.2 ³⁸	1.24 ²⁴	In Vitro		
Breeder's Remarks: 3,5M PREGNANT TO FF13-104. BULL CALF DUN21-34 SIRE FF13-104															Flushings/Embrios/Calves: 0/0/0 Tests: CA & TB Tested Vacc. -		

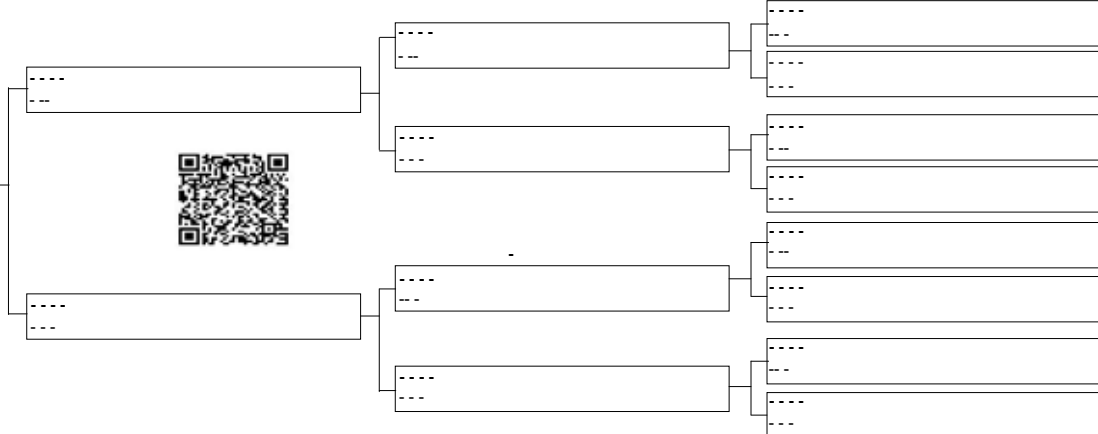
LOT 29

0603085, LEOPARD RIDGE CONSERVANCY CC, T/A DUN NGUNIS,P.O. BOX 7007, GRAHAMSTOWN,6148,(T)083-655 5597



Naam Ident. nommer Geslag Afdeling Reg. nommer Geboorte Datum
MANYENYEZA BBC 180202 VROULIK FR 0090210931 12-FEB-18
BBC 180202

MANYENYEZA BBC 180202 - FR
 0090210931 - 12-FEB-18
 OEK - TKP -
 Oud. / Kalwers **3j.6m. / 1**
 Gem SI/Kalf: / 0
 Koei Doelt.: -
 Koei/Speen Verh.: -%
 KALWINGS
08/21



Seleksie W.	KALF GEMAK		MELK	KALFGROEI	ONDERHOUD		GROEI TOETS					VRUGBAARHEID			KOEI WAARDE	GROEI WAARDE	PRODUKSIE WAARDE
	Geb gew	Geb Mat	Melk	Speen gew	Naspeen	Volw. gewig	GDT	Kleiber	VOV	Lengte	Hoogte	SO	OEK	TKP			
TW Ind	-	-	-	-	-	-	-	-	-	-	-	-	-	-	-	-	-
TW	-	-	-	-	-	-	-	-	-	-	-	-	-	-	-	-	In Vitro
Telersopmerkings: RUNNING WITH FF13-104/T17-86. HEIFER CALF DUN21-32 SIRE T12-58														Spoelings/Embrios/Kalwers: 0/0/0 Toetse: CA & TB Tested Inent. -			

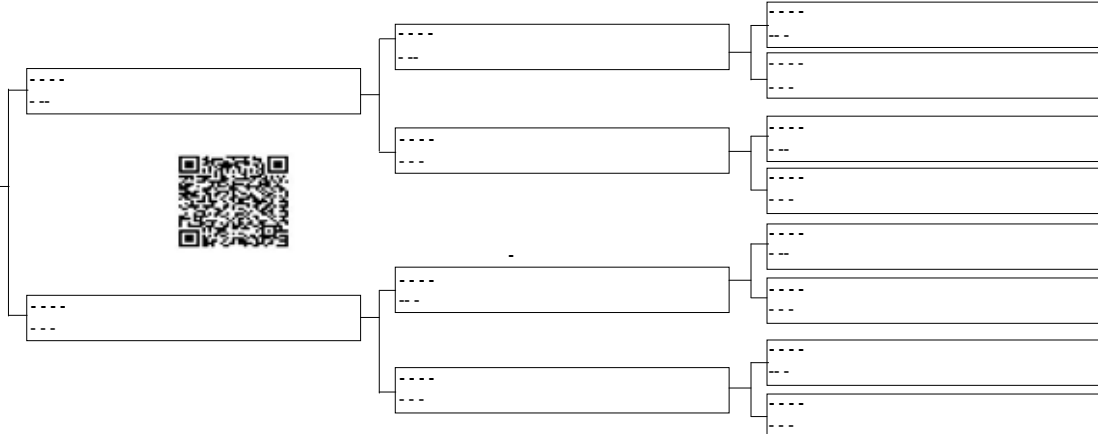
LOT 30

0603085, LEOPARD RIDGE CONSERVANCY CC, T/A DUN NGUNIS,P.O. BOX 7007, GRAHAMSTOWN,6148,(T)083-655 5597



Name Ident. number Sex Section Reg. number Birth Date
MANYENYEZA BBC 180225 FEMALE FR 0090210964 12-FEB-18
BBC 180225

MANYENYEZA BBC 180225 - FR
 0090210964 - 12-FEB-18
 AFC - ICP -
 Age / Calves **3yr.6m. / 1**
 Avg. WI/Calf: / 0
 Cow Eff.: -
 Cow/Wean Ratio: -%
 CALVINGS
09/21



Selection V.	CALVING EASE		MILK	CALF GRWTH	MAINTENANCE		GROWTH TEST					FERTILITY			COW VALUE	GROWTH VALUE	PRODUCTION VALUE
	Birth wght	Birth Mat	Milk	Wean wght	Post wean	Mature wght	ADG	Kleiber	FCR	Length	Height	SC	AFC	ICP			
BV Ind	-	-	-	-	-	-	-	-	-	-	-	-	-	-	-	-	
BV	-	-	-	-	-	-	-	-	-	-	-	-	-	-	-	In Vitro	
Breeder's Remarks: RUNNING WITH FF13-104/T17-86. HEIFER CALF DUN21-33 SIRE T12-58														Flushings/Embrios/Calves: 0/0/0 Tests: CA & TB Tested Vacc. -			

LOT 31

0603085, LEOPARD RIDGE CONSERVANCY CC, T/A DUN NGUNIS,P.O. BOX 7007, GRAHAMSTOWN,6148,(T)083-655 5597



Naam Ident. nommer Geslag Afdeling Reg. nommer Geboorte Datum

KRAGGA KAMMA DS 170055 **DS 170055** **VROULIK A** **0088829395** **26-AUG-17**

KRAGGA KAMMA DS 170055 - A
0088829395 - 26-AUG-17
OEK 28 TKP 397
Oud. / Kalwers 4j.5m. / 3
Gem SI/Kalf: / 0
Koei Doelt.: -
Koei/Speen Verh.: -%
KALWINGS
12/19 ,02/21 ,
02/22

BUSHKLOOF RV 050035 - A
0066155581 -25-SEP-05- DNS: U115125



KRAGGA KAMMA DS 110046 - FR
0076873827 - 15-OCT-11
OEK - TKP 415
Oud. / Kalwers 5j.10m. / 4
Koei Doelt. -
Koei/Speen Verh.: -%
Gem SI/Kalf: 100 / 1

MORGAN AZ 000012 - B
0043925320 -10-OCT-00

MORGAN AZ 970062 - SP
0039148192- 03-NOV-97
CAREFREE C 880049 - A
0024128878 - 01-JAN-88

Seleksie W.	KALF GEMAK		MELK	KALFGROEI	ONDERHOUD		GROEI TOETS					VRUGBAARHEID			KOEI WAAARDE	GROEI WAAARDE	PRODUKSIE WAAARDE	
	☆☆☆		☆☆☆☆	☆☆☆	☆☆☆		Tipe groeipunt					☆☆☆						
	92 ⁴¹	Geb gew	113 ⁴⁴	104 ⁴⁰	95 ¹⁸	GDT	Kleiber	VOV	Lengte	Hoogte	SO	OEK	TKP	102 ⁴¹				
TW Ind	91	108	113	104	104	102	-	-	-	-	-	95	93	103 ²⁹	107 ³⁸	105 ³⁴		
TW	.49 ⁴⁴	-.22 ²⁷	3.2 ⁴⁴	3 ⁴⁰	4.5 ²⁵	4.5 ¹⁸	-	-	-	-	-	-	-	-	-	-	-	In Vitro
Telersopmerkings: RUNNING WITH FF13-104/T17-86. HEIFER CALF DUN22-8 SIRE TV15-548														Spoelings/Embrios/Kalwers: 0/0/0 Toetse: CA & TB Tested Inent. -				

LOT 32

0603085, LEOPARD RIDGE CONSERVANCY CC, T/A DUN NGUNIS,P.O. BOX 7007, GRAHAMSTOWN,6148,(T)083-655 5597



Name Ident. number Sex Section Reg. number Birth Date

LEEUWDOORNPAN EW 110038 **EW 110038** **FEMALE SP** **0073713828** **01-OCT-11**

LEEUWDOORNPAN EW 110038 - SP
0073713828 - 01-OCT-11
AFC 25 ICP 507
Age / Calves 10yr.4m. / 7
Avg. Wl/Calf: 101 / 2
Cow Eff.: -
Cow/Wean Ratio: -%
CALVINGS
10/13 ,04/16 ,
06/17 ,11/18 ,
03/20 ,03/21 ,
02/22

NTSIKIZI PH 010019 - B
0045818754 -27-NOV-01- DNA: X0000031159



GJO GJ 050073 - SP
0061739595 - 29-OCT-05

AFC 34 ICP 373
Age / Calves 9yr.11m. / 8
Cow Eff. -
Cow/Wean Ratio: -%
Avg. Wl/Calf: 95 / 2

MODJADJI LEB 970096 - B
0039716014 -20-NOV-97

CAREFREE C 920059 - B
0027184563- 04-NOV-92
MODJADJI LEB 930658 - A
0033968553 - 01-JAN-93

MODJADJI LEB 980246 - A
0043100825 - 20-MAY-98
AFC - ICP 392
Age / Calves 18yr.7m. / 16
Cow/Wean Ratio: -%
Cow Eff. -
Avg. Wl/Calf: 106 / 11

BHETJANE FF 890015 - A
0021829924 -12-AUG-89

BHETJANE FF 940037 - B
0029931961 - 01-MAY-94

BHETJANE FF 860061 - A
0027910983 - 01-JAN-86

TAFELSIG CS 990323 - B
0043117639 - 04-AUG-99
AFC 27 ICP 448
Age / Calves 13yr.3m. / 10
Cow Eff. -
Cow/Wean Ratio: -%
Avg. Wl/Calf: / 0

TAFELSIG CS 950321 - A
0040384414 - 01-JAN-95

TAFELSIG CS 960154 - A
0040384364 - 01-JAN-96

Selection V.	CALVING EASE		MILK	CALF GRWTH	MAINTENANCE		GROWTH TEST					FERTILITY			COW VALUE	GROWTH VALUE	PRODUCTION VALUE	
	☆☆☆		☆☆	☆☆☆☆	☆☆☆		Type					☆☆☆						
	99 ⁶⁸	Birth wght	74 ⁶⁹	110 ⁶⁴	105 ⁴⁸	Post wean	Mature wght	ADG	Kleiber	FCR	Length	Height	SC	AFC	ICP	95 ⁵⁶		
BV Ind	100	95	74	110	107	96	95	95	-	98	103	106	113	91	90 ⁴⁷	101 ⁶⁰	95 ⁵⁴	
BV	.03 ⁶⁷	.13 ⁷⁰	-5.1 ⁶⁹	5 ⁶⁴	5.6 ⁵⁰	-1.48	-7.3 ²⁶	10.4 ²⁶	-	1.1 ²⁸	1.3 ²⁹	4.6 ²⁸	-14.3 ⁵⁸	0.44				In Vitro
Breeder's Remarks: RUNNING WITH FF13-104/T17-86. BULL CALF DUN22-9 SIRE TV15-548														Flushings/Embrios/Calves: 0/0/0 Tests: CA & TB Tested Vacc. -				

LOT 33

0603085, LEOPARD RIDGE CONSERVANCY CC, T/A DUN NGUNIS,P.O. BOX 7007, GRAHAMSTOWN,6148,(T)083-655 5597



Naam Ident. nommer Geslag Afdeling Reg. nommer Geboorte Datum

GARIEP FB 150021 VROULIK SP 0081550089 01-MAY-15
ELMIEN

GARIEP FB 150021 - SP
 0081550089 - 01-MAY-15
 OEK 31 TKP 462
 Oud. / Kalwers 6j.4m. / 4
 Gem SI/Kalf: / 0
 Koei Doelt.: -
 Koei/Speen Verh.: -%
 KALWINGS
 12/17 ,12/18 ,
 01/20 ,09/21

UKUMKANI A 080085 - B
 0067515288 -18-OCT-08- GEN: AS004901



LEEUWDOORNPAN EW 120056 - SP
 0076146752 - 17-NOV-12

OEK 29 TKP 384
 Oud. / Kalwers 7j.8m. / 6
 Koei Doelt. -
 Koei/Speen Verh.: -%
 Gem SI/Kalf: / 0

MODJADJI LEB 000203 - B
 0043468644 -25-APR-00

UKUMKANI A 040102 - A
 0062607056 - 15-OCT-04

OEK - TKP 397
 Oud. / Kalwers 9j.2m. / 7
 Koei/Speen Verh.: -%
 Koei Doelt. -
 Gem SI/Kalf: 103 / 4

LEEUWDOORNPAN EW 080006 - SP
 0067048199- 22-JUN-08- DNS: U183375

GJO GJ 060081 - SP
 0063986889 - 13-DEC-06

OEK 34 TKP 368
 Oud. / Kalwers 7j.10m. / 6
 Koei Doelt. -
 Koei/Speen Verh.: -%
 Gem SI/Kalf: 112 / 1

SAM CP 940049 - B
 0033088220- 06-DEC-94

MODJADJI LEB 950203 - A
 0041208695 - 01-JAN-95

NELGUNI CJ 030163 - B
 0047788542 -24-DEC-03

NELGUNI CJ 050001 - SP
 0061830519 - 03-JAN-05

BHETJANE FF 940037 - B
 0029931961- 01-MAY-94

MODJADJI LEB 960858 - B
 0037867827 - 25-OCT-96

Seleksie W.	KALF GEMAK		MELK	KALFGROEI	ONDERHOUD		GROEI TOETS					VRUGBAARHEID			KOEI WAARDE	GROEI WAARDE	PRODUKSIE WAARDE
	89 ⁴⁷	88 ⁴⁸	126 ⁵⁰	93 ²⁹	Tipe groeipunt					104 ⁴⁸							
TW Ind	Geb gew	Geb Mat	Melk	Speen gew	Naspeen	Volw. gewig	GDT	Kleiber	VOV	Lengte	Hoogte	SO	OEK	TKP	104 ³⁶	120 ⁴⁶	112 ⁴¹
TW	.46 ⁴⁹	.33 ³⁸	-2.48	10.3 ⁵⁰	13.1 ³⁸	7.5 ²⁹	53.9 ³⁴	61.7 ³⁴	-	12.1 ³⁷	2.5 ³⁹	9.6 ³⁸	-2.6 ⁵⁶	-2.1 ³²	In Vitro		
Telsopmerkinge: RUNNING WITH FF13-104/T17-86. HEIFER CALF DUN21-39 SIRE FF13-104															Spoelings/Embrios/Kalwers: 0/0/0 Toetse: CA & TB Tested Inent. -		

LOT 34

0603085, LEOPARD RIDGE CONSERVANCY CC, T/A DUN NGUNIS,P.O. BOX 7007, GRAHAMSTOWN,6148,(T)083-655 5597



Name Ident. number Sex Section Reg. number Birth Date

GARIEP FB 160102 FEMALE SP 0084646413 14-OCT-16
HARLEKYN

GARIEP FB 160102 - SP
 0084646413 - 14-OCT-16
 AFC 33 ICP 456
 Age / Calves 5yr.3m. / 3
 Avg. WI/Calf: / 0
 Cow Eff.: -
 Cow/Wean Ratio: -%
 CALVINGS
 07/19 ,08/20 ,
 01/22

GARIEP FB 110080 - SP
 0074478652 -01-NOV-11- DNA: U261503



GARIEP FB 110096 - SP
 0074478819 - 16-NOV-11

AFC 34 ICP 369
 Age / Calves 9yr.10m. / 8
 Cow Eff. -
 Cow/Wean Ratio: -%
 Avg. WI/Calf: / 0

GARIEP FB 060029 - SP
 0062942289 -25-MAY-06- DNA: U235613

GARIEP FB 010059 - B
 0045420650 - 02-NOV-01

AFC 32 ICP 395
 Age / Calves 13yr.6m. / 11
 Cow/Wean Ratio: -%
 Cow Eff. -
 Avg. WI/Calf: / 0

GARIEP FB 060029 - SP
 0062942289- 25-MAY-06- DNA: U235613

WALT GF 060190 - SP
 0063671325 - 16-NOV-06

AFC 26 ICP 357
 Age / Calves 8yr.11m. / 8
 Cow Eff. -
 Cow/Wean Ratio: -%
 Avg. WI/Calf: / 0

WALT GF 970056 - B
 0039633979- 15-NOV-97- LID: X970004484

- TOL 020121 - B
 0048628820 - 24-OCT-02

TAFELSIG CS 910004 - B
 0023335649 -03-FEB-91- BLD: X5365

GARIEP FB 890170 - A
 0039930151 - 01-JAN-89

WALT GF 970056 - B
 0039633979 -15-NOV-97- LID: X970004484

- TOL 020121 - B
 0048628820 - 24-OCT-02

WALT GF 000107 - B
 0043925353- 13-NOV-00

WALT GF 990059 - B
 0043129220 - 18-OCT-99

Selection V.	CALVING EASE		MILK	CALF GRWTH	MAINTENANCE		GROWTH TEST					FERTILITY			COW VALUE	GROWTH VALUE	PRODUCTION VALUE
	113 ³¹	78 ²⁴	94 ³⁰	Type					106 ⁴⁴								
BV Ind	Birth wght	Birth Mat	Milk	Wean wght	Post wean	Mature wght	ADG	Kleiber	FCR	Length	Height	SC	AFC	ICP			
BV	-37 ³⁴	-62 ¹⁷	-4.3 ²⁴	-4 ³⁰	-	-	-	-	-	-	-	-	73	124	In Vitro		
Breeder's Remarks: RUNNING WITH FF13-104/T17-86. BULL CALF DUN22-4 SIRE TV15-548															Flushings/Embrios/Calves: 0/0/0 Tests: CA & TB Tested Vacc. -		

LOT 35

0603085, LEOPARD RIDGE CONSERVANCY CC, T/A DUN NGUNIS,P.O. BOX 7007, GRAHAMSTOWN,6148,(T)083-655 5597



Naam Ident. nommer Geslag Afdeling Reg. nommer Geboorte Datum

GARIEP FB 160089 - B **FB 160089** **VROULIK B** **0084460385** **29-SEP-16**

GARIEP FB 160089 - B
0084460385 - 29-SEP-16
OEK 33 TKP 458
Oud. / Kalwers 5j.3m. / 3
Gem SI/Kalf: / 0
Koei Doelt.: -
Koei/Speen Verh.: -%
KALWINGS
07/19 ,08/20 ,
01/22

GARIEP FB 110060 - SP
0074293127 -22-OCT-11- DNS: U261502



GARIEP FB 130165 - A
0079025508 - 14-DEC-13
OEK 33 TKP 346
Oud. / Kalwers 7j.6m. / 6
Koei Doelt. -
Koei/Speen Verh.: -%
Gem SI/Kalf: / 0

GARIEP FB 060029 - SP
0062942289 -25-MAY-06- DNS: U235613

GARIEP FB 040088 - B
0049433105 - 17-NOV-04
OEK 29 TKP 381
Oud. / Kalwers 15j.11m. / 14
Koei/Speen Verh.: -%
Koei Doelt. -
Gem SI/Kalf: / 0

- ANS 021230 - FR
0070556550- 15-OCT-02- DNS: U156023

GARIEP FB 100024 - SP
0070911557 - 20-MAY-10
OEK 29 TKP 383
Oud. / Kalwers 7j.7m. / 6
Koei Doelt. -
Koei/Speen Verh.: -%
Gem SI/Kalf: / 0

WALT GF 970056 - B
0039633979- 15-NOV-97- LID: X970004484
- TOL 020121 - B
0048628820 - 24-OCT-02

GARIEP FB 960020 - A
0048354054 -01-JAN-96

WALT GF 010185 - B
0045799103 - 09-DEC-01

WALT GF 050153 - SP
0061912366- 27-OCT-05- DNS: U156022

GARIEP FB 030067 - SP
0048049787 - 08-NOV-03

Seleksie W.	KALF GEMAK		MELK	KALFGROEI	ONDERHOUD		GROEI TOETS					VRUGBAARHEID		KOEI WAARDE	GROEI WAARDE	PRODUKSIE WAARDE					
	★★★★	★★★	★★	★★★★	Tipe groeipunt					★★★★	★★★★										
	112 ₃₅	88 ₂₈	89 ₂₅	116 ₁₂	Geb gew	Geb Mat	Melk	Speen gew	Naspeen	Volw. gewig	GDT	Kleiber	VOV	Lengte	Hoogte	SO	OEK	TKP	★★★★	★★★★	★★★
TW Ind	108	114	88	89	85	86	-	-	-	-	-	-	-	-	-	-	92	111	111 ₂₆	101 ₃₀	106 ₂₈
TW	-42 ₃₇	-39 ₂₅	-2.1 ₂₈	-2.2 ₂₅	-5 ₁₁	-7.8 ₁₂	-	-	-	-	-	-	-	-	-	-	2.2 ₅₄	-4.5 ₃₅	In Vitro		
Telersopmerkings: RUNNING WITH FF13-104/T17-86. BULL CALF DUN22-2 SIRE TV15-548															Spoelings/Embrios/Kalwers: 0/0/0 Toetse: CA & TB Tested Inent. -						

LOT 36

0603085, LEOPARD RIDGE CONSERVANCY CC, T/A DUN NGUNIS,P.O. BOX 7007, GRAHAMSTOWN,6148,(T)083-655 5597



Name Ident. number Sex Section Reg. number Birth Date

GARIEP FB 170097 - SP **FB 170097** **FEMALE SP** **0086308566** **24-SEP-17**

GARIEP FB 170097 - SP
0086308566 - 24-SEP-17
AFC 26 ICP 396
Age / Calves 4yr.4m. / 3
Avg. WI/Calf: / 0
Cow Eff.: -
Cow/Wean Ratio: -%
CALVINGS
12/19 ,12/20 ,
02/22

GARIEP FB 110080 - SP
0074478652 -01-NOV-11- DNA: U261503



GARIEP FB 120071 - SP
0076132455 - 18-OCT-12
AFC 34 ICP 350
Age / Calves 8yr.7m. / 7
Cow Eff. -
Cow/Wean Ratio: -%
Avg. WI/Calf: / 0

GARIEP FB 060029 - SP
0062942289 -25-MAY-06- DNA: U235613

GARIEP FB 010059 - B
0045420650 - 02-NOV-01
AFC 32 ICP 395
Age / Calves 13yr.6m. / 11
Cow/Wean Ratio: -%
Cow Eff. -
Avg. WI/Calf: / 0

GARIEP FB 070123 - SP
0065859027 - 01-DEC-07- DNA: U156016

GARIEP FB 090084 - SP
0069823557 - 10-OCT-09
AFC 36 ICP 373
Age / Calves 8yr.1m. / 6
Cow Eff. -
Cow/Wean Ratio: -%
Avg. WI/Calf: / 0

WALT GF 970056 - B
0039633979- 15-NOV-97- LID: X970004484
- TOL 020121 - B
0048628820 - 24-OCT-02

TAFELSIG CS 910004 - B
0023335649 -03-FEB-91- BLD: X5365

GARIEP FB 890170 - A
0039930151 - 01-JAN-89

WALT GF 970056 - B
0039633979 -15-NOV-97- LID: X970004484

GARIEP FB 040014 - SP
0048528756 - 01-MAR-04

HANSEL HAS 910128 - B
0024635708- 22-OCT-91- LID: X970004486

GARIEP FB 010071 - SP
0045650967 - 01-DEC-01

Selection V.	CALVING EASE		MILK	CALF GRWTH	MAINTENANCE		GROWTH TEST					FERTILITY			COW VALUE	GROWTH VALUE	PRODUCTION VALUE				
	★★★★	★★★	★★	★★★★	Type					★★★★	★★★★	★★★★									
	110 ₃₈	77 ₃₄	95 ₃₉	113 ₁₃	Birth wght	Birth Mat	Milk	Wean wght	Post wean	Mature wght	ADG	Kleiber	FCR	Length	Height	SC	AFC	ICP	★★★★	★★★★	★★★
BV Ind	106	114	77	95	90	90	-	-	-	-	-	-	-	-	-	-	71	120	96 ₂₇	94 ₃₅	94 ₃₁
BV	-31 ₃₉	-39 ₃₁	-4.5 ₃₄	-1 ₃₉	-2.4 ₂₂	-4.7 ₁₃	-	-	-	-	-	-	-	-	-	-	17.9 ₄₈	-6.6 ₂₈	In Vitro		
Breeder's Remarks: RUNNING WITH FF13-104/T17-86. HEIFER CALF DUN22-7 SIRE TV15-548															Flushings/Embrios/Calves: 0/0/0 Tests: CA & TB Tested Vacc. -						

LOT 37

0603085, LEOPARD RIDGE CONSERVANCY CC, T/A DUN NGUNIS,P.O. BOX 7007, GRAHAMSTOWN,6148,(T)083-655 5597



Naam Ident. nommer Geslag Afdeling Reg. nommer Geboorte Datum
GLEDSMUIR K 180070 VROULIK A 0087755609 05-NOV-18

GLEDSMUIR K 180070 - A
 0087755609 - 05-NOV-18
 OEK 36 TKP -
 Oud. / Kalwers 3j.0m. / 1
 Gem SI/Kalf: / 0
 Koei Doelt.: -
 Koei/Speen Verh.: -%
 KALWINGS
 11/21

--- MS
 0135431189 -01-JAN-40



LEEUWDOORNPAN EW 110038 - SP
 0073713828 - 01-OCT-11

OEK 25 TKP 507
 Oud. / Kalwers 10j.4m. / 7
 Koei Doelt. -
 Koei/Speen Verh.: -%
 Gem SI/Kalf: 101 / 2

NTSIKIZI PH 010019 - B
 0045818754 - 27-NOV-01- DNS: X0000031159

GJO GJ 050073 - SP
 0061739595 - 29-OCT-05

OEK 34 TKP 373
 Oud. / Kalwers 9j.11m. / 8
 Koei Doelt. -
 Koei/Speen Verh.: -%
 Gem SI/Kalf: 95 / 2

- MODJADJI LEB 970096 - B
0039716014 - 20-NOV-97
- MODJADJI LEB 980246 - A
0043100825 - 20-MAY-98
- BHETJANE FF 940037 - B
0029931961 - 01-MAY-94
- TAFELSIG CS 990323 - B
0043117639 - 04-AUG-99

Seleksie W.	KALF GEMAK		MELK	KALFGROEI	ONDERHOUD		GROEI TOETS					VRUGBAARHEID			KOEI WAARDE	GROEI WAARDE	PRODUKSIE WAARDE
	117 ⁶²	83 ³⁵	95 ³²	105 ²⁴	Tipe groeipunt					98 ³⁰							
	Geb gew	Geb Mat	Melk	Speen gew	Naspeen	Volw. gewig	GDT	Kleiber	VOV	Lengte	Hoogte	SO	OEK	TKP			
TW Ind	116	99	83	95	94	96	95	94	-	101	103	100	107	95	90 ²⁵	89 ³²	89 ²⁸
TW	-82 ⁶⁸	.03 ³⁵	-3.1 ³⁵	-3 ³²	-5 ²⁶	-1.24	-8.6 ¹³	8.7 ¹³	-	2.7 ¹⁴	1.3 ¹⁴	2.5 ¹⁴	-9.6 ²⁹	-1 ²²	In Vitro		
Telsopmerkings: RUNNING WITH FF13-104/T17-86. BULL CALF DUN21-56 SIRE TV15-548														Spoelings/Embrios/Kalwers: 0/0/0 Toetse: CA & TB Tested Inent. -			

LOT 38

0603085, LEOPARD RIDGE CONSERVANCY CC, T/A DUN NGUNIS,P.O. BOX 7007, GRAHAMSTOWN,6148,(T)083-655 5597



Name Ident. number Sex Section Reg. number Birth Date
BUSHKLOOF RV 110005 FEMALE SP 0072725542 17-FEB-11

BUSHKLOOF RV 110005 - SP
 0072725542 - 17-FEB-11
 AFC 29 ICP 440
 Age / Calves 10yr.9m. / 8
 Avg. WI/Calf: / 0
 Cow Eff.: -
 Cow/Wean Ratio: -%
 CALVINGS
 07/13 , 07/14 ,
 07/15 , 06/17 ,
 10/18 , 11/19 ,
 11/20 , 12/21

SEDIBALETSA ISF 060022 - SP
 0064120652 - 15-NOV-06- DNA: U115126



BUSHKLOOF RV 080024 - SP
 0066840315 - 01-AUG-08

AFC 31 ICP 445
 Age / Calves 4yr.11m. / 3
 Cow Eff. -
 Cow/Wean Ratio: -%
 Avg. WI/Calf: / 0

BHETJANE FF 010136 - SP
 0045377017 - 13-OCT-01- DNA: X0000110589

SEDIBALETSA ISF 040012 - SP
 0049403454 - 30-SEP-04

AFC 26 ICP 367
 Age / Calves 12yr.1m. / 11
 Cow/Wean Ratio: -%
 Cow Eff. -
 Avg. WI/Calf: 98 / 3

MODJADJI LEB 000115 - B
 0044585099- 12-OCT-00

BUSHKLOOF RV 020010 - SP
 0046509683 - 05-OCT-02

AFC 28 ICP 388
 Age / Calves 11yr.11m. / 10
 Cow Eff. -
 Cow/Wean Ratio: -%
 Avg. WI/Calf: / 0

- BHETJANE FF 940037 - B
0029931961 - 01-MAY-94
- BHETJANE FF 970066 - B
0038512786 - 13-JUN-97
- BHETJANE FF 960006 - B
0036921443 - 15-FEB-96
- MTN 000392 - SP
0044508729 - 01-MAR-00
- MODJADJI LEB 960892 - SP
0037869252 - 29-NOV-96- DNA: P2178/05
- MODJADJI LEB 950109 - A
0041208497 - 01-JAN-95
- MORGAN AZ 990044 - SP
0043129147 - 18-OCT-99
- HARTEBEEES DTK 880007 - B
0017672510 - 22-OCT-88

Selection V.	CALVING EASE		MILK	CALF GRWTH	MAINTENANCE		GROWTH TEST					FERTILITY			COW VALUE	GROWTH VALUE	PRODUCTION VALUE
	106 ⁵³	83 ⁴¹	102 ⁴⁰	107 ²⁸	Type					123 ⁵⁷							
	Birth wght	Birth Mat	Milk	Wean wght	Post wean	Mature wght	ADG	Kleiber	FCR	Length	Height	SC	AFC	ICP			
BV Ind	104	109	83	102	102	95	93	93	-	95	93	108	140	119	116 ³⁶	111 ⁴³	113 ⁴⁰
BV	-18 ⁵⁵	-23 ⁴⁵	-3.2 ⁴¹	2.4 ⁴⁰	3.3 ²⁸	-1.1 ²⁸	-12 ²⁵	7 ²⁵	-	-1.2 ²⁶	-3.1 ²⁷	5.5 ²⁶	-35.8 ⁶³	-6.5 ⁴⁴	In Vitro		
Breeder's Remarks: RUNNING WITH FF13-104/T17-86. BULL CALF DUN21-66 SIRE FF13-104														Flushings/Embrios/Calves: 0/0/0 Tests: CA & TB Tested Vacc. -			

LOT 39

0603085, LEOPARD RIDGE CONSERVANCY CC, T/A DUN NGUNIS,P.O. BOX 7007, GRAHAMSTOWN,6148,(T)083-655 5597



Naam Ident. nommer Geslag Afdeling Reg. nommer Geboorte Datum
BABAZEKA RVS 160024 VROULIK B 0083934927 28-JUN-16

BABAZEKA SY DAGHA

BABAZEKA RVS 160024 - B
 0083934927 - 28-JUN-16- DNS: U331080
 OEK 40 TKP 418
 Oud. / Kalwers 5j.7m. / 3
 Gem SI/Kalf: / 0
 Koei Doelt.: -
 Koei/Speen Verh.: -%
 KALWINGS
 10/19 ,11/20 ,
 02/22

TALKING-HILL SY 020003 - A
 0068252352 -15-OCT-02- DNS: U201173



BABAZEKA RVS 130042 - SP
 0078321205 - 15-OCT-13

OEK 32 TKP 398
 Oud. / Kalwers 8j.1m. / 6
 Koei Doelt. 111
 Koei/Speen Verh.: 44.76%
 Gem SI/Kalf: 78 / 2

CIRCLE A BN 090561 - B
 0068165182- 24-MAR-09- DNS: U185458

CIRCLE A BN 110248 - SP
 0072890478 - 11-APR-11

OEK 30 TKP 412
 Oud. / Kalwers 10j.4m. / 8
 Koei Doelt. -
 Koei/Speen Verh.: -%
 Gem SI/Kalf: 104 / 2

CIRCLE A BN 030090 - B
 0048241475 -28-NOV-03- DNS: X0000112038
CIRCLE A BN 050355 - A
 0063875249 - 20-JUL-05
CIRCLE A BN 070814 - SP
 0065662231- 30-OCT-07- DNS: UA263464
- CSN020017M - SP
 0065325045 - 02-DEC-02

Seleksie W.	KALF GEMAK		MELK	KALFGROEI	ONDERHOUD		GROEI TOETS					VRUGBAARHEID			KOEI WAARDE	GROEI WAARDE	PRODUKSIE WAARDE
	113 ⁶⁴	84	91 ⁴²	96 ⁴⁵	102 ²³	Tipe groeipunt					84 ³⁵						
TW Ind	Geb gew	Geb Mat	Melk	Speen gew	Naspeen	Volw. gewig	GDT	Kleiber	VOV	Langte	Hoogte	SO	OEK	TKP	80 ³⁰	86 ³⁹	82 ³⁴
TW	-63 ⁶⁸	.15 ⁴³	-1.5 ⁴²	.4 ⁴⁵	-4 ²³	.7 ²³	-10.1 ¹⁶	11.1 ¹⁶	-	-1.6 ¹⁷	-1.2 ¹⁸	-4.1 ¹⁸	3.4 ³⁶	6.2 ²²	In Vitro		
Telersopmerkings: RUNNING WITH FF13-104/T17-86. HEIFER CALF DUN22-6 SIRE TV15-548															Spoelings/Embrios/Kalwers: 0/0/0 Toetse: CA & TB Tested Inent. -		

LOT 40

0603085, LEOPARD RIDGE CONSERVANCY CC, T/A DUN NGUNIS,P.O. BOX 7007, GRAHAMSTOWN,6148,(T)083-655 5597



Name Ident. number Sex Section Reg. number Birth Date
NANDI T 180128 FEMALE B 0087370706 26-AUG-18

T 180128

NANDI T 180128 - B
 0087370706 - 26-AUG-18
 AFC 36 ICP -
 Age / Calves 3yr.0m. / 1
 Avg. Wl/Calf: / 0
 Cow Eff.: -
 Cow/Wean Ratio: -%
 CALVINGS
 09/21

INHLUZANE TCW 100018 - A
 0071249510 -01-SEP-10- DNA: U428229



NANDI T 140142 - B
 0080047046 - 27-AUG-14

AFC 36 ICP 402
 Age / Calves 6yr.3m. / 4
 Cow Eff. -
 Cow/Wean Ratio: -%
 Avg. Wl/Calf: / 0

--- MS
 0135431189 -01-JAN-40

KLEINZUURBRON LP 040325 - A
 0060024411 - 07-NOV-04

AFC 25 ICP 406
 Age / Calves 12yr.1m. / 10
 Cow/Wean Ratio: -%
 Cow Eff. -
 Avg. Wl/Calf: / 0

NANDI T 090295 - A
 0069398295- 21-OCT-09- DNA: U176277

NANDI T 070069 - A
 0064891757 - 24-JUL-07

AFC 26 ICP 422
 Age / Calves 11yr.4m. / 9
 Cow Eff. -
 Cow/Wean Ratio: -%
 Avg. Wl/Calf: 96 / 1

--- MS
 0135431189 -01-JAN-40
- UR 010020 - A
 0048167167 - 15-OCT-01
NANDI T 050234 - B
 0062028543 -05-NOV-05
NANDI T 050115 - FR
 0064570716 - 15-OCT-05
- H 990174 - A
 0046500526- 01-JAN-99- DNA: XMF371244388
- T 970717 - FR
 0064570245 - 15-OCT-97

Selection V.	CALVING EASE		MILK	CALF GRWTH	MAINTENANCE		GROWTH TEST					FERTILITY			COW VALUE	GROWTH VALUE	PRODUCTION VALUE
	99 ¹⁶	98 ¹⁸	96 ¹⁶	104 ¹⁰	Type					98 ⁴⁰							
BV Ind	Birth wght	Birth Mat	Milk	Wean wght	Post wean	Mature wght	ADG	Kleiber	FCR	Length	Height	SC	AFC	ICP	84	95 ²²	-
BV	.13 ¹⁷	-.13 ¹⁴	-.1 ¹⁸	.1 ¹⁶	-9 ¹⁰	-1.1 ¹⁰	-9.9 ⁹	8.6 ⁹	-	.7 ¹⁰	1.2 ¹⁰	.4 ¹⁰	-4.1 ⁴⁷	1.5 ²⁴	In Vitro		
Breeder's Remarks: RUNNING WITH FF13-104/T17-86. HEIFER CALF DUN21-37 SIRE MII13-292															Flushings/Embrios/Calves: 0/0/0 Tests: CA & TB Tested Vacc. -		

LOT 41

0603085, LEOPARD RIDGE CONSERVANCY CC, T/A DUN NGUNIS,P.O. BOX 7007, GRAHAMSTOWN,6148,(T)083-655 5597



Naam Ident. nommer Geslag Afdeling Reg. nommer Geboorte Datum

WATERHOEK DUN 200001 **DUN 200001** **VROULIK SP** **0090339151** **01-MAR-20**

WATERHOEK DUN 200001 - SP
0090339151 - 01-MAR-20
OEK - TKP -
Oud. / Kalwers 2j.1m. / 0
Gem SI/Kalf: / 0
Koei Doelt.: -
Koei/Speen Verh.: -%
KALWINGS -

BUSHKLOOF RV 160046 - SP
0084366681 -01-SEP-16- DNS: U513458



BUSHKLOOF RV 170025 - SP
0085600898 - 19-JUN-17

OEK 32 TKP 527
Oud. / Kalwers 4j.1m. / 2
Koei Doelt. -
Koei/Speen Verh.: -%
Gem SI/Kalf: / 0

SEDIBALETSA ISF 060022 - SP
0064120652 -15-NOV-06- DNS: U115126

BUSHKLOOF RV 090055 - B
0069736296 - 18-NOV-09

OEK 31 TKP 386
Oud. / Kalwers 12j.1m. / 10
Koei/Speen Verh.: -%
Koei Doelt. -
Gem SI/Kalf: / 0

NANDIT 060253 - SP
0063886469- 18-NOV-06- DNS: X0000109908

BUSHKLOOF RV 100001 - B
0070074299 - 02-JAN-10

OEK 32 TKP 439
Oud. / Kalwers 7j.5m. / 5
Koei Doelt. -
Koei/Speen Verh.: -%
Gem SI/Kalf: / 0

BHETJANE FF 010136 - SP
0045377017- 13-OCT-01- DNS: X0000110589

SEDIBALETSA ISF 040012 - SP
0049403454 - 30-SEP-04

BUSHKLOOF RV 030099 - A
0062605910 -15-OCT-03- DNS: U0000138524

KAPOKBERG DH 000044 - SP
0044299287 - 01-NOV-00

NANDIT 980148 - SP
0040900276 -02-OCT-98- DNS: U157361

MODJADJI LEB 010515 - B
0044740900 - 01-MAY-01

SEDIBALETSA ISF 060022 - SP
0064120652- 15-NOV-06- DNS: U115126

BUSHKLOOF RV 070028 - A
0064627573 - 16-JUN-07

Seleksie W.	KALF GEMAK		MELK	KALFGROEI	ONDERHOUD		GROEI TOETS					VRUGBAARHEID		KOEI WAARDE	GROEI WAARDE	PRODUKSIE WAARDE	
	107 ²⁹	92 ¹⁴	92 ¹⁵	Tipe groeipunt					111 ²⁹								
TW Ind	Geb gew	Geb Mat	Melk	Speen gew	Naspeen	Volw. gewig	GDT	Kleiber	VOV	Lengte	Hoogte	SO	OEK	TKP			
TW	104	110	92	92	-	-	-	-	-	-	-	-	99	108	-	-	-
	-2 ³¹	-28 ¹⁹	-1.2 ¹⁴	-1.1 ¹⁵	-	-	-	-	-	-	-	-	-3.3 ³⁴	-3.7 ¹³	In Vitro		
Telersopmerkings: 4,5M PREGNANT TO FF13-104														Spoelings/Embrios/Kalwers: 0/0/0 Toetse: CA & TB Tested Inent. -			

LOT 42

0603085, LEOPARD RIDGE CONSERVANCY CC, T/A DUN NGUNIS,P.O. BOX 7007, GRAHAMSTOWN,6148,(T)083-655 5597



Name Ident. number Sex Section Reg. number Birth Date

WATERHOEK DUN 200002 **DUN 200002** **FEMALE SP** **0090339169** **04-MAR-20**

WATERHOEK DUN 200002 - SP
0090339169 - 04-MAR-20
AFC - ICP -
Age / Calves 2j.1m. / 0
Avg. WI/Calf: / 0
Cow Eff.: -
Cow/Wean Ratio: -%
CALVINGS -

BHETJANE FF 130104 - SP
0078886504 -08-NOV-13- DNA: U369376



BUSHKLOOF RV 090011 - B
0068087212 - 08-FEB-09

AFC 35 ICP 328
Age / Calves 11yr.10m. / 11
Cow Eff. -
Cow/Wean Ratio: -%
Avg. WI/Calf: / 0

BHETJANE FF 050023 - SP
0061992715 -25-SEP-05- DNA: U1386071

WALT GF 070097 - SP
0065235574 - 11-OCT-07

AFC 25 ICP 371
Age / Calves 8yr.2m. / 7
Cow/Wean Ratio: 52.33%
Cow Eff. 107
Avg. WI/Calf: 105 / 7

MODJADJI LEB 000115 - B
0044585099- 12-OCT-00

- RV 020717 - A
0062606298 - 29-MAR-02

AFC - ICP 416
Age / Calves 6yr.10m. / 3
Cow Eff. -
Cow/Wean Ratio: -%
Avg. WI/Calf: / 0

BHETJANE FF 970037 - SP
0038512471- 14-MAY-97- DNA: P680/05

BHETJANE FF 970004 - B
0038512141 - 08-APR-97

WALT GF 010147 - SP
0045464153 -22-NOV-01- DNA: U151449

WALT GF 060018 - SP
0062584776 - 18-FEB-06

MODJADJI LEB 960892 - SP
0037869252 -29-NOV-96- DNA: P2178/05

MODJADJI LEB 950109 - A
0041208497 - 01-JAN-95

Selection V.	CALVING EASE		MILK	CALF GRWTH	MAINTENANCE		GROWTH TEST					FERTILITY			COW VALUE	GROWTH VALUE	PRODUCTION VALUE
	99 ⁴¹	89 ³⁸	120 ⁴⁴	83 ³²		Type					102 ³⁹						
BV Ind	Birth wght	Birth Mat	Milk	Wean wght	Post wean	Mature wght	ADG	Kleiber	FCR	Length	Height	SC	AFC	ICP	99 ³¹	102 ⁴⁰	99 ³⁶
BV	.07 ⁴²	.05 ³⁴	-1.9 ³⁸	8.4 ⁴⁴	13.4 ³¹	17.8 ³²	57.8 ³⁷	62.5 ³⁷	-	20.9 ⁴⁰	8.3 ⁴²	10.5 ⁴¹	2.6 ⁴⁰	-4.9 ²⁹	In Vitro		
Breeder's Remarks: 3,5M PREGNANT TO FF13-104														Flushings/Embrios/Calves: 0/0/0 Tests: CA & TB Tested Vacc. -			

LOT 43

0603085, LEOPARD RIDGE CONSERVANCY CC, T/A DUN NGUNIS,P.O. BOX 7007, GRAHAMSTOWN,6148,(T)083-655 5597



Naam Ident. nommer Geslag Afdeling Reg. nommer Geboorte Datum

WATERHOEK DUN 200021 **DUN 200021** **VROULIK B** **0090852583** **28-JUL-20**

WATERHOEK DUN 200021 - B

0090852583 - 28-JUL-20
 OEK - TKP -
 Oud. / Kalwers 1j.8m. / 0
 Gem SI/Kalf: / 0
 Koei Doelt.: -
 Koei/Speen Verh.: -%
 KALWINGS

BHETJANE FF 130104 - SP
 0078886504 -08-NOV-13- DNS: U369376



BUSHKLOOF RV 130045 - A
 0078112356 - 10-SEP-13
 OEK 35 TKP 461
 Oud. / Kalwers 7j.11m. / 5
 Koei Doelt. -
 Koei/Speen Verh.: -%
 Gem SI/Kalf: / 0

BHETJANE FF 050023 - SP
 0061992715 -25-SEP-05- DNS: U1386071

WALT GF 070097 - SP
 0065235574 - 11-OCT-07
 OEK 25 TKP 371
 Oud. / Kalwers 8j.2m. / 7
 Koei/Speen Verh.: 52.33%
 Koei Doelt. 107
 Gem SI/Kalf: 105 / 7

SEDIBALETSA ISF 060022 - SP
 0064120652- 15-NOV-06- DNS: U115126

- RV 010030 - FR
 0064405434 - 15-OCT-01
 OEK - TKP 419
 Oud. / Kalwers 11j.10m. / 6
 Koei Doelt. -
 Koei/Speen Verh.: -%
 Gem SI/Kalf: / 0

BHETJANE FF 970037 - SP
 0038512471- 14-MAY-97- DNS: P680/05
BHETJANE FF 970004 - B
 0038512141 - 08-APR-97

WALT GF 010147 - SP
 0045464153 -22-NOV-01- DNS: U151449
WALT GF 060018 - SP
 0062584776 - 18-FEB-06

BHETJANE FF 010136 - SP
 0045377017 -13-OCT-01- DNS: X0000110589

SEDIBALETSA ISF 040012 - SP
 0049403454 - 30-SEP-04

Seleksie W.	KALF GEMAK		MELK	KALFGROEI	ONDERHOUD	GROEI TOETS						VRUGBAARHEID			KOEI WAARDE	GROEI WAARDE	PRODUKSIE WAARDE	
	94 ³³	93 ³⁵	113 ⁴⁰	90 ²⁸	Tipe groeipunt						105 ³⁶							
TW Ind	Geb gew	Geb Mat	Melk	Speen gew	Naspeen	Volw. gewig	GDT	Kleiber	VOV	Lengte	Hoogte	SO	OEK	TKP	100 ²⁸	105 ³⁶	103 ³²	
TW	.3 ³³	.1 ³¹	-1.1 ³⁵	6 ⁴⁰	8.7 ²⁶	10 ²⁸	28.3 ³²	41.9 ³²	-	9.4 ³⁵	4 ³⁷	5.7 ³⁶	109	109	106	100 ²⁸	105 ³⁶	103 ³²
In Vitro															Spoelings/Embrios/Kalwers: 0/0/0			
Telersopmerkings: 5M PREGNANT TO T17-86															Toetse: CA & TB Tested			
															Inent. -			

LOT 44

0603085, LEOPARD RIDGE CONSERVANCY CC, T/A DUN NGUNIS,P.O. BOX 7007, GRAHAMSTOWN,6148,(T)083-655 5597



Name Ident. number Sex Section Reg. number Birth Date

WATERHOEK DUN 200005 **DUN 200005** **FEMALE SP** **0090339409** **24-MAR-20**

WATERHOEK DUN 200005 - SP

0090339409 - 24-MAR-20
 AFC - ICP -
 Age / Calves 2j.0m. / 0
 Avg. WI/Calf: / 0
 Cow Eff.: -
 Cow/Wean Ratio: -%
 CALVINGS

BHETJANE FF 130104 - SP
 0078886504 -08-NOV-13- DNA: U369376



HERONCLIFF HC 100059 - B
 0071707632 - 15-OCT-10

AFC 35 ICP 454
 Age / Calves 10yr.4m. / 7
 Cow Eff. -
 Cow/Wean Ratio: -%
 Avg. WI/Calf: / 0

BHETJANE FF 050023 - SP
 0061992715 -25-SEP-05- DNA: U1386071

WALT GF 070097 - SP
 0065235574 - 11-OCT-07
 AFC 25 ICP 371
 Age / Calves 8yr.2m. / 7
 Cow/Wean Ratio: 52.33%
 Cow Eff. 107
 Avg. WI/Calf: 105 / 7

SNYBERG SB 040117 - A
 0063393367- 15-OCT-04- DNA: U176010

HERONCLIFF HC 070019 - SP
 0065209199 - 13-AUG-07
 AFC 38 ICP 514
 Age / Calves 7yr.4m. / 4
 Cow Eff. -
 Cow/Wean Ratio: -%
 Avg. WI/Calf: / 0

BHETJANE FF 970037 - SP
 0038512471- 14-MAY-97- DNA: P680/05
BHETJANE FF 970004 - B
 0038512141 - 08-APR-97

WALT GF 010147 - SP
 0045464153 -22-NOV-01- DNA: U151449
WALT GF 060018 - SP
 0062584776 - 18-FEB-06

- H930143 - A
 0044800837 -08-MAY-93- DNA: P3227/02

SNYBERG SB 990033 - B
 0043220086 - 11-JUL-99- DNA: U176011

SNYBERG SB 030034 - B
 0048033443 - 10-OCT-03

Selection V.	CALVING EASE		MILK	CALF GRWTH	MAINTENANCE	GROWTH TEST						FERTILITY			COW VALUE	GROWTH VALUE	PRODUCTION VALUE
	93 ³²	94 ³³	117 ³⁹	91 ²⁸	Type						96 ³⁸						
BV Ind	Birth wght	Birth Mat	Milk	Wean wght	Post wean	Mature wght	ADG	Kleiber	FCR	Length	Height	SC	AFC	ICP	95 ²⁸	106 ³⁶	100 ³²
BV	.29 ³³	.25 ²⁸	-8 ³³	7.3 ³⁹	10.6 ²⁶	9.5 ²⁸	38.2 ³²	49.9 ³²	-	13.7 ³⁶	6.4 ³⁷	5.1 ³⁷	.9 ⁴¹	-2 ²⁷	95 ²⁸	106 ³⁶	100 ³²
Breeder's Remarks: 6M PREGNANT TO FF13-104															Flushings/Embrios/Calves: 0/0/0		
															Tests: CA & TB Tested		
															Vacc. -		

LOT 45

0603085, LEOPARD RIDGE CONSERVANCY CC, T/A DUN NGUNIS,P.O. BOX 7007, GRAHAMSTOWN,6148,(T)083-655 5597



Naam Ident. nommer Geslag Afdeling Reg. nommer Geboorte Datum

WATERHOEK LRC 190010 **LRC 190010** **VROULIK B** **0089013270** **14-JUN-19**

WATERHOEK LRC 190010 - B
0089013270 - 14-JUN-19
OEK - TKP -
Oud. / Kalwers **2j.10m. / 0**
Gem SI/Kalf: / 0
Koei Doelt.: -
Koei/Speen Verh.: -%
KALWINGS

GANNA MVN 100029 - SP
0071695100 -06-SEP-10- DNS: U236816



BUSHKLOOF RV 100052 - A
0072129638 - 08-DEC-10
OEK **30** TKP **362**
Oud. / Kalwers **10j.5m. / 9**
Koei Doelt. -
Koei/Speen Verh.: -%
Gem SI/Kalf: / 0

COMPASSBERG KW 030033 - B
0049813025 -12-OCT-03- DNS: P0000071825

GANNA MVN 030008 - SP
0048035166 - 06-SEP-03
OEK **26** TKP **409**
Oud. / Kalwers **11j.1m. / 9**
Koei/Speen Verh.: -%
Koei Doelt. -
Gem SI/Kalf: **100 / 8**

BUSHKLOOF RV 030099 - A
0062605910- 15-OCT-03- DNS: U0000138524

BUSHKLOOF RV 050065 - FR
0064405400 - 15-OCT-05
OEK - TKP **393**
Oud. / Kalwers **11j.8m. / 9**
Koei Doelt. -
Koei/Speen Verh.: -%
Gem SI/Kalf: / 0

- H 970365 - A
0045505351- 08-OCT-97- GEN: AS004903
- KW 980001 - A
0048529184 - 18-MAY-98

SINRAD JS 930257 - B
0028422319 -24-JUN-93- DNS: P519/04

GANNA MVN 960008 - SP
0039676309 - 20-JUL-96

Seleksie W.	KALF GEMAK		MELK	KALFGROEI	ONDERHOUD		GROEI TOETS					VRUGBAARHEID			KOEI WAARDE	GROEI WAARDE	PRODUKSIE WAARDE
	★ ★ ★	★ ★ ★	★ ★ ★	★ ★ ★	★ ★ ★		Tipe groeipunt					★ ★ ★					
	Geb gew	Geb Mat	Melk	Speen gew	Naspeen	Volw. gewig	GDT	Kleiber	VOV	Lengte	Hoogte	SO	OEK	TKP			
TW Ind	98	101	92	102	98	97	92	92	-	95	100	93	111	100	93 ₂₈	99 ₃₆	96 ₃₂
TW	.1 ₄₂	-.02 ₃₀	-1.1 ₃₃	2.3 ₄₁	1.6 ₂₆	.5 ₂₂	-13.7 ₁₉	5.2 ₁₉	-	-1.2 ₂₁	0 ₂₁	-1.2 ₁	-12.9 ₃₉	-2.1 ₂₄	In Vitro		
Telersopmerkings: 6M PREGNANT TO FF13-104															Spoelings/Embrios/Kalwers: 0/0/0 Toetse: CA & TB Tested Inent. -		

LOT 46

0603085, LEOPARD RIDGE CONSERVANCY CC, T/A DUN NGUNIS,P.O. BOX 7007, GRAHAMSTOWN,6148,(T)083-655 5597



Name Ident. number Sex Section Reg. number Birth Date

WATERHOEK LRC 190011 **LRC 190011** **FEMALE SP** **0089013288** **14-JUN-19**

WATERHOEK LRC 190011 - SP
0089013288 - 14-JUN-19
AFC - ICP -
Age / Calves **2j.10m. / 0**
Avg. WI/Calf: / 0
Cow Eff.: -
Cow/Wean Ratio: -%
CALVINGS

GANNA MVN 100029 - SP
0071695100 -06-SEP-10- DNA: U236816



AMATOLE FHU 090045 - B
0068374578 - 05-MAR-09
AFC **32** ICP **347**
Age / Calves **11yr.2m. / 10**
Cow Eff. -
Cow/Wean Ratio: -%
Avg. WI/Calf: / 0

COMPASSBERG KW 030033 - B
0049813025 -12-OCT-03- DNA: P0000071825

GANNA MVN 030008 - SP
0048035166 - 06-SEP-03
AFC **26** ICP **409**
Age / Calves **11yr.1m. / 9**
Cow/Wean Ratio: -%
Cow Eff. -
Avg. WI/Calf: **100 / 8**

GELYKFONTEIN SW 020022 - SP
0046449898- 12-SEP-02

AMATOLE FHU 960015 - A
0040027757 - 18-AUG-96
AFC - ICP **389**
Age / Calves **16yr.5m. / 14**
Cow Eff. -
Cow/Wean Ratio: -%
Avg. WI/Calf: **90 / 1**

- H 970365 - A
0045505351- 08-OCT-97- GEN: AS004903
- KW 980001 - A
0048529184 - 18-MAY-98

SINRAD JS 930257 - B
0028422319 -24-JUN-93- DNA: P519/04

GANNA MVN 960008 - SP
0039676309 - 20-JUL-96

MKHAYA S 891635 - B
0020587218 -24-OCT-89

GELYKFONTEIN SW 960043 - B
0037929643 - 29-JUL-96

Selection V.	CALVING EASE		MILK	CALF GRWTH	MAINTENANCE		GROWTH TEST					FERTILITY			COW VALUE	GROWTH VALUE	PRODUCTION VALUE
	★ ★ ★	★ ★ ★	★ ★ ★	★ ★ ★	★ ★ ★		Type					★ ★ ★					
	Birth wght	Birth Mat	Milk	Wean wght	Post wean	Mature wght	ADG	Kleiber	FCR	Length	Height	SC	AFC	ICP			
BV Ind	104	114	93	95	92	103	94	96	-	90	97	91	105	89	85 ₂₉	85 ₃₈	84 ₃₄
BV	-2.4 ₄₄	-.39 ₃₈	-.9 ₃₇	0 ₄₁	-1.4 ₂₆	5.1 ₂₄	-10.9 ₂₀	12.1 ₂₀	-	-4.6 ₂₂	-1 ₂₂	-7 ₂₂	-8.6 ₄₁	-4 ₂₈	In Vitro		
Breeder's Remarks: 6,5M PREGNANT TO FF13-104															Flushings/Embrios/Calves: 0/0/0 Tests: CA & TB Tested Vacc. -		

LOT 47

0603085, LEOPARD RIDGE CONSERVANCY CC, T/A DUN NGUNIS,P.O. BOX 7007, GRAHAMSTOWN,6148,(T)083-655 5597



Naam Ident. nommer Geslag Afdeling Reg. nommer Geboorte Datum

WATERHOEK LRC 190013 **LRC 190013** **VROULIK SP** **0089247225** **10-JUL-19**

WATERHOEK LRC 190013 - SP
0089247225 - 10-JUL-19
OEK - TKP -
Oud. / Kalwers **2j.9m. / 0**
Gem SI/Kalf: / 0
Koei Doelt.: -
Koei/Speen Verh.: -%
KALWINGS

NTSIKIZI PH 140207 - SP
0080352867 -27-OCT-14- DNS: C18-18249



GARIEP FB 160089 - B
0084460385 - 29-SEP-16

OEK **33** TKP **458**
Oud. / Kalwers **5j.3m. / 3**
Koei Doelt. -
Koei/Speen Verh.: -%
Gem SI/Kalf: / 0

GARIEP FB 070123 - SP
0065859027 -01-DEC-07- DNS: U156016

NTSIKIZI PH 060012 - SP
0062178520 - 12-FEB-06

OEK **31** TKP **426**
Oud. / Kalwers **11j.10m. / 9**
Koei/Speen Verh.: **41%**
Koei Doelt. **107**
Gem SI/Kalf: **102 / 5**

GARIEP FB 110060 - SP
0074293127 - 22-OCT-11- DNS: U261502

GARIEP FB 130165 - A
0079025508 - 14-DEC-13

OEK **33** TKP **346**
Oud. / Kalwers **7j.6m. / 6**
Koei Doelt. -
Koei/Speen Verh.: -%
Gem SI/Kalf: / 0

WALT GF 970056 - B
0039633979- 15-NOV-97- LID: X970004484

GARIEP FB 040014 - SP
0048528756 - 01-MAR-04

HENHAM HW 960016 - B
0037243128 -30-OCT-96- DNS: U31126

NTSIKIZI PH 990002 - B
0043496264 - 01-DEC-99

GARIEP FB 060029 - SP
0062942289 -25-MAY-06- DNS: U235613

GARIEP FB 040088 - B
0049433105 - 17-NOV-04

- ANS 021230 - FR
0070556550- 15-OCT-02- DNS: U156023

GARIEP FB 100024 - SP
0070911557 - 20-MAY-10

Seleksie W.	KALF GEMAK		MELK	KALFGROEI	ONDERHOUD		GROEI TOETS					VRUGBAARHEID		KOEI WAAARDE	GROEI WAAARDE	PRODUKSIE WAAARDE
	★★★★	★★★	★★	★★★	★★★★	Tipe groeipunt					★★★	★★★				
	111 ₂₇	81 ₂₉	94 ₂₉	121 ₁₄	GDT	Kleiber	VOV	Lengte	Hoogte	SO	OEK	TKP	107 ₃₅	★★★★	★★★★	★★★★
TW Ind	106	117	81	94	87	81	-	-	-	-	-	84	110	104 ₂₃	104 ₂₈	104 ₂₆
TW	-31 ₂₈	-47 ₂₃	-3.6 ₂₉	-6 ₂₉	-3.8 ₁₄	-12.3 ₁₄	-	-	-	-	-	8.41	-4.2 ₂₃	In Vitro		
Telersopmerkings: 6M PREGNANT TO T17-86													Spoelings/Embrios/Kalwers: 0/0/0 Toetse: CA & TB Tested Inent. -			

LOT 48

0603085, LEOPARD RIDGE CONSERVANCY CC, T/A DUN NGUNIS,P.O. BOX 7007, GRAHAMSTOWN,6148,(T)083-655 5597



Name Ident. number Sex Section Reg. number Birth Date

WATERHOEK LRC 190014 **LRC 190014** **FEMALE SP** **0089013304** **11-JUL-19**

WATERHOEK LRC 190014 - SP
0089013304 - 11-JUL-19
AFC - ICP -
Age / Calves **2j.9m. / 0**
Avg. WI/Calf: / 0
Cow Eff.: -
Cow/Wean Ratio: -%
CALVINGS

NTSIKIZI PH 140207 - SP
0080352867 -27-OCT-14- DNA: C18-18249



GARIEP FB 140053 - SP
0080670235 - 24-SEP-14

AFC **31** ICP **406**
Age / Calves **7yr.0m. / 5**
Cow Eff. -
Cow/Wean Ratio: -%
Avg. WI/Calf: / 0

GARIEP FB 070123 - SP
0065859027 -01-DEC-07- DNA: U156016

NTSIKIZI PH 060012 - SP
0062178520 - 12-FEB-06

AFC **31** ICP **426**
Age / Calves **11yr.10m. / 9**
Cow/Wean Ratio: **41%**
Cow Eff. **107**
Avg. WI/Calf: **102 / 5**

GARIEP FB 110037 - SP
0073947186- 22-SEP-11- DNA: U232245

GARIEP FB 110058 - SP
0074293101 - 20-OCT-11

AFC **35** ICP **397**
Age / Calves **6yr.2m. / 4**
Cow Eff. -
Cow/Wean Ratio: -%
Avg. WI/Calf: / 0

WALT GF 970056 - B
0039633979- 15-NOV-97- LID: X970004484

GARIEP FB 040014 - SP
0048528756 - 01-MAR-04

HENHAM HW 960016 - B
0037243128 -30-OCT-96- DNA: U31126

NTSIKIZI PH 990002 - B
0043496264 - 01-DEC-99

GARIEP FB 070123 - SP
0065859027 -01-DEC-07- DNA: U156016

- TOL 020121 - B
0048628820 - 24-OCT-02

GARIEP FB 060029 - SP
0062942289 - 25-MAY-06- DNA: U235613

GARIEP FB 070027 - SP
0064400047 - 20-MAR-07

Selection V.	CALVING EASE		MILK	CALF GRWTH	MAINTENANCE		GROWTH TEST					FERTILITY		COW VALUE	GROWTH VALUE	PRODUCTION VALUE
	★★★★	★★★	★★	★★★	Type					★★★	★★★					
	110 ₁₄	73 ₁₈	97 ₂₄	-	-	-	ADG	Kleiber	FCR	Length	Height	SC	AFC	ICP		
BV Ind	106	-	73	97	-	-	-	-	-	-	-	-	71	121		
BV	-28 ₁₇	-	-5.4 ₁₈	.6 ₂₄	-	-	-	-	-	-	-	-	18.3 ₄₂	-6.8 ₁₅	In Vitro	
Breeder's Remarks: 7,5M PREGNANT TO FF13-104													Flushings/Embrios/Calves: 0/0/0 Tests: CA & TB Tested Vacc. -			

LOT 49

0603085, LEOPARD RIDGE CONSERVANCY CC, T/A DUN NGUNIS,P.O. BOX 7007, GRAHAMSTOWN,6148,(T)083-655 5597



Naam Ident. nommer Geslag Afdeling Reg. nommer Geboorte Datum

WATERHOEK LRC 190015 **LRC 190015** **VROULIK SP** **0089013312** **23-JUL-19**

WATERHOEK LRC 190015 - SP
0089013312 - 23-JUL-19
OEK - TKP -
Oud. / Kalwers **2j.8m. / 0**
Gem SI/Kalf: **/ 0**
Koei Doelt.: -
Koei/Speen Verh.: **-%**
KALWINGS

NANDIT 150107 - SP
0082180720 -17-AUG-15- DNS: U514852



ROUS HW 150084 - SP
0083018655 - 11-NOV-15
OEK **25** TKP **585**
Oud. / Kalwers **3j.8m. / 2**
Koei Doelt. **86**
Koei/Speen Verh.: **41.69%**
Gem SI/Kalf: **/ 0**

NANDIT 090143 - B
0068949189 -06-AUG-09- DNS: U151553

NANDIT 090111 - B
0068939875 - 24-JUL-09

OEK **39** TKP **500**
Oud. / Kalwers **10j.0m. / 6**
Koei/Speen Verh.: **-%**
Koei Doelt. **-**
Gem SI/Kalf: **118 / 1**

ARUNDEL E 120148 - SP
0076521384- 01-NOV-12- DNS: U199162

ROUS HW 130335 - SP
0078988755 - 28-NOV-13

OEK **23** TKP **366**
Oud. / Kalwers **7j.11m. / 7**
Koei Doelt. **-**
Koei/Speen Verh.: **-%**
Gem SI/Kalf: **88 / 1**

- YZ 030009 - A
0064789670- 15-OCT-03
NANDI T 040007 - SP
0048207260 - 13-FEB-04

- H 990174 - A
0046500526 -01-JAN-99- DNS: XMF371244388
NANDI T 020213 - SP
0046619805 - 20-OCT-02

GARIEP FB 090045 - SP
0069292753 -18-AUG-09- DNS: U199170

ARUNDEL E 090049 - SP
0070772769 - 28-OCT-09

ROUS HW 040398 - SP
0049846090- 30-DEC-04- DNS: U161534

ROUS HW 080004 - SP
0067903195 - 01-NOV-08

Seleksie W.	KALF GEMAK		MELK	KALFGROEI	ONDERHOUD		GROEI TOETS					VRUGBAARHEID		KOEI WAARDE	GROEI WAARDE	PRODUKSIE WAARDE	
	108 ₄₈	100 ₂₂	82 ₃₈	115 ₇	Tipe groeipunt					110 ₃₀							
TW Ind	Geb gew	Geb Mat	Melk	Speen gew	Naspeen	Volw. gewig	GDT	Kleiber	VOV	Lengte	Hoogte	SO	OEK	TKP	106 ₂₁	95 ₂₉	99 ₂₅
TW	-24 ₅₂	-35 ₃₀	.5 ₂₂	-4.4 ₃₈	-	-7.4 ₇	-	-	-	-	-	-	109	109	In Vitro		
Telersopmerkings: 7,5M PREGNANT TO FF13-104														Spoelings/Embrios/Kalwers: 0/0/0 Toetse: CA & TB Tested Inent. -			

LOT 50

0603085, LEOPARD RIDGE CONSERVANCY CC, T/A DUN NGUNIS,P.O. BOX 7007, GRAHAMSTOWN,6148,(T)083-655 5597



Name Ident. number Sex Section Reg. number Birth Date

WATERHOEK LRC 190025 **LRC 190025** **FEMALE SP** **0089013403** **20-AUG-19**

WATERHOEK LRC 190025 - SP
0089013403 - 20-AUG-19
AFC - ICP -
Age / Calves **2j.8m. / 0**
Avg. WI/Calf: **/ 0**
Cow Eff.: -
Cow/Wean Ratio: **-%**
CALVINGS

GMD GMD 070220 - SP
0064235187 -06-APR-07- DNA: U102905



NTABA ANS 160062 - B
0084353119 - 09-OCT-16

AFC **34** ICP **388**
Age / Calves **4yr.11m. / 3**
Cow Eff. **-**
Cow/Wean Ratio: **-%**
Avg. WI/Calf: **/ 0**

TAFELSIG CS 040023 - B
0048800551 -25-JUN-04- DNA: U169876

MATOTOLAND GMD 030042 - SP
0048486955 - 17-JUL-03

AFC **30** ICP **392**
Age / Calves **13yr.3m. / 11**
Cow/Wean Ratio: **-%**
Cow Eff. **-**
Avg. WI/Calf: **102 / 3**

TALKING-HILL SY 070144 - A
0068228634- 08-OCT-07- DNA: U0000161507

NTABA ANS 130073 - A
0078214566 - 18-SEP-13

AFC **37** ICP **358**
Age / Calves **7yr.11m. / 6**
Cow Eff. **-**
Cow/Wean Ratio: **-%**
Avg. WI/Calf: **120 / 1**

TAFELSIG CS 950321 - A
0040384414- 01-JAN-95

TAFELSIG CS 010070 - SP
0045162252 - 02-SEP-01

MAGARAMOMBE AVM 990108 - SP
0043125350 -05-OCT-99- DNA: U142243

MODJADJI LEB 000535 - B
0044585446 - 30-OCT-00

--- MS
0135431189 -01-JAN-40

TALKING-HILL SY 050074 - A
0068190859 - 01-MAY-05

- ANS 050300 - A
0068669159- 15-OCT-05- DNA: U000016151

- ANS 040040 - A
0064133762 - 15-OCT-04

Selection V.	CALVING EASE		MILK	CALF GRWTH	MAINTENANCE		GROWTH TEST					FERTILITY			COW VALUE	GROWTH VALUE	PRODUCTION VALUE
	111 ₅₃	99 ₄₅	86 ₄₆	95 ₂₈	Type					108 ₄₄							
BV Ind	Birth wght	Birth Mat	Milk	Wean wght	Post wean	Mature wght	ADG	Kleiber	FCR	Length	Height	SC	AFC	ICP	96 ₃₃	84 ₄₃	89 ₃₈
BV	-37 ₅₃	-86 ₅₁	.2 ₄₅	-3.1 ₄₆	-2.7 ₂₉	5.5 ₂₈	-8.7 ₁₉	10.4 ₁₉	-	.4 ₂₁	-3.8 ₂₂	1.9 ₂₁	-7.3 ₄₈	-6 ₂₉	In Vitro		
Breeder's Remarks: 6,5M PREGNANT TO FF13-104														Flushings/Embrios/Calves: 0/0/0 Tests: CA & TB Tested Vacc. -			

LOT 51

0603085, LEOPARD RIDGE CONSERVANCY CC, T/A DUN NGUNIS,P.O. BOX 7007, GRAHAMSTOWN,6148,(T)083-655 5597



Naam Ident. nommer Geslag Afdeling Reg. nommer Geboorte Datum

WATERHOEK LRC 190028 VROULIK SP 0089419915 16-AUG-19

WATERHOEK LRC 190028

WATERHOEK LRC 190028 - SP

0089419915 - 16-AUG-19

OEK - TKP -
Oud. / Kalwers 2j.8m. / 0
Gem SI/Kalf: / 0
Koei Doelt.: -
Koei/Speen Verh.: -%
KALWINGS -

BHETJANE FF 130104 - SP

0078886504 -08-NOV-13- DNS: U369376



BUSHKLOOF RV 160049 - SP

0084366715 - 17-OCT-16

OEK 34 TKP 502
Oud. / Kalwers 4j.2m. / 2
Koei Doelt. -
Koei/Speen Verh.: -%
Gem SI/Kalf: / 0

BHETJANE FF 050023 - SP

0061992715 -25-SEP-05- DNS: U1386071

WALT GF 070097 - SP

0065235574 - 11-OCT-07

OEK 25 TKP 371
Oud. / Kalwers 8j.2m. / 7
Koei/Speen Verh.: 52.33%
Koei Doelt. 107
Gem SI/Kalf: 105 / 7

SEDIBALETSA ISF 060022 - SP

0064120652- 15-NOV-06- DNS: U115126

BUSHKLOOF RV 120098 - B

0076505114 - 17-DEC-12

OEK 29 TKP 493
Oud. / Kalwers 6j.5m. / 4
Koei Doelt. -
Koei/Speen Verh.: -%
Gem SI/Kalf: / 0

BHETJANE FF 970037 - SP

0038512471- 14-MAY-97- DNS: P680/05

BHETJANE FF 970004 - B

0038512141 - 08-APR-97

WALT GF 010147 - SP

0045464153 -22-NOV-01- DNS: U151449

WALT GF 060018 - SP

0062584776 - 18-FEB-06

BHETJANE FF 010136 - SP

0045377017 -13-OCT-01- DNS: X0000110589

SEDIBALETSA ISF 040012 - SP

0049403454 - 30-SEP-04

BUSHKLOOF RV 050035 - A

0066155581- 25-SEP-05- DNS: U115125

AMATOLE FHU 010021 - SP

0044581734 - 27-MAR-01

Seleksie W.	KALF GEMAK		MELK	KALFGROEI	ONDERHOUD	GROEI TOETS						VRUGBAARHEID			KOEI WAARDE	GROEI WAARDE	PRODUKSIE WAARDE					
	★★★	★★★	★★★	★★★★	★★★	Tipe groeipunt						★★★	★★★	★★★								
	93 ₃₃	91 ₃₆	113 ₄₂	92 ₂₈	Geb gew	Geb Mat	Melk	Speen gew	Naspeen	Volw. gewig	GDT	Kleiber	VOV	Lengte	Hoogte	SO	OEK	TKP	108 ₃₆	★★★	★★★	★★★
TW Ind	93	99	91	113	114	107	111	115	-	106	104	109	111	108	103 ₂₈	107 ₃₇	105 ₃₂	In Vitro				
TW	.36 ₃₄	.03 ₃₀	-1.5 ₃₆	6 ₄₂	8.9 ₂₈	8.4 ₂₈	25.1 ₃₁	41.6 ₃₁	-	6.3 ₃₅	2.1 ₃₇	5.7 ₃₆	-12.5 ₃₈	-3.8 ₂₈	In Vitro							
Telersopmerkings: 8M PREGNANT TO FF13-104																		Spoelings/Embrios/Kalwers: 0/0/0 Toetse: CA & TB Tested Inent. -				

LOT 52

0603085, LEOPARD RIDGE CONSERVANCY CC, T/A DUN NGUNIS,P.O. BOX 7007, GRAHAMSTOWN,6148,(T)083-655 5597



Name Ident. number Sex Section Reg. number Birth Date

WATERHOEK LRC 190030 FEMALE SP 0089419931 02-OCT-19

WATERHOEK LRC 190030

WATERHOEK LRC 190030 - SP

0089419931 - 02-OCT-19

AFC - ICP -
Age / Calves 2j.6m. / 0
Avg. WI/Calf: / 0
Cow Eff.: -
Cow/Wean Ratio: -%
CALVINGS -

BHETJANE FF 130104 - SP

0078886504 -08-NOV-13- DNA: U369376



LEROYENDALL RY 080048 - SP

0067446039 - 20-NOV-08

AFC 32 ICP 506
Age / Calves 12yr.4m. / 8
Cow Eff. 114
Cow/Wean Ratio: 50%
Avg. WI/Calf: 87 / 1

BHETJANE FF 050023 - SP

0061992715 -25-SEP-05- DNA: U1386071

WALT GF 070097 - SP

0065235574 - 11-OCT-07

AFC 25 ICP 371
Age / Calves 8yr.2m. / 7
Cow/Wean Ratio: 52.33%
Cow Eff. 107
Avg. WI/Calf: 105 / 7

RODS WRA 050019 - SP

0061089884- 04-FEB-05

LEROYENDALL RY 060005 - B

0062712468 - 15-MAR-06

AFC 32 ICP 387
Age / Calves 15yr.4m. / 13
Cow Eff. -
Cow/Wean Ratio: -%
Avg. WI/Calf: 89 / 4

BHETJANE FF 970037 - SP

0038512471- 14-MAY-97- DNA: P680/05

BHETJANE FF 970004 - B

0038512141 - 08-APR-97

WALT GF 010147 - SP

0045464153 -22-NOV-01- DNA: U151449

WALT GF 060018 - SP

0062584776 - 18-FEB-06

RODS WRA 010083 - B

0046063236 -13-NOV-01- BLD: P172802

RODS WRA 020005 - B

0045919974 - 23-JAN-02

ELTEE LT 990006 - SP

0044515641 - 21-NOV-99

LEROYENDALL RY 020084 - A

0061877999 - 15-OCT-02

Selection V.	CALVING EASE		MILK	CALF GRWTH	MAINTENANCE	GROWTH TEST						FERTILITY			COW VALUE	GROWTH VALUE	PRODUCTION VALUE					
	★★★	★★★	★★★	★★★★	★★★	Type						★★★	★★★	★★★								
	104 ₄₂	92 ₄₂	118 ₅₂	94 ₃₂	Birth wght	Birth Mat	Milk	Wean wght	Post wean	Mature wght	ADG	Kleiber	FCR	Length	Height	SC	AFC	ICP	104 ₃₈	★★★	★★★★	★★★★
BV Ind	107	83	92	118	119	104	116	120	-	112	111	107	110	101	104 ₃₂	115 ₄₃	110 ₃₈	In Vitro				
BV	-35 ₄₄	.47 ₃₃	-1.2 ₄₂	7.8 ₅₂	11.5 ₃₀	6.3 ₃₂	35.7 ₃₀	49.8 ₃₀	-	10.8 ₃₄	5 ₃₅	5.1 ₃₅	-12.1 ₄₁	-2.3 ₂₈	In Vitro							
Breeder's Remarks: 5M PREGNANT TO FF13-104																		Flushings/Embrios/Calves: 0/0/0 Tests: CA & TB Tested Vacc. -				

LOT 53

0603085, LEOPARD RIDGE CONSERVANCY CC, T/A DUN NGUNIS,P.O. BOX 7007, GRAHAMSTOWN,6148,(T)083-655 5597



Naam Ident. nommer Geslag Afdeling Reg. nommer Geboorte Datum

WATERHOEK LRC 190031 **LRC 190031** **VROULIK SP** **0089419949** **02-OCT-19**

WATERHOEK LRC 190031 - SP
0089419949 - 02-OCT-19
OEK - TKP -
Oud. / Kalwers **2j.6m. / 0**
Gem SI/Kalf: **/ 0**
Koei Doelt.: -
Koei/Speen Verh.: **-%**
KALWINGS
-

GANNA MVN 100029 - SP
0071695100 -06-SEP-10- DNS: U236816



SLAGBOOM WT 100030 - B
0071005557 - 22-JUN-10
OEK **39** TKP **372**
Oud. / Kalwers **10j.4m. / 8**
Koei Doelt. -
Koei/Speen Verh.: **-%**
Gem SI/Kalf: **/ 0**

COMPASSBERG KW 030033 - B
0049813025 -12-OCT-03- DNS: P0000071825

GANNA MVN 030008 - SP
0048035166 - 06-SEP-03
OEK **26** TKP **409**
Oud. / Kalwers **11j.1m. / 9**
Koei/Speen Verh.: **-%**
Koei Doelt. -
Gem SI/Kalf: **100 / 8**

KLEINZUURBRON LP 030036 - B
0047666433- 26-APR-03

- WT 030013 - A
0062608161 - 15-OCT-03
OEK - TKP **345**
Oud. / Kalwers **8j.8m. / 8**
Koei Doelt. -
Koei/Speen Verh.: **-%**
Gem SI/Kalf: **/ 0**

- H 970365 - A
0045505351- 08-OCT-97- GEN: AS004903
- KW 980001 - A
0048529184 - 18-MAY-98

SINRAD JS 930257 - B
0028422319 -24-JUN-93- DNS: P519/04

GANNA MVN 960008 - SP
0039676309 - 20-JUL-96

- JS 940214 - B
0044575678 -01-JAN-94- DNS: P3253/03

- MTN 950076 - A
0045525383 - 01-JAN-95

Seleksie W.	KALF GEMAK		MELK	KALFGROEI	ONDERHOUD		GROEI TOETS					VRUGBAARHEID			KOEI WAARDE	GROEI WAARDE	PRODUKSIE WAARDE
	105 ₃₁	97 ₃₇	98 ₄₂	106 ₂₅	Tipe groeipunt					97 ₃₉							
TW Ind	Geb gew	Geb Mat	Melk	Speen gew	Naspeen	Volw. gewig	GDT	Kleiber	VOV	Langte	Hoogte	SO	OEK	TKP	95 ₂₉	98 ₃₈	96 ₃₄
TW	-19 ₃₂	-02 ₂₈	-1.37	.8 ₄₂	.5 ₂₇	-7.25	-15.2 ₁₉	5.7 ₁₉	-	-3.4 ₂₁	-1.2 ₂₂	-4.2 ₁	-15.4 ₄₁	-1.1 ₂₅	In Vitro		
Telersopmerkings: 5M PREGNANT TO FF13-104															Spoelings/Embrios/Kalwers: 0/0/0 Toetse: CA & TB Tested Inent. -		

LOT 54

0603085, LEOPARD RIDGE CONSERVANCY CC, T/A DUN NGUNIS,P.O. BOX 7007, GRAHAMSTOWN,6148,(T)083-655 5597



Name Ident. number Sex Section Reg. number Birth Date

WATERHOEK LRC 190033 **LRC 190033** **FEMALE SP** **0089419964** **05-OCT-19**

WATERHOEK LRC 190033 - SP
0089419964 - 05-OCT-19
AFC - ICP -
Age / Calves **2j.6m. / 0**
Avg. WI/Calf: **/ 0**
Cow Eff.: -
Cow/Wean Ratio: **-%**
CALVINGS
-

GANNA MVN 100029 - SP
0071695100 -06-SEP-10- DNA: U236816



VELDMASTER GA 160071 - SP
0084773811 - 23-NOV-16
AFC **34** ICP -
Age / Calves **2yr.10m. / 1**
Cow Eff. -
Cow/Wean Ratio: **-%**
Avg. WI/Calf: **/ 0**

COMPASSBERG KW 030033 - B
0049813025 -12-OCT-03- DNA: P0000071825

GANNA MVN 030008 - SP
0048035166 - 06-SEP-03
AFC **26** ICP **409**
Age / Calves **11yr.1m. / 9**
Cow/Wean Ratio: **-%**
Cow Eff. -
Avg. WI/Calf: **100 / 8**

GANNA MVN 090069 - SP
0069454635- 12-OCT-09- GEN: AS003148

GANNA MVN 100069 - SP
0071695183 - 12-OCT-10
AFC **26** ICP **365**
Age / Calves **11yr.2m. / 10**
Cow Eff. **96**
Cow/Wean Ratio: **47.01%**
Avg. WI/Calf: **93 / 5**

- H 970365 - A
0045505351- 08-OCT-97- GEN: AS004903
- KW 980001 - A
0048529184 - 18-MAY-98

SINRAD JS 930257 - B
0028422319 -24-JUN-93- DNA: P519/04

GANNA MVN 960008 - SP
0039676309 - 20-JUL-96

GANNA MVN 030108 - B
0048036107 -25-OCT-03- DNA: U164624

GANNA MVN 040036 - SP
0049156557 - 05-OCT-04

GANNA MVN 050093 - SP
0062017215- 26-OCT-05

GANNA MVN 000006 - B
0043369941 - 19-MAY-00

Selection V.	CALVING EASE		MILK	CALF GRWTH	MAINTENANCE		GROWTH TEST					FERTILITY			COW VALUE	GROWTH VALUE	PRODUCTION VALUE
	108 ₃₁	100 ₄₀	100 ₄₇	95 ₂₄	Type					96 ₃₆							
BV Ind	Birth wght	Birth Mat	Milk	Wean wght	Post wean	Mature wght	ADG	Kleiber	FCR	Length	Height	SC	AFC	ICP	92 ₂₉	94 ₃₉	92 ₃₄
BV	-36 ₃₂	.01 ₂₅	.4 ₄₀	1.5 ₄₇	.7 ₃₀	5.3 ₂₄	3.7 ₂₂	21.9 ₂₂	-	-1.5 ₂₅	-2.4 ₂₆	1.4 ₂₆	-7.9 ₃₉	-1.7 ₂₁	In Vitro		
Breeder's Remarks: 7M PREGNANT TO FF13-104															Flushings/Embrios/Calves: 0/0/0 Tests: CA & TB Tested Vacc. -		

LOT 55

0603085, LEOPARD RIDGE CONSERVANCY CC, T/A DUN NGUNIS,P.O. BOX 7007, GRAHAMSTOWN,6148,(T)083-655 5597



Naam Ident. nommer Geslag Afdeling Reg. nommer Geboorte Datum

WATERHOEK LRC 190037 VROULIK SP 0089492250 10-NOV-19

WATERHOEK LRC 190037 - SP
0089492250 - 10-NOV-19
OEK - TKP -
Oud. / Kalwers 2j.5m. / 0
Gem SI/Kalf: / 0
Koei Doelt.: -
Koei/Speen Verh.: -%
KALWINGS -

BHETJANE FF 130104 - SP
0078886504 -08-NOV-13- DNS: U369376



BUSHKLOOF RV 110005 - SP
0072725542 - 17-FEB-11
OEK 29 TKP 440
Oud. / Kalwers 10j.9m. / 8
Koei Doelt. -
Koei/Speen Verh.: -%
Gem SI/Kalf: / 0

BHETJANE FF 050023 - SP
0061992715 -25-SEP-05- DNS: U1386071

WALT GF 070097 - SP
0065235574 - 11-OCT-07

OEK 25 TKP 371
Oud. / Kalwers 8j.2m. / 7
Koei/Speen Verh.: 52.33%
Koei Doelt. 107
Gem SI/Kalf: 105 / 7

SEDIBALETSA ISF 060022 - SP
0064120652- 15-NOV-06- DNS: U115126

BUSHKLOOF RV 080024 - SP
0066840315 - 01-AUG-08

OEK 31 TKP 445
Oud. / Kalwers 4j.11m. / 3
Koei Doelt. -
Koei/Speen Verh.: -%
Gem SI/Kalf: / 0

BHETJANE FF 970037 - SP
0038512471- 14-MAY-97- DNS: P680/05

BHETJANE FF 970004 - B
0038512141 - 08-APR-97

WALT GF 010147 - SP
0045464153 -22-NOV-01- DNS: U151449

WALT GF 060018 - SP
0062584776 - 18-FEB-06

BHETJANE FF 010136 - SP
0045377017 -13-OCT-01- DNS: X0000110589

SEDIBALETSA ISF 040012 - SP
0049403454 - 30-SEP-04

MODJADJI LEB 000115 - B
0044585099- 12-OCT-00

BUSHKLOOF RV 020010 - SP
0046509683 - 05-OCT-02

Seleksie W.	KALF GEMAK		MELK	KALFGROEI	ONDERHOUD		GROEI TOETS					VRUGBAARHEID			KOEI WAARDE	GROEI WAARDE	PRODUKSIE WAARDE
	★★★	★★★	★★	★★★★	★★★	★★★	Tipe groeipunt					★★★★					
	94 ₃₅	88 ₃₇	117 ₄₂	90 ₂₉	GDT	Kleiber	VOV	Lengte	Hoogte	SO	OEK	TKP	115 ₄₀	★★★★	★★★★	★★★★	
TW Ind	95	97	88	117	118	109	116	119	-	112	108	116	124	114	109 ₃₀	113 ₃₉	111 ₃₄
TW	.28 ₃₆	.09 ₃₁	-2.1 ₃₇	7.3 ₄₂	10.9 ₂₈	10.3 ₂₉	35 ₃₃	47.9 ₃₃	-	10.6 ₃₆	3.6 ₃₈	8.3 ₃₇	-22.8 ₄₃	-5.3 ₃₀	In Vitro		
Telersopmerkings: 7M PREGNANT TO FF13-104													Spoelings/Embrios/Kalwers: 0/0/0 Toetse: CA & TB Tested Inent. -				

LOT 56

0603085, LEOPARD RIDGE CONSERVANCY CC, T/A DUN NGUNIS,P.O. BOX 7007, GRAHAMSTOWN,6148,(T)083-655 5597



Name Ident. number Sex Section Reg. number Birth Date

WATERHOEK LRC 190042 FEMALE A 0089492292 03-NOV-19

WATERHOEK LRC 190042 - A
0089492292 - 03-NOV-19
AFC - ICP -
Age / Calves 2j.5m. / 0
Avg. WI/Calf: / 0
Cow Eff.: -
Cow/Wean Ratio: -%
CALVINGS -

--- MS
0135431189 -01-JAN-40



MIDLANDS IMPERIAL MII 160232 - A
0085114353 - 22-DEC-16

AFC 34 ICP 554
Age / Calves 4yr.4m. / 2
Cow Eff. -
Cow/Wean Ratio: -%
Avg. WI/Calf: / 0

--- MS
0135431189- 01-JAN-40

TAFELSIG CS 090401 - A
0069390508 - 20-OCT-09

AFC 33 ICP 378
Age / Calves 10yr.0m. / 8
Cow Eff. -
Cow/Wean Ratio: -%
Avg. WI/Calf: / 0

TAFELSIG CS 050390 - A
0065041865- 15-OCT-05- DNA: U158762

TAFELSIG CS 070348 - B
0064884737 - 29-JUL-07

Selection V.	CALVING EASE		MILK	CALF GRWTH	MAINTENANCE		GROWTH TEST					FERTILITY			COW VALUE	GROWTH VALUE	PRODUCTION VALUE
	★★	★★	★★★	★★★	-	-	Type					★★					
	88 ₆	103 ₁₁	100 ₁₇	-	-	-	ADG	Kleiber	FCR	Length	Height	SC	AFC	ICP	-	-	-
BV Ind	87	106	103	100	-	-	-	-	-	-	-	-	97	92	-	-	-
BV	.7 ₆	-.15 ₆	1.2 ₁₁	1.5 ₁₇	-	-	-	-	-	-	-	-	-1.9 ₁₁	-2 ₇	In Vitro		
Breeder's Remarks: 7,5M PREGNANT TO FF13-104													Flushings/Embrios/Calves: 0/0/0 Tests: CA & TB Tested Vacc. -				

LOT 57

0603085, LEOPARD RIDGE CONSERVANCY CC, T/A DUN NGUNIS,P.O. BOX 7007, GRAHAMSTOWN,6148,(T)083-655 5597



Naam Ident. nommer Geslag Afdeling Reg. nommer Geboorte Datum

WATERHOEK LRC 190043 **LRC 190043** **VROULIK SP** **0089492300** **03-NOV-19**

WATERHOEK LRC 190043 - SP
0089492300 - 03-NOV-19
OEK - TKP -
Oud. / Kalwers **2j.5m. / 0**
Gem SI/Kalf: **/ 0**
Koei Doelt.: -
Koei/Speen Verh.: **-%**
KALWINGS
-

BUSHKLOOF RV 150034 - SP
0082048273 -18-JUL-15- DNS: U444256



KRAGGA KAMMA DS 170035 - SP
0088767298 - 04-SEP-17
OEK **26** TKP -
Oud. / Kalwers **2j.1m. / 1**
Koei Doelt. -
Koei/Speen Verh.: **-%**
Gem SI/Kalf: **/ 0**

SEDIBALETSA ISF 060022 - SP
0064120652 -15-NOV-06- DNS: U115126

BUSHKLOOF RV 090044 - B
0069547891 - 25-OCT-09
OEK **33** TKP **377**
Oud. / Kalwers **9j.11m. / 8**
Koei/Speen Verh.: **-%**
Koei Doelt. -
Gem SI/Kalf: **/ 0**

SNYBERG SB 080217 - SP
0067154294- 15-AUG-08- DNS: U162619

QUAGGA FLATS GL 110034 - SP
0073951956 - 09-OCT-11
OEK **35** TKP **359**
Oud. / Kalwers **5j.10m. / 4**
Koei Doelt. **98**
Koei/Speen Verh.: **43.28%**
Gem SI/Kalf: **/ 0**

BHETJANE FF 010136 - SP
0045377017- 13-OCT-01- DNS: X0000110589
SEDIBALETSA ISF 040012 - SP
0049403454 - 30-SEP-04

BUSHKLOOF RV 030099 - A
0062605910 -15-OCT-03- DNS: U0000138524
BUSHKLOOF RV 030083 - SP
0049075344 - 23-NOV-03

TSHIKALANGA VAD 020005 - B
0047365192 -11-APR-02- DNS: U163285

SNYBERG SB 010052 - B
0045713328 - 08-DEC-01

MORGAN AZ 030037 - SP
0047962956- 26-OCT-03- DNS: U177964

QUAGGA FLATS GL 970141 - B
0039702287 - 09-DEC-97

Seleksie W.	KALF GEMAK		MELK	KALFGROEI	ONDERHOUD		GROEI TOETS					VRUGBAARHEID			KOEI WAAARDE	GROEI WAAARDE	PRODUKSIE WAAARDE
	107 ₃₅	35	90 ₂₆	102 ₂₉	103 ₁₇	Tipe groeipunt					110 ₃₃						
TW Ind	Geb gew	Geb Mat	Melk	Speen gew	Naspeen	Volw. gewig	GDT	Kleiber	VOV	Langte	Hoogte	SO	OEK	TKP	3	3	3
TW	105	105	90	102	100	97	89	86	-	93	94	95	105	108	105 ₂₂	105 ₂₈	105 ₂₅
	-26 ₃₆	-13 ₂₈	-1.7 ₂₆	2.2 ₂₉	2.6 ₁₈	.3 ₁₇	-21.1 ₁₂	-3.1 ₁₂	-	-2.3 ₁₃	-2.5 ₁₄	.5 ₁₃	-8 ₃₆	-3.9 ₂₃	In Vitro		
Telersopmerkings: 3M PREG TO FF13-104/T17-86															Spoelings/Embrios/Kalwers: 0/0/0 Toetse: CA & TB Tested Inent. -		

LOT 58

0603085, LEOPARD RIDGE CONSERVANCY CC, T/A DUN NGUNIS,P.O. BOX 7007, GRAHAMSTOWN,6148,(T)083-655 5597



Name Ident. number Sex Section Reg. number Birth Date

WATERHOEK LRC 190044 **LRC 190044** **FEMALE B** **0089492318** **10-NOV-19**

WATERHOEK LRC 190044 - B
0089492318 - 10-NOV-19
AFC - ICP -
Age / Calves **2j.5m. / 0**
Avg. WI/Calf: **/ 0**
Cow Eff.: -
Cow/Wean Ratio: **-%**
CALVINGS
-

NTABA ANS 150087 - A
0082357153 -18-SEP-15- DNA: U514908



NTABA ANS 160090 - B
0084497957 - 08-NOV-16
AFC **36** ICP **670**
Age / Calves **4yr.10m. / 2**
Cow Eff. -
Cow/Wean Ratio: **-%**
Avg. WI/Calf: **/ 0**

- ANS 050300 - A
0068669159 -15-OCT-05- DNA: U000016151

NTABA ANS 110049 - B
0073428997 - 19-JUN-11
AFC **29** ICP **415**
Age / Calves **10yr.4m. / 8**
Cow/Wean Ratio: **-%**
Cow Eff. -
Avg. WI/Calf: **91 / 1**

GMD GMD 070220 - SP
0064235187- 06-APR-07- DNA: U102905

- ANS 040140 - A
0064133689 - 15-OCT-04
AFC - ICP **359**
Age / Calves **13yr.0m. / 10**
Cow Eff. -
Cow/Wean Ratio: **-%**
Avg. WI/Calf: **/ 0**

- ANS 020074 - A
0062963285 -15-OCT-02- DNA: U0000161512
NTABA ANS 060162 - A
0064383458 - 09-NOV-06

TAFELSIG CS 040023 - B
0048800551 -25-JUN-04- DNA: U169876

MATOTOLAND GMD 030042 - SP
0048486955 - 17-JUL-03

Selection V.	CALVING EASE		MILK	CALF GRWTH	MAINTENANCE		GROWTH TEST					FERTILITY			COW VALUE	GROWTH VALUE	PRODUCTION VALUE
	110 ₄₈	48	110 ₂₉	95 ₄₄	101 ₁₅	Type					104 ₃₀						
BV Ind	Birth wght	Birth Mat	Milk	Wean wght	Post wean	Mature wght	ADG	Kleiber	FCR	Length	Height	SC	AFC	ICP	3	3	3
BV	109	100	110	95	98	97	95	92	-	105	102	102	101	102	104 ₂₄	101 ₃₄	102 ₂₉
	-44 ₅₁	-01 ₃₈	2.6 ₂₉	-2.4 ₄₄	1.5 ₁₇	.8 ₁₅	-7.2 ₁₉	6.5 ₁₉	-	6 ₂₂	.9 ₂₃	3.2 ₂₂	-4.7 ₃₀	-2.6 ₁₇	In Vitro		
Breeder's Remarks: 4,5M PREGNANT TO FF13-104															Flushings/Embrios/Calves: 0/0/0 Tests: CA & TB Tested Vacc. -		

LOT 59

0603085, LEOPARD RIDGE CONSERVANCY CC, T/A DUN NGUNIS,P.O. BOX 7007, GRAHAMSTOWN,6148,(T)083-655 5597



Naam Ident. nommer Geslag Afdeling Reg. nommer Geboorte Datum

WATERHOEK LRC 190054 **LRC 190054** **VROULIK SP** **0089658280** **05-DEC-19**

WATERHOEK LRC 190054 - SP
0089658280 - 05-DEC-19
OEK - TKP -
Oud. / Kalwers **2j.4m. / 0**
Gem SI/Kalf: **/ 0**
Koei Doelt.: -
Koei/Speen Verh.: **-%**
KALWINGS
-

BHETJANE FF 130104 - SP
0078886504 -08-NOV-13- DNS: U369376



DU PLESSIS DPN 160007 - SP
0082996554 - 21-JAN-16
OEK **33** TKP **369**
Oud. / Kalwers **5j.9m. / 4**
Koei Doelt. -
Koei/Speen Verh.: **-%**
Gem SI/Kalf: **/ 0**

BHETJANE FF 050023 - SP
0061992715 -25-SEP-05- DNS: U1386071

WALT GF 070097 - SP
0065235574 - 11-OCT-07

OEK **25** TKP **371**
Oud. / Kalwers **8j.2m. / 7**
Koei/Speen Verh.: **52.33%**
Koei Doelt. **107**
Gem SI/Kalf: **105 / 7**

INYUMBA IM 090446 - SP
0069564284- 07-SEP-09- DNS: U186786

DU PLESSIS DPN 030129 - B
0048034334 - 03-DEC-03

OEK **35** TKP **380**
Oud. / Kalwers **13j.3m. / 11**
Koei Doelt. -
Koei/Speen Verh.: **-%**
Gem SI/Kalf: **/ 0**

BHETJANE FF 970037 - SP
0038512471- 14-MAY-97- DNS: P680/05
BHETJANE FF 970004 - B
0038512141 - 08-APR-97

WALT GF 010147 - SP
0045464153 -22-NOV-01- DNS: U151449

WALT GF 060018 - SP
0062584776 - 18-FEB-06

BHETJANE FF 030005 - B
0047473202 -14-AUG-03- DNS: U160094

MTN 020558 - B
0048628465 - 18-MAY-02

RODDA JR 950001 - B
0033446014- 11-FEB-95- DNS: P2138/04

LERATO MAN 970060 - A
0043469030 - 01-JAN-97

Seleksie W.	KALF GEMAK		MELK	KALFGROEI	ONDERHOUD		GROEI TOETS					VRUGBAARHEID			KOEI WAARDE	GROEI WAARDE	PRODUKSIE WAARDE
	☆☆☆		☆☆☆	☆☆☆☆	☆☆☆		Tipe groeipunt					☆☆☆					
	95 ₂₉		94 ₃₄	112 ₄₁	94 ₂₈		GDT	Kleiber	VOV	Langte	Hoogte	SO	OEK	TKP	☆☆☆	☆☆☆	☆☆☆
TW Ind	96	97	94	112	113	104	116	118	-	116	117	107	97	100	101 ₂₈	108 ₃₆	104 ₃₂
TW	.23 ₂₉	.1 ₂₇	-.7 ₃₄	5.7 ₄₁	8.6 ₂₆	6.4 ₂₈	34.5 ₃₂	47.5 ₃₂	-	12.9 ₃₆	7.5 ₃₈	4.9 ₃₇	-1.9 ₃₇	-2.1 ₂₅	In Vitro		
Telersopmerkings: 7M PREGNANT TO FF13-104														Spoelings/Embrios/Kalwers: 0/0/0 Toetse: CA & TB Tested Inent. -			

LOT 60

0603085, LEOPARD RIDGE CONSERVANCY CC, T/A DUN NGUNIS,P.O. BOX 7007, GRAHAMSTOWN,6148,(T)083-655 5597



Name Ident. number Sex Section Reg. number Birth Date

WATERHOEK LRC 190055 **LRC 190055** **FEMALE SP** **0089658298** **05-DEC-19**

WATERHOEK LRC 190055 - SP
0089658298 - 05-DEC-19
AFC - ICP -
Age / Calves **2j.4m. / 0**
Avg. WI/Calf: **/ 0**
Cow Eff.: -
Cow/Wean Ratio: **-%**
CALVINGS
-

BHETJANE FF 130104 - SP
0078886504 -08-NOV-13- DNA: U369376



BUSHKLOOF RV 150042 - SP
0082790056 - 02-NOV-15

AFC **36** ICP **365**
Age / Calves **6yr.0m. / 4**
Cow Eff. -
Cow/Wean Ratio: **-%**
Avg. WI/Calf: **/ 0**

BHETJANE FF 050023 - SP
0061992715 -25-SEP-05- DNA: U1386071

WALT GF 070097 - SP
0065235574 - 11-OCT-07

AFC **25** ICP **371**
Age / Calves **8yr.2m. / 7**
Cow/Wean Ratio: **52.33%**
Cow Eff. **107**
Avg. WI/Calf: **105 / 7**

SEDIBALETSA ISF 060022 - SP
0064120652- 15-NOV-06- DNA: U115126

BUSHKLOOF RV 090063 - B
0069865954 - 07-DEC-09

AFC **31** ICP **391**
Age / Calves **9yr.0m. / 7**
Cow Eff. -
Cow/Wean Ratio: **-%**
Avg. WI/Calf: **/ 0**

BHETJANE FF 970037 - SP
0038512471- 14-MAY-97- DNA: P680/05

BHETJANE FF 970004 - B
0038512141 - 08-APR-97

WALT GF 010147 - SP
0045464153 -22-NOV-01- DNA: U151449

WALT GF 060018 - SP
0062584776 - 18-FEB-06

BHETJANE FF 010136 - SP
0045377017 -13-OCT-01- DNA: X0000110589

SEDIBALETSA ISF 040012 - SP
0049403454 - 30-SEP-04

BHETJANE FF 020159 - B
0046859443- 05-DEC-02- DNA: X0000109906

TRENPARK U 990026 - A
0046028890 - 01-NOV-99

Selection V.	CALVING EASE		MILK	CALF GRWTH	MAINTENANCE		GROWTH TEST					FERTILITY			COW VALUE	GROWTH VALUE	PRODUCTION VALUE
	☆☆☆		☆☆☆	☆☆☆	☆☆☆		Type					☆☆☆☆					
	101 ₃₄		90 ₃₇	109 ₄₂	92 ₂₉		ADG	Kleiber	FCR	Length	Height	SC	AFC	ICP	☆☆☆	☆☆☆	☆☆☆
BV Ind	101	97	90	109	110	107	109	112	-	105	104	111	120	112	107 ₂₉	106 ₃₈	106 ₃₄
BV	-.03 ₃₅	.1 ₃₀	-1.7 ₃₇	4.5 ₄₂	7.2 ₂₆	8.4 ₂₉	19.9 ₃₁	36.9 ₃₁	-	5.8 ₃₅	1.9 ₃₇	6.5 ₃₆	-19.6 ₃₉	-4.7 ₂₆	In Vitro		
Breeder's Remarks: 5M PREGNANT TO FF13-104														Flushings/Embrios/Calves: 0/0/0 Tests: CA & TB Tested Vacc. -			

LOT 61

0603085, LEOPARD RIDGE CONSERVANCY CC, T/A DUN NGUNIS,P.O. BOX 7007, GRAHAMSTOWN,6148,(T)083-655 5597



Naam Ident. nommer Geslag Afdeling Reg. nommer Geboorte Datum

WATERHOEK LRC 190006 **LRC 190006** **VROULIK SP** **0088636303** **14-APR-19**

WATERHOEK LRC 190006 - SP
0088636303 - 14-APR-19
OEK - TKP -
Oud. / Kalwers 3j.0m. / 0
Gem SI/Kalf: / 0
Koei Doelt.: -
Koei/Speen Verh.: -%
KALWINGS
-

GANNA MVN 100029 - SP
0071695100 -06-SEP-10- DNS: U236816



BUSHKLOOF RV 090011 - B
0068087212 - 08-FEB-09
OEK 35 TKP 328
Oud. / Kalwers 11j.10m. / 11
Koei Doelt. -
Koei/Speen Verh.: -%
Gem SI/Kalf: / 0

COMPASSBERG KW 030033 - B
0049813025 -12-OCT-03- DNS: P0000071825

GANNA MVN 030008 - SP
0048035166 - 06-SEP-03
OEK 26 TKP 409
Oud. / Kalwers 11j.1m. / 9
Koei/Speen Verh.: -%
Koei Doelt. -
Gem SI/Kalf: 100 / 8

MODJADJI LEB 000115 - B
0044585099- 12-OCT-00

- RV 020717 - A
0062606298 - 29-MAR-02
OEK - TKP 416
Oud. / Kalwers 6j.10m. / 3
Koei Doelt. -
Koei/Speen Verh.: -%
Gem SI/Kalf: / 0

- H 970365 - A
0045505351- 08-OCT-97- GEN: AS004903
- KW 980001 - A
0048529184 - 18-MAY-98

SINRAD JS 930257 - B
0028422319 -24-JUN-93- DNS: P519/04

GANNA MVN 960008 - SP
0039676309 - 20-JUL-96

MODJADJI LEB 960892 - SP
0037869252 -29-NOV-96- DNS: P2178/05

MODJADJI LEB 950109 - A
0041208497 - 01-JAN-95

Seleksie W.	KALF GEMAK		MELK	KALFGROEI	ONDERHOUD	GROEI TOETS						VRUGBAARHEID			KOEI WAARDE	GROEI WAARDE	PRODUKSIE WAARDE
	★★★★		★★★	★★★★	★★★★	Tipe groeipunt						★★★★					
	109 ₄₁		90 ₃₈	105 ₄₄	92 ₂₉	GDT	Kleiber	VOV	Lengte	Hoogte	SO	OEK	TKP	95 ₄₁			
TW Ind	106	108	90	105	104	106	105	104	-	107	106	110	97	105	89 ₃₁	93 ₄₀	90 ₃₆
TW	-.31 ₄₂	-.22 ₃₄	-1.6 ₃₈	3.2 ₄₄	4.4 ₃₀	8.1 ₂₉	12.9 ₂₈	25.1 ₂₈	-	7.4 ₃₀	2.7 ₃₁	6.1 ₃₀	-2.1 ₄₃	-3 ₂₉	In Vitro		
Telersopmerkinge: 6,5M PREGNANT TO FF13-104														Spoelings/Embrios/Kalwers: 0/0/0 Toetse: CA & TB Tested Inent. -			

LOT 62

0603085, LEOPARD RIDGE CONSERVANCY CC, T/A DUN NGUNIS,P.O. BOX 7007, GRAHAMSTOWN,6148,(T)083-655 5597



Name Ident. number Sex Section Reg. number Birth Date

WATERHOEK LRC 190008 **LRC 190008** **FEMALE A** **0089013254** **14-JUN-19**

WATERHOEK LRC 190008 - A
0089013254 - 14-JUN-19
AFC - ICP -
Age / Calves 2j.10m. / 0
Avg. WI/Calf: / 0
Cow Eff.: -
Cow/Wean Ratio: -%
CALVINGS
-

--- MS
0135431189 -01-JAN-40



HERONCLIFF HC 130067 - SP
0078941168 - 25-NOV-13

AFC 39 ICP 399
Age / Calves 7yr.7m. / 5
Cow Eff. -
Cow/Wean Ratio: -%
Avg. WI/Calf: / 0

SNYBERG SB 080207 - B
0066214164- 14-JAN-08- DNA: U176008

HERONCLIFF HC 070021 - SP
0065208753 - 19-AUG-07

AFC 48 ICP 416
Age / Calves 8yr.6m. / 5
Cow Eff. -
Cow/Wean Ratio: -%
Avg. WI/Calf: / 0

MODJADJI LEB 010209 - B
0045900057 -27-OCT-01- DNA: U39464

ELTEE LT 030029 - A
0048126361 - 10-NOV-03

SNYBERG SB 990033 - B
0043220086- 11-JUL-99- DNA: U176011

SNYBERG SB 030048 - B
0048033195 - 02-DEC-03

Selection V.	CALVING EASE		MILK	CALF GRWTH	MAINTENANCE	GROWTH TEST						FERTILITY			COW VALUE	GROWTH VALUE	PRODUCTION VALUE		
	★★★★		★★★	★★★★	★★★★	Type						★★★★							
	103 ₂₂		88 ₁₅	90 ₁₅	114 ₉	Birth wght	Birth Mat	Milk	Wean wght	Post wean	Mature wght	ADG	Kleiber	FCR	Length	Height	SC	AFC	ICP
BV Ind	99	117	88	90	87	89	89	90	-	92	91	91	87	93	In Vitro				
BV	.07 ₂₃	-.47 ₁₈	-2.1 ₁₅	-1.8 ₁₅	-4 ₁₂	-5.9 ₉	-20.4 ₁₀	2.8 ₁₀	-	-3.3 ₁₁	-4 ₁₂	-9 ₁₂	5.8 ₂₈	-5 ₁₆	In Vitro				
Breeder's Remarks: 8M PREG TO FF13-104/T17-86														Flushings/Embrios/Calves: 0/0/0 Tests: CA & TB Tested Vacc. -					

LOT 63

0603085, LEOPARD RIDGE CONSERVANCY CC, T/A DUN NGUNIS,P.O. BOX 7007, GRAHAMSTOWN,6148,(T)083-655 5597



Naam Ident. nommer Geslag Afdeling Reg. nommer Geboorte Datum

WATERHOEK LRC 200001 **LRC 200001** **VROULIK SP** **0089939888** **01-JAN-20**

WATERHOEK LRC 200001 - SP
0089939888 - 01-JAN-20
OEK - TKP -
Oud. / Kalwers **2j.3m. / 0**
Gem SI/Kalf: **/ 0**
Koei Doelt.: -
Koei/Speen Verh.: **-%**
KALWINGS
-

BHETJANE FF 130104 - SP
0078886504 -08-NOV-13- DNS: U369376



WATERHOEK LRC 150026 - SP
0081972465 - 14-JUL-15
OEK **37** TKP **378**
Oud. / Kalwers **6j.2m. / 4**
Koei Doelt. -
Koei/Speen Verh.: **-%**
Gem SI/Kalf: **/ 0**

BHETJANE FF 050023 - SP
0061992715 -25-SEP-05- DNS: U1386071

WALT GF 070097 - SP
0065235574 - 11-OCT-07

OEK **25** TKP **371**
Oud. / Kalwers **8j.2m. / 7**
Koei/Speen Verh.: **52.33%**
Koei Doelt. **107**
Gem SI/Kalf: **105 / 7**

GANNA MVN 100029 - SP
0071695100- 06-SEP-10- DNS: U236816

BUSHKLOOF RV 110005 - SP
0072725542 - 17-FEB-11

OEK **29** TKP **440**
Oud. / Kalwers **10j.9m. / 8**
Koei Doelt. -
Koei/Speen Verh.: **-%**
Gem SI/Kalf: **/ 0**

BHETJANE FF 970037 - SP
0038512471- 14-MAY-97- DNS: P680/05

BHETJANE FF 970004 - B
0038512141 - 08-APR-97

WALT GF 010147 - SP
0045464153 -22-NOV-01- DNS: U151449

WALT GF 060018 - SP
0062584776 - 18-FEB-06

COMPASSBERG KW 030033 - B
0049813025 -12-OCT-03- DNS: P0000071825

GANNA MVN 030008 - SP
0048035166 - 06-SEP-03

SEDIBALETSA ISF 060022 - SP
0064120652- 15-NOV-06- DNS: U115126

BUSHKLOOF RV 080024 - SP
0066840315 - 01-AUG-08

Seleksie W.	KALF GEMAK		MELK	KALFGROEI	ONDERHOUD	GROEI TOETS					VRUGBAARHEID			KOEI WAARDE	GROEI WAARDE	PRODUKSIE WAARDE	
	★ ★ ★	★ ★ ★	★ ★ ★ ★	★ ★	Tipe groeipunt					★ ★ ★ ★							
	93 ₂₉	91 ₃₆	117 ₄₃	89 ₂₉	GDT	Kleiber	VOV	Langte	Hoogte	SO	OEK	TKP	117 ₃₇	★ ★ ★ ★	★ ★ ★ ★	★ ★ ★ ★	
TW Ind	94	96	91	117	116	110	116	119	-	111	109	114	123	115	112 ₂₉	113 ₃₈	113 ₃₄
TW	.32 ₂₉	.12 ₂₇	-1.4 ₃₆	7.2 ₄₃	10.2 ₂₈	11.2 ₂₉	36 ₃₃	49.1 ₃₃	-	9.8 ₃₆	4.2 ₃₈	7.6 ₃₇	-22.6 ₃₉	-5.4 ₂₇	In Vitro		
Telersopmerkings: 7,5M PREGNANT TO FF13-104													Spoelings/Embrios/Kalwers: 0/0/0 Toetse: CA & TB Tested				
													Inent. -				

LOT 64

0603085, LEOPARD RIDGE CONSERVANCY CC, T/A DUN NGUNIS,P.O. BOX 7007, GRAHAMSTOWN,6148,(T)083-655 5597



Name Ident. number Sex Section Reg. number Birth Date

WATERHOEK LRC 200002 **LRC 200002** **FEMALE SP** **0089939896** **20-JAN-20**

WATERHOEK LRC 200002 - SP
0089939896 - 20-JAN-20
AFC - ICP -
Age / Calves **2j.3m. / 0**
Avg. WI/Calf: **/ 0**
Cow Eff.: -
Cow/Wean Ratio: **-%**
CALVINGS
-

BHETJANE FF 130104 - SP
0078886504 -08-NOV-13- DNA: U369376



QHINA Q 110041 - SP
0072909740 - 07-MAY-11

AFC **28** ICP **448**
Age / Calves **9yr.8m. / 7**
Cow Eff. -
Cow/Wean Ratio: **-%**
Avg. WI/Calf: **/ 0**

BHETJANE FF 050023 - SP
0061992715 -25-SEP-05- DNA: U1386071

WALT GF 070097 - SP
0065235574 - 11-OCT-07

AFC **25** ICP **371**
Age / Calves **8yr.2m. / 7**
Cow/Wean Ratio: **52.33%**
Cow Eff. **107**
Avg. WI/Calf: **105 / 7**

KIRSTEN SK 060038 - B
0063569404- 09-OCT-06- DNA: U163969

QHINA Q 080083 - SP
0067553347 - 29-OCT-08

AFC **30** ICP **385**
Age / Calves **8yr.10m. / 7**
Cow Eff. **102**
Cow/Wean Ratio: **46.84%**
Avg. WI/Calf: **/ 0**

BHETJANE FF 970037 - SP
0038512471- 14-MAY-97- DNA: P680/05

BHETJANE FF 970004 - B
0038512141 - 08-APR-97

WALT GF 010147 - SP
0045464153 -22-NOV-01- DNA: U151449

WALT GF 060018 - SP
0062584776 - 18-FEB-06

- SK 980010 - A
0061494829 -30-DEC-98

KIRSTEN SK 020004 - A
0049794944 - 30-DEC-02

QHINA Q 040013 - SP
0049382047- 01-NOV-04

QHINA Q 050021 - SP
0061496931 - 15-SEP-05

Selection V.	CALVING EASE		MILK	CALF GRWTH	MAINTENANCE	GROWTH TEST					FERTILITY			COW VALUE	GROWTH VALUE	PRODUCTION VALUE	
	★ ★ ★	★ ★ ★	★ ★ ★ ★	★ ★ ★	Type					★ ★ ★							
	94 ₄₂	98 ₃₉	111 ₄₇	92 ₃₂	ADG	Kleiber	FCR	Length	Height	SC	AFC	ICP	105 ₃₇	★ ★ ★	★ ★ ★	★ ★ ★	
BV Ind	95	96	98	111	109	107	115	119	-	111	109	107	102	108	102 ₃₁	107 ₄₁	104 ₃₆
BV	.27 ₄₄	.12 ₂₉	.1 ₃₉	5.2 ₄₇	6.9 ₃₆	8.3 ₃₂	33.5 ₃₁	48.2 ₃₁	-	9.5 ₃₅	4.1 ₃₇	5 ₃₆	-6.40	-3.7 ₂₅	In Vitro		
Breeder's Remarks: 7M PREGNANT TO FF13-104													Flushings/Embrios/Calves: 0/0/0 Tests: CA & TB Tested				
													Vacc. -				

LOT 65

0603085, LEOPARD RIDGE CONSERVANCY CC, T/A DUN NGUNIS,P.O. BOX 7007, GRAHAMSTOWN,6148,(T)083-655 5597



Naam Ident. nommer Geslag Afdeling Reg. nommer Geboorte Datum

WATERHOEK LRC 200004 VROULIK SP 0089939912 08-JAN-20

WATERHOEK LRC 200004

WATERHOEK LRC 200004 - SP

0089939912 - 08-JAN-20
 OEK - TKP -
 Oud. / Kalwers 2j.3m. / 0
 Gem SI/Kalf: / 0
 Koei Doelt.: -
 Koei/Speen Verh.: -%
 KALWINGS -

BUSHKLOOF RV 150034 - SP
 0082048273 -18-JUL-15- DNS: U444256



RODS WRA 100118 - SP
 0072203961 - 07-OCT-10
 OEK 37 TKP 377
 Oud. / Kalwers 9j.3m. / 7
 Koei Doelt. -
 Koei/Speen Verh.: -%
 Gem SI/Kalf: / 0

SEDIBALETSA ISF 060022 - SP
 0064120652 -15-NOV-06- DNS: U115126

BUSHKLOOF RV 090044 - B
 0069547891 - 25-OCT-09
 OEK 33 TKP 377
 Oud. / Kalwers 9j.11m. / 8
 Koei/Speen Verh.: -%
 Koei Doelt. -
 Gem SI/Kalf: / 0

QUAGGA FLATS GL 050122 - SP
 0061911327- 05-DEC-05- DNS: U164081

RODS WRA 040027 - SP
 0048907570 - 21-JUL-04
 OEK 36 TKP 405
 Oud. / Kalwers 9j.7m. / 7
 Koei Doelt. -
 Koei/Speen Verh.: -%
 Gem SI/Kalf: / 0

BHETJANE FF 010136 - SP
 0045377017- 13-OCT-01- DNS: X0000110589
SEDIBALETSA ISF 040012 - SP
 0049403454 - 30-SEP-04

BUSHKLOOF RV 030099 - A
 0062605910 -15-OCT-03- DNS: U0000138524
BUSHKLOOF RV 030083 - SP
 0049075344 - 23-NOV-03

QUAGGA FLATS GL 000088 - SP
 0044038701 -02-NOV-00- GEN: AS003065

QUAGGA FLATS GL 000017 - B
 0043830058 - 10-JUN-00

RODS WRA 960022 - B
 0037268133- 19-OCT-96

RODS WRA 980061 - SP
 0041005679 - 02-NOV-98

Seleksie W.	KALF GEMAK		MELK	KALFGROEI	ONDERHOUD		GROEI TOETS					VRUGBAARHEID			KOEI WAAARDE	GROEI WAAARDE	PRODUKSIE WAAARDE
	107 ³⁷	84 ³⁰	94 ³²	114 ¹⁹	Tipe groeipunt					116 ³⁵							
TW Ind	Geb gew	Geb Mat	Melk	Speen gew	Naspeen	Volw. gewig	GDT	Kleiber	VOV	Lengte	Hoogte	SO	OEK	TKP	109 ²⁴	103 ³¹	106 ²⁸
TW	-26 ³⁸	-07 ³¹	-3 ³⁰	-6 ³²	-1.3 ²⁴	-6.3 ¹⁹	-2.2 ⁵	-6.8 ⁵	-	-8.4 ⁶	-5 ⁷	-3.2 ⁷	-19.8 ³⁷	-5 ²³	In Vitro		
Telersopmerkings: 4,5M PREGNANT TO FF13-104															Spoelings/Embrios/Kalwers: 0/0/0 Toetse: CA & TB Tested Inent. -		

LOT 66

0603085, LEOPARD RIDGE CONSERVANCY CC, T/A DUN NGUNIS,P.O. BOX 7007, GRAHAMSTOWN,6148,(T)083-655 5597



Name Ident. number Sex Section Reg. number Birth Date

WATERHOEK LRC 200006 FEMALE SP 0089939920 15-JAN-20

WATERHOEK LRC 200006

WATERHOEK LRC 200006 - SP

0089939920 - 15-JAN-20
 AFC - ICP -
 Age / Calves 2j.3m. / 0
 Avg. WI/Calf: / 0
 Cow Eff.: -
 Cow/Wean Ratio: -%
 CALVINGS -

NTSIKIZI PH 140207 - SP
 0080352867 -27-OCT-14- DNA: C18-18249



GARIEP FB 150021 - SP
 0081550089 - 01-MAY-15
 AFC 31 ICP 462
 Age / Calves 6yr.4m. / 4
 Cow Eff. -
 Cow/Wean Ratio: -%
 Avg. WI/Calf: / 0

GARIEP FB 070123 - SP
 0065859027 -01-DEC-07- DNA: U156016

NTSIKIZI PH 060012 - SP
 0062178520 - 12-FEB-06
 AFC 31 ICP 426
 Age / Calves 11yr.10m. / 9
 Cow/Wean Ratio: 41%
 Cow Eff. 107
 Avg. WI/Calf: 102 / 5

UKUMKANI A 080085 - B
 0067515288- 18-OCT-08- GEN: AS004901

LEEUWDOORN PAN EW 120056 - SP
 0076146752 - 17-NOV-12
 AFC 29 ICP 384
 Age / Calves 7yr.8m. / 6
 Cow Eff. -
 Cow/Wean Ratio: -%
 Avg. WI/Calf: / 0

WALT GF 970056 - B
 0039633979- 15-NOV-97- LID: X970004484
GARIEP FB 040014 - SP
 0048528756 - 01-MAR-04

HENHAM HW 960016 - B
 0037243128 -30-OCT-96- DNA: U31126
NTSIKIZI PH 990002 - B
 0043496264 - 01-DEC-99

MODJADJI LEB 000203 - B
 0043468644 -25-APR-00

UKUMKANI A 040102 - A
 0062607056 - 15-OCT-04

LEEUWDOORN PAN EW 080006 - SP
 0067048199- 22-JUN-08- DNA: U183375

GJO GJ 060081 - SP
 0063986889 - 13-DEC-06

Selection V.	CALVING EASE		MILK	CALF GRWTH	MAINTENANCE		GROWTH TEST					FERTILITY			COW VALUE	GROWTH VALUE	PRODUCTION VALUE
	99 ³²	81 ³⁵	112 ³⁷	112 ²²	Type					100 ³⁷							
BV Ind	Birth wght	Birth Mat	Milk	Wean wght	Post wean	Mature wght	ADG	Kleiber	FCR	Length	Height	SC	AFC	ICP	102 ²⁷	113 ³⁴	108 ³⁰
BV	.12 ³³	-.12 ²⁸	-3.5 ³⁵	5.7 ³⁷	5.2 ²⁶	-4.7 ²²	18 ¹⁸	34.9 ¹⁸	-	4.1 ²⁰	-4.2 ¹	3.3 ²⁰	5.6 ⁴²	-3 ²⁵	In Vitro		
Breeder's Remarks: 4M PREGNANT TO FF13-104															Flushings/Embrios/Calves: 0/0/0 Tests: CA & TB Tested Vacc. -		

LOT 67

0603085, LEOPARD RIDGE CONSERVANCY CC, T/A DUN NGUNIS,P.O. BOX 7007, GRAHAMSTOWN,6148,(T)083-655 5597



Naam Ident. nommer Geslag Afdeling Reg. nommer Geboorte Datum

GARIEP FB 180179 - SP **FB 180179** **VROULIK SP** **0088391412** **19-DEC-18**

GARIEP FB 180179 - SP
0088391412 - 19-DEC-18
OEK 25 TKP -
Oud. / Kalwers 2j.0m. / 1
Gem SI/Kalf: / 0
Koei Doelt.: -
Koei/Speen Verh.: -%
KALWINGS
01/21

GARIEP FB 110060 - SP
0074293127 -22-OCT-11- DNS: U261502



GARIEP FB 140040 - SP
0080184104 - 22-AUG-14
OEK 30 TKP 337
Oud. / Kalwers 7j.1m. / 6
Koei Doelt. -
Koei/Speen Verh.: -%
Gem SI/Kalf: / 0

GARIEP FB 060029 - SP
0062942289 -25-MAY-06- DNS: U235613

GARIEP FB 040088 - B
0049433105 - 17-NOV-04

OEK 29 TKP 381
Oud. / Kalwers 15j.11m. / 14
Koei/Speen Verh.: -%
Koei Doelt. -
Gem SI/Kalf: / 0

GARIEP FB 060008 - SP
0062515697- 16-JAN-06- DNS: U163378

- TOL 020121 - B
0048628820 - 24-OCT-02

OEK - TKP 377
Oud. / Kalwers 15j.10m. / 14
Koei Doelt. -
Koei/Speen Verh.: -%
Gem SI/Kalf: / 0

WALT GF 970056 - B
0039633979- 15-NOV-97- LID: X970004484
- TOL 020121 - B
0048628820 - 24-OCT-02

GARIEP FB 960020 - A
0048354054 -01-JAN-96

WALT GF 010185 - B
0045799103 - 09-DEC-01

GARIEP FB 020021 - SP
0046420055 -10-JUL-02

GARIEP FB 030013 - SP
0047443080 - 25-JUL-03

- JS940241 - SP
0048627509- 01-JAN-94

- SNV 980339 - A
0048628937 - 01-JAN-98

Seleksie W.	KALF GEMAK		MELK	KALFGROEI	ONDERHOUD		GROEI TOETS					VRUGBAARHEID		KOEI WAARDE	GROEI WAARDE	PRODUKSIE WAARDE	
	108 ³²	91 ²³	92 ¹⁸	Tipe groeipunt					138 ⁴⁵								
TW Ind	Geb gew	Geb Mat	Melk	Speen gew	Naspeen	Volw. gewig	GDT	Kleiber	VOV	Lengte	Hoogte	SO	OEK	TKP			
TW	105	108	91	92	-	-	-	-	-	-	-	-	117	133	-	-	-
	-27 ³⁵	-22 ¹⁹	-1.4 ²³	-1.1 ¹⁸	-	-	-	-	-	-	-	-	-17.4 ⁵⁸	-9.5 ²⁴	In Vitro		
Telersopmerkings: 5,5M PREGNANT TO FF13-104														Spoelings/Embrios/Kalwers: 0/0/0 Toetse: CA & TB Tested Inent. -			

LOT 68

0603085, LEOPARD RIDGE CONSERVANCY CC, T/A DUN NGUNIS,P.O. BOX 7007, GRAHAMSTOWN,6148,(T)083-655 5597



Name Ident. number Sex Section Reg. number Birth Date

GARIEP FB 180053 - SP **FB 180053** **FEMALE SP** **0087531844** **18-JUN-18**

GARIEP FB 180053 - SP
0087531844 - 18-JUN-18
AFC 30 ICP -
Age / Calves 2yr.5m. / 1
Avg. WI/Calf: / 0
Cow Eff.: -
Cow/Wean Ratio: -%
CALVINGS
12/20

GARIEP FB 110080 - SP
0074478652 -01-NOV-11- DNA: U261503



GARIEP FB 150023 - SP
0082054248 - 06-MAY-15

AFC 18 ICP 463
Age / Calves 6yr.7m. / 5
Cow Eff. -
Cow/Wean Ratio: -%
Avg. WI/Calf: / 0

GARIEP FB 060029 - SP
0062942289 -25-MAY-06- DNA: U235613

GARIEP FB 010059 - B
0045420650 - 02-NOV-01

AFC 32 ICP 395
Age / Calves 13yr.6m. / 11
Cow/Wean Ratio: -%
Cow Eff. -
Avg. WI/Calf: / 0

BRESLAU JLS 090016 - B
0069357085- 19-JUL-09- DNA: U192541

GARIEP FB 110106 - SP
0075027417 - 23-NOV-11

AFC 25 ICP 423
Age / Calves 8yr.11m. / 7
Cow Eff. -
Cow/Wean Ratio: -%
Avg. WI/Calf: / 0

WALT GF 970056 - B
0039633979- 15-NOV-97- LID: X970004484
- TOL 020121 - B
0048628820 - 24-OCT-02

TAFELSIG CS 910004 - B
0023335649 -03-FEB-91- BLD: X5365

GARIEP FB 890170 - A
0039930151 - 01-JAN-89

- JLS 970085 - A
0061921813 -15-OCT-97- DNA: U75714

BRESLAU JLS 050161 - SP
0062586474 - 15-DEC-05

GARIEP FB 060035 - SP
0063217830- 28-JUL-06- DNA: U174217

GARIEP FB 050069 - B
0061993937 - 06-NOV-05

Selection V.	CALVING EASE		MILK	CALF GRWTH	MAINTENANCE		GROWTH TEST					FERTILITY			COW VALUE	GROWTH VALUE	PRODUCTION VALUE
	113 ³⁸	98 ³²	91 ³⁶	106 ¹⁹		Type					99 ⁴⁵						
BV Ind	Birth wght	Birth Mat	Milk	Wean wght	Post wean	Mature wght	ADG	Kleiber	FCR	Length	Height	SC	AFC	ICP	96 ²⁸	92 ³⁵	93 ³²
BV	-53 ³⁹	-2 ³²	-1.3 ²	-1.5 ³⁶	-2.8 ²²	-1.2 ¹⁹	-1.3 ⁸	18.8 ⁸	-	.9 ⁹	-2.2 ¹⁰	-1.5 ¹⁰	-5.7 ⁵⁶	-9.2 ⁸	In Vitro		
Breeder's Remarks: 6M PREGNANT TO FF13-104														Flushings/Embrios/Calves: 0/0/0 Tests: CA & TB Tested Vacc. -			

LOT 69

0603085, LEOPARD RIDGE CONSERVANCY CC, T/A DUN NGUNIS,P.O. BOX 7007, GRAHAMSTOWN,6148,(T)083-655 5597



Naam Ident. nommer Geslag Afdeling Reg. nommer Geboorte Datum

QUAGGA FLATS **GL 150015** **VROULIK SP** **0082746165** **29-SEP-15**

QUAGGA FLATS GL 150015 - SP
0082746165 - 29-SEP-15
OEK 37 TKP 492
Oud. / Kalwers 5j.9m. / 3
Gem SI/Kalf: / 0
Koei Doelt.: -
Koei/Speen Verh.: -%
KALWINGS
11/18 ,01/20 ,
07/21

QUAGGA FLATS GL 110053 - SP
0074466939 -24-OCT-11- DNS: U272577



QUAGGA FLATS GL 120043 - SP
0075785931 - 05-OCT-12
OEK 36 TKP 391
Oud. / Kalwers 5j.1m. / 3
Koei Doelt. 95
Koei/Speen Verh.: 42.02%
Gem SI/Kalf: / 0

KLIPKRANTZ AP 070002 - B
0065207821 -10-OCT-07- DNS: U177966

QUAGGA FLATS GL 090027 - SP
0068077445 - 24-FEB-09
OEK 32 TKP 370
Oud. / Kalwers 6j.8m. / 5
Koei/Speen Verh.: 64.5%
Koei Doelt. 113
Gem SI/Kalf: 108 / 3

QUAGGA FLATS GL 070084 - SP
0065561029- 23-NOV-07- DNS: U177967

QUAGGA FLATS GL 070118 - SP
0065561342 - 13-DEC-07
OEK 34 TKP 360
Oud. / Kalwers 8j.8m. / 7
Koei Doelt. 116
Koei/Speen Verh.: 56.97%
Gem SI/Kalf: 104 / 4

HENHAM HW 960016 - B
0037243128- 30-OCT-96- DNS: U31126
- N 030124 - A
0062638879 - 23-NOV-03

QUAGGA FLATS GL 050108 - SP
0062203120 -23-NOV-05- GEN: AS003108

QUAGGA FLATS GL 050123 - B
0061904884 - 04-DEC-05

QUAGGA FLATS GL 000088 - SP
0044038701 -02-NOV-00- GEN: AS003065

QUAGGA FLATS GL 990063 - B
0043115344 - 07-JUL-99

TAFELSIG CS 040056 - SP
0048801013- 27-JUL-04

QUAGGA FLATS GL 050125 - SP
0061905170 - 08-DEC-05

Seleksie W.	KALF GEMAK		MELK	KALFGROEI	ONDERHOUD		GROEI TOETS					VRUGBAARHEID		KOEI WAAARDE	GROEI WAAARDE	PRODUKSIE WAAARDE	
	106 ⁸⁵	95 ³¹	99 ⁴⁹	120 ¹⁷	Tipe groeipunt					117 ⁴¹							
TW Ind	Geb gew	Geb Mat	Melk	Speen gew	Naspeen	Volw. gewig	GDT	Kleiber	VOV	Lengte	Hoogte	SO	OEK	TKP	120 ²⁹	121 ³⁹	121 ³⁴
TW	-23 ⁷¹	-12 ³⁵	-5 ³¹	1.3 ⁴⁹	1.4 ¹⁸	-12.7 ¹⁷	-	-	-	-	-	-	133	99	In Vitro		
Telersopmerkings: 4,5M PREGNANT TO TV15-548														Spoelings/Embrios/Kalwers: 0/0/0 Toetse: CA & TB Tested Inent. -			

LOT 70

0603085, LEOPARD RIDGE CONSERVANCY CC, T/A DUN NGUNIS,P.O. BOX 7007, GRAHAMSTOWN,6148,(T)083-655 5597



Name Ident. number Sex Section Reg. number Birth Date

HERONCLIFF **HC 100059** **FEMALE B** **0071707632** **15-OCT-10**

HERONCLIFF HC 100059 - B
0071707632 - 15-OCT-10
AFC 35 ICP 454
Age / Calves 10yr.4m. / 7
Avg. Wl/Calf: / 0
Cow Eff.: -
Cow/Wean Ratio: -%
CALVINGS
09/13 ,06/15 ,
10/16 ,09/17 ,
10/18 ,03/20 ,
02/21

SNYBERG SB 040117 - A
0063393367 -15-OCT-04- DNA: U176010



HERONCLIFF HC 070019 - SP
0065209199 - 13-AUG-07

AFC 38 ICP 514
Age / Calves 7yr.4m. / 4
Cow Eff. -
Cow/Wean Ratio: -%
Avg. Wl/Calf: / 0

- H930143 - A
0044800837 -08-MAY-93- DNA: P3227/02

SNYBERG SB 990033 - B
0043220086- 11-JUL-99- DNA: U176011

SNYBERG SB 030034 - B
0048033443 - 10-OCT-03
AFC 33 ICP 386
Age / Calves 8yr.0m. / 6
Cow Eff. -
Cow/Wean Ratio: -%
Avg. Wl/Calf: / 0

--- MS
0135431189- 01-JAN-40
- H900142 - A
0048907927 - 01-JAN-90

D.O.A. DOAL881076 - B
0017407909 -22-SEP-88- BLD: X63080

NDIBILISHIS NNS 890096 - A
0023973290 - 01-JAN-89

CAREFREE C 900070 - B
0023335292- 30-NOV-90- BLD: X24437

SKOMBUZA KMF 950060 - A
0040802894 - 01-JAN-95

Selection V.	CALVING EASE		MILK	CALF GRWTH	MAINTENANCE		GROWTH TEST					FERTILITY			COW VALUE	GROWTH VALUE	PRODUCTION VALUE
	104 ⁴⁵	94 ²⁶	102 ²⁵	109 ¹⁶	Type					85 ⁵¹							
BV Ind	Birth wght	Birth Mat	Milk	Wean wght	Post wean	Mature wght	ADG	Kleiber	FCR	Length	Height	SC	AFC	ICP	87 ²⁷	97 ³¹	92 ²⁹
BV	-16 ⁴⁷	.08 ³⁴	-7 ²⁶	2.3 ²⁵	2.7 ²⁰	-2.7 ¹⁶	-5.6 ¹⁴	11.2 ¹⁴	-	5 ¹⁵	2.4 ¹⁶	-1 ¹⁶	11.6 ⁵⁹	.1 ³⁴	In Vitro		
Breeder's Remarks: 6,5M PREGNANT TO FF13-104														Flushings/Embrios/Calves: 0/0/0 Tests: CA & TB Tested Vacc. -			

LOT 71

0603085, LEOPARD RIDGE CONSERVANCY CC, T/A DUN NGUNIS,P.O. BOX 7007, GRAHAMSTOWN,6148,(T)083-655 5597



Naam Ident. nommer Geslag Afdeling Reg. nommer Geboorte Datum

HERONCLIFF **HC 130067** **VROULIK SP** **0078941168** **25-NOV-13**

HERONCLIFF HC 130067 - SP
0078941168 - 25-NOV-13
OEK 39 TKP 399
Oud. / Kalwers 7j.7m. / 5
Gem SI/Kalf: / 0
Koei Doelt.: -
Koei/Speen Verh.: -%
KALWINGS
02/17 ,05/18 ,
06/19 ,07/20 ,
07/21

SNYBERG SB 080207 - B
0066214164 -14-JAN-08- DNS: U176008



HERONCLIFF HC 070021 - SP
0065208753 - 19-AUG-07
OEK 48 TKP 416
Oud. / Kalwers 8j.6m. / 5
Koei Doelt. -
Koei/Speen Verh.: -%
Gem SI/Kalf: / 0

MODJADJI LEB 010209 - B
0045900057 -27-OCT-01- DNS: U39464

ELTEE LT 030029 - A
0048126361 - 10-NOV-03
OEK 23 TKP 431
Oud. / Kalwers 10j.2m. / 8
Koei/Speen Verh.: -%
Koei Doelt. -
Gem SI/Kalf: 77 / 3

SNYBERG SB 990033 - B
0043220086- 11-JUL-99- DNS: U176011

SNYBERG SB 030048 - B
0048033195 - 02-DEC-03
OEK 31 TKP 374
Oud. / Kalwers 11j.9m. / 10
Koei Doelt. -
Koei/Speen Verh.: -%
Gem SI/Kalf: / 0

MODJADJI LEB 970096 - B
0039716014- 20-NOV-97

MODJADJI LEB 950200 - A
0041208661 - 01-JAN-95

--- MS
0135431189 -01-JAN-40

SKOMBUZA KMF 930006 - A
0034223065 - 01-JAN-93

D.O.A. DOAL881076 - B
0017407909 -22-SEP-88- BLD: X63080

NDIBILISHIS NNS 890096 - A
0023973290 - 01-JAN-89

- H930143 - A
0044800837- 08-MAY-93- DNS: P3227/02

SNYBERG SB 980008 - B
0043105485 - 10-DEC-98

Seleksie W.	KALF GEMAK		MELK	KALFGROEI	ONDERHOUD		GROEI TOETS					VRUGBAARHEID		KOEI WAARDE	GROEI WAARDE	PRODUKSIE WAARDE	
	112 ⁴⁴	84 ³⁰	84 ²⁹	120 ¹⁸	Tipe groeipunt					82 ⁴⁸							
	Geb gew	Geb Mat	Melk	Speen gew	Naspeen	Volw. gewig	GDT	Kleiber	VOV	Lengte	Hoogte	SO	OEK	TKP			
TW Ind	107	122	84	84	81	82	84	87	-	81	79	88	73	87	78 ²⁸	82 ³³	79 ³⁰
TW	-35 ⁴⁶	-59 ³⁵	-3 ³⁰	-3.7 ²⁹	-6.9 ²⁴	-11.7 ¹⁸	-30.9 ²¹	-1.5 ²¹	-	-11 ²³	-9.3 ²³	-2.1 ²³	16.5 ⁵⁷	9.9 ³²	In Vitro		
Telersopmerkings: 5M PREGNANT TO TV15-548														Spoelings/Embrios/Kalwers: 0/0/0 Toetse: CA & TB Tested Inent. -			

LOT 72

0603085, LEOPARD RIDGE CONSERVANCY CC, T/A DUN NGUNIS,P.O. BOX 7007, GRAHAMSTOWN,6148,(T)083-655 5597



Name Ident. number Sex Section Reg. number Birth Date

ROUS **HW 150062** **FEMALE SP** **0082667262** **08-OCT-15**

ROUS HW 150062 - SP
0082667262 - 08-OCT-15
AFC 25 ICP 439
Age / Calves 5yr.8m. / 4
Avg. WI/Calf: / 0
Cow Eff.: 76
Cow/Wean Ratio: 37.82%
CALVINGS
11/17 ,12/18 ,
12/19 ,07/21

ROUS HW 100585 - SP
0071963169 -18-NOV-10- DNA: U161535



ROUS HW 050012 - B
0061873634 - 14-OCT-05
AFC 24 ICP 368
Age / Calves 12yr.0m. / 11
Cow Eff. -
Cow/Wean Ratio: -%
Avg. WI/Calf: 91 / 1

ROUS HW 040398 - SP
0049846090 -30-DEC-04- DNA: U161534

ROUS HW 000011 - B
0043886241 - 29-AUG-00
AFC 26 ICP 392
Age / Calves 10yr.2m. / 8
Cow/Wean Ratio: -%
Cow Eff. -
Avg. WI/Calf: / 0

ROUS HW 000040 - A
0044328144- 14-NOV-00

ROUS HW 010114 - SP
0045798337 - 16-OCT-01
AFC 24 ICP 360
Age / Calves 5yr.11m. / 5
Cow Eff. -
Cow/Wean Ratio: -%
Avg. WI/Calf: / 0

ROUS HW 010127 - SP
0045798873- 30-NOV-01

ROUS HW 010099 - B
0045798220 - 21-SEP-01

HENHAM HW 960016 - B
0037243128 -30-OCT-96- DNA: U31126

CAREFREE C 880066 - A
0024128977 - 01-JAN-88

--- MS
0135431189 -01-JAN-40

MKHAYA S 891747 - B
0020588380 - 21-NOV-89

KANNALAND WL 980015 - SP
0040473688- 27-JUL-98

HENHAM HW 980008 - B
0040805327 - 29-AUG-98

Selection V.	CALVING EASE		MILK	CALF GRWTH	MAINTENANCE		GROWTH TEST					FERTILITY		COW VALUE	GROWTH VALUE	PRODUCTION VALUE	
	111 ⁶⁶	75 ³⁴	83 ⁶²	127 ¹⁷	Type					109 ⁴⁶							
	Birth wght	Birth Mat	Milk	Wean wght	Post wean	Mature wght	ADG	Kleiber	FCR	Length	Height	SC	AFC	ICP			
BV Ind	106	126	75	83	80	73	-	-	-	-	-	-	109	108	101 ³⁴	97 ⁴⁷	98 ⁴⁰
BV	-29 ⁶⁸	-71 ⁵⁶	-4.8 ³⁴	-4.2 ⁶²	-7 ¹⁹	-18.2 ¹⁷	-	-	-	-	-	-	-11.7 ⁵³	-3.8 ²⁸	In Vitro		
Breeder's Remarks: 5M PREGNANT TO TV15-548														Flushings/Embrios/Calves: 0/0/0 Tests: CA & TB Tested Vacc. -			

LOT 73

0603085, LEOPARD RIDGE CONSERVANCY CC, T/A DUN NGUNIS,P.O. BOX 7007, GRAHAMSTOWN,6148,(T)083-655 5597



Naam Ident. nommer Geslag Afdeling Reg. nommer Geboorte Datum
ROUS **HW 170171** **VROULIK SP** **0086627353** **25-DEC-17**
MAKOSI SAMMY

ROUS HW 170171 - SP
 0086627353 - 25-DEC-17
 OEK **32** TKP **326**
 Oud. / Kalwers **3j.6m. / 2**
 Gem SI/Kalf: **/ 0**
 Koei Doelt.: **-**
 Koei/Speen Verh.: **-%**
KALWINGS
08/20, 07/21

ROUS HW 110220 - SP
 0074138462 -19-NOV-11- DNS: U236509



ROUS HW 150073 - SP
 0082661703 - 18-NOV-15
 OEK **25** TKP **388**
 Oud. / Kalwers **4j.2m. / 3**
 Koei Doelt. **110**
 Koei/Speen Verh.: **51.08%**
 Gem SI/Kalf: **/ 0**

ROUS HW 060063 - B
 0063736698 -14-OCT-06

ROUS HW 090548 - SP
 0068464577 - 25-MAY-09
 OEK **30** TKP **369**
 Oud. / Kalwers **11j.6m. / 10**
 Koei/Speen Verh.: **-%**
 Koei Doelt. **-**
 Gem SI/Kalf: **/ 0**

CLOTAN CSF 110149 - SP
 0073956229- 14-NOV-11- DNS: U177766

ROUS HW 100590 - SP
 0071962807 - 22-NOV-10
 OEK **24** TKP **367**
 Oud. / Kalwers **11j.0m. / 10**
 Koei Doelt. **-**
 Koei/Speen Verh.: **-%**
 Gem SI/Kalf: **106 / 1**

ROUS HW 020221 - A
 0062515150- 15-OCT-02
ROUS HW 030153 - B
 0048784219 - 08-DEC-03

MODJADJI LEB 000542 - B
 0044585750 -27-NOV-00

ROUS HW 000011 - B
 0043886241 - 29-AUG-00

QUAGGA FLATS GL 000088 - SP
 0044038701 -02-NOV-00- GEN: AS003065

CLOTAN CSF 080025 - B
 0067088609 - 11-JUL-08

ROUS HW 040398 - SP
 0049846090- 30-DEC-04- DNS: U161534

ROUS HW 030045 - SP
 0048061618 - 05-OCT-03

Seleksie W.	KALF GEMAK		MELK	KALFGROEI	ONDERHOUD		GROEI TOETS					VRUGBAARHEID		KOEI WAAARDE	GROEI WAAARDE	PRODUKSIE WAAARDE	
	★★★★	★★★	★★	★★★	Tipe groeipunt					★★★	★★★						
	127 ₆₃	88 ₂₆	88 ₃₆	108 ₁₆	GDT	Kleiber	VOV	Langte	Hoogte	SO	OEK	TKP	93 ₂₅	86 ₃₂	88 ₂₈		
TW Ind	123	106	88	88	87	94	90	91	-	92	89	83	89	99	93 ₂₅	86 ₃₂	88 ₂₈
TW	-1.21 ₆₉	-1.17 ₃₆	-2.1 ₂₆	-2.6 ₃₆	-3.9 ₁₈	-1.7 ₁₆	-18.5 ₅	4.3 ₅	-	-3.1 ₈	-4.5 ₈	-3.6 ₈	4 ₃₈	-1.8 ₂₀	In Vitro		
Telersopmerkings: 3,5M PREGNANT TO TV15-548													Spoelings/Embrios/Kalwers: 0/0/0 Toetse: CA & TB Tested Inent. -				

LOT 74

0603085, LEOPARD RIDGE CONSERVANCY CC, T/A DUN NGUNIS,P.O. BOX 7007, GRAHAMSTOWN,6148,(T)083-655 5597



Name Ident. number Sex Section Reg. number Birth Date
WATERHOEK **LRC 160035** **FEMALE SP** **0084461250** **05-JUL-16**
LRC 160035

WATERHOEK LRC 160035 - SP
 0084461250 - 05-JUL-16
 AFC **36** ICP **552**
 Age / Calves **4yr.6m. / 2**
 Avg. WI/Calf: **/ 0**
 Cow Eff.: **-**
 Cow/Wean Ratio: **-%**
CALVINGS
07/19, 01/21

QHINA Q 100041 - B
 0071287817 -30-JUL-10- DNA: U163973



BUSHKLOOF RV 130069 - SP
 0078468139 - 26-OCT-13

AFC **32** ICP **394**
 Age / Calves **8yr.1m. / 6**
 Cow Eff. **-**
 Cow/Wean Ratio: **-%**
 Avg. WI/Calf: **/ 0**

KIRSTEN SK 060038 - B
 0063569404 -09-OCT-06- DNA: U163969

QHINA Q 080003 - A
 0065940538 - 24-JAN-08
 AFC **30** ICP **369**
 Age / Calves **6yr.6m. / 5**
 Cow/Wean Ratio: **46.27%**
 Cow Eff. **105**
 Avg. WI/Calf: **100 / 5**

NANDI T 060253 - SP
 0063886469- 18-NOV-06- DNA: X0000109908

BUSHKLOOF RV 100001 - B
 0070074299 - 02-JAN-10
 AFC **32** ICP **439**
 Age / Calves **7yr.5m. / 5**
 Cow Eff. **-**
 Cow/Wean Ratio: **-%**
 Avg. WI/Calf: **/ 0**

- SK 980010 - A
 0061494829 - 30-DEC-98

KIRSTEN SK 020004 - A
 0049794944 - 30-DEC-02

QHINA Q 040013 - SP
 0049382047 -01-NOV-04

QHINA Q 050057 - FR
 0065667487 - 27-NOV-05

NANDI T 980148 - SP
 0040900276 -02-OCT-98- DNA: U157361

MODJADJI LEB 010515 - B
 0044740900 - 01-MAY-01

SEDIBALETSA ISF 060022 - SP
 0064120652- 15-NOV-06- DNA: U115126

BUSHKLOOF RV 070028 - A
 0064627573 - 16-JUN-07

Selection V.	CALVING EASE		MILK	CALF GRWTH	MAINTENANCE		GROWTH TEST					FERTILITY			COW VALUE	GROWTH VALUE	PRODUCTION VALUE				
	★★	★★★★	★★★	★★★	Type					★★★★	★★★★	★★★★									
	89 ₄₁	114 ₃₃	99 ₄₂	98 ₂₃	Birth wght	Birth Mat	Milk	Wean wght	Post wean	Mature wght	ADG	Kleiber	FCR	Length	Height	SC	AFC	ICP	121 ₃₁	112 ₃₉	117 ₃₅
BV Ind	90	97	114	99	98	99	97	98	-	98	98	95	98	116	121 ₃₁	112 ₃₉	117 ₃₅	121 ₃₁	112 ₃₉	117 ₃₅	
BV	.53 ₄₄	.09 ₂₈	3.4 ₃₃	1.1 ₄₂	1.7 ₃₂	2.6 ₂₃	-3 ₁₀	15.2 ₁₀	-	.9 ₁₀	-8.11	.811	-2.6 ₅₇	-5.7 ₃₀	In Vitro		Flushings/Embrios/Calves: 0/0/0 Tests: CA & TB Tested Vacc. -				
Breeder's Remarks: 8M PREGNANT TO FF13-104																					

LOT 75

0603085, LEOPARD RIDGE CONSERVANCY CC, T/A DUN NGUNIS,P.O. BOX 7007, GRAHAMSTOWN,6148,(T)083-655 5597



Naam Ident. nommer Geslag Afdeling Reg. nommer Geboorte Datum

WATERHOEK LRC 180014 VROULIK A 0087677530 27-JUL-18

WATERHOEK LRC 180014 - A
0087677530 - 27-JUL-18
OEK 29 TKP -
Oud. / Kalwers 2j.5m. / 1
Gem SI/Kalf: / 0
Koei Doelt.: -
Koei/Speen Verh.: -%
KALWINGS
12/20

--- MS
0135431189 -01-JAN-40



BUSHKLOOF RV 130069 - SP
0078468139 - 26-OCT-13
OEK 32 TKP 394
Oud. / Kalwers 8j.1m. / 6
Koei Doelt. -
Koei/Speen Verh.: -%
Gem SI/Kalf: / 0

NANDIT 060253 - SP
0063886469- 18-NOV-06- DNS: X0000109908

BUSHKLOOF RV 100001 - B
0070074299 - 02-JAN-10
OEK 32 TKP 439
Oud. / Kalwers 7j.5m. / 5
Koei Doelt. -
Koei/Speen Verh.: -%
Gem SI/Kalf: / 0

NANDIT 980148 - SP
0040900276 -02-OCT-98- DNS: U157361
MODJADJI LEB 010515 - B
0044740900 - 01-MAY-01
SEDIBALETSA ISF 060022 - SP
0064120652- 15-NOV-06- DNS: U115126
BUSHKLOOF RV 070028 - A
0064627573 - 16-JUN-07

Seleksie W.	KALF GEMAK		MELK	KALFGROEI	ONDERHOUD		GROEI TOETS					VRUGBAARHEID		KOEI WAARDE	GROEI WAARDE	PRODUKSIE WAARDE
	100 ²¹	100 ¹⁶	94 ¹⁸	101 ¹⁰	Tipe groeipunt					107 ²⁹						
TW Ind	Geb gew	Geb Mat	Melk	Speen gew	Naspeen	Volw. gewig	GDT	Kleiber	VOV	Lengte	Hoogte	SO	OEK	TKP		
TW	98	108	100	94	93	98	95	95	-	99	98	96	100	109	-	96 ²⁰
	.14 ²²	-.22 ¹⁵	.5 ¹⁶	-.5 ¹⁸	-.1 ¹⁰	1.3 ¹⁰	-7.1 ⁹	10.9 ⁹	-	1.7 ¹⁰	-8 ¹⁰	1.1 ¹⁰	-4 ²⁹	-4 ²⁰	In Vitro	
Telersopmerkinge: 7,5M PREGNANT TO FF13-104														Spoelings/Embrios/Kalwers: 0/0/0 Toetse: CA & TB Tested Inent. -		

LOT 76

0603085, LEOPARD RIDGE CONSERVANCY CC, T/A DUN NGUNIS,P.O. BOX 7007, GRAHAMSTOWN,6148,(T)083-655 5597



Name Ident. number Sex Section Reg. number Birth Date

WATERHOEK LRC 180022 FEMALE A 0087677548 12-AUG-18

WATERHOEK LRC 180022 - A
0087677548 - 12-AUG-18
AFC 27 ICP -
Age / Calves 2yr.2m. / 1
Avg. WI/Calf: / 0
Cow Eff.: -
Cow/Wean Ratio: -%
CALVINGS
11/20

--- MS
0135431189 -01-JAN-40



SLAGBOOM WT 130117 - B
0078269370 - 09-AUG-13
AFC 35 ICP 622
Age / Calves 8yr.0m. / 4
Cow Eff. -
Cow/Wean Ratio: -%
Avg. WI/Calf: / 0

NTSIKIZI PH 080065 - SP
0066921917- 27-AUG-08- DNA: U162621

- WT 050082 - A
0064431521 - 15-OCT-05
AFC - ICP 392
Age / Calves 9yr.11m. / 8
Cow Eff. -
Cow/Wean Ratio: -%
Avg. WI/Calf: / 0

ROUS HW 020005 - B
0045799632 -05-JAN-02- DNA: X0000085697
NTSIKIZI PH 050054 - SP
0061659405 - 29-OCT-05

Selection V.	CALVING EASE		MILK	CALF GRWTH	MAINTENANCE		GROWTH TEST					FERTILITY			COW VALUE	GROWTH VALUE	PRODUCTION VALUE
	100 ¹⁴	100 ¹⁴	92 ¹⁸	112 ¹⁰	Type					93 ²²							
BV Ind	Birth wght	Birth Mat	Milk	Wean wght	Post wean	Mature wght	ADG	Kleiber	FCR	Length	Height	SC	AFC	ICP			
BV	98	108	100	92	91	89	-	-	-	-	-	-	94	93	-	-	
	.11 ¹⁴	-.21 ¹³	.6 ¹⁴	-1.2 ¹⁸	-1.8 ¹⁴	-5.4 ¹⁰	-	-	-	-	-	-	.1 ¹⁹	-.5 ¹²	In Vitro		
Breeder's Remarks: 7,5M PREGNANT TO FF13-104														Flushings/Embrios/Calves: 0/0/0 Tests: CA & TB Tested Vacc. -			

LOT 77

0603085, LEOPARD RIDGE CONSERVANCY CC, T/A DUN NGUNIS,P.O. BOX 7007, GRAHAMSTOWN,6148,(T)083-655 5597



Naam Ident. nommer Geslag Afdeling Reg. nommer Geboorte Datum

WATERHOEK LRC 180024 - A **LRC 180024** **VROULIK A** **0087537049** **17-AUG-18**

WATERHOEK LRC 180024 - A
0087537049 - 17-AUG-18
OEK 27 TKP -
Oud. / Kalwers 2j.2m. / 1
Gem SI/Kalf: / 0
Koei Doelt.: -
Koei/Speen Verh.: -%
KALWINGS
11/20

--- MS
0135431189 -01-JAN-40



SLAGBOOM WT 160060 - SP
0085091825 - 12-MAR-16
OEK 29 TKP 396
Oud. / Kalwers 5j.8m. / 4
Koei Doelt. -
Koei/Speen Verh.: -%
Gem SI/Kalf: / 0

SLAGBOOM WT 120035 - SP
0074980954- 30-APR-12- DNS: U257703

SLAGBOOM WT 120094 - SP
0075740068 - 07-SEP-12
OEK 29 TKP 357
Oud. / Kalwers 9j.2m. / 8
Koei Doelt. -
Koei/Speen Verh.: -%
Gem SI/Kalf: / 0

-
-
-
-
-
-
-
- KLEINZUURBRON LP 030036 - B**
0047666433 -26-APR-03
- SLAGBOOM WT 070066 - B**
0065029662 - 18-AUG-07
- QUAGGA FLATS GL 060110 - SP**
0063966949- 18-DEC-06- DNS: U162620
- SLAGBOOM WT 060084 - B**
0063735468 - 03-NOV-06

Seleksie W.	KALF GEMAK		MELK	KALFGROEI	ONDERHOUD		GROEI TOETS					VRUGBAARHEID			KOEI WAARDE	GROEI WAARDE	PRODUKSIE WAARDE
	103 ₁₅	15	95 ₁₅	94 ₁₆	112 ₁₀	Tipe groeipunt					109 ₂₃						
	Geb gew	Geb Mat	Melk	Speen gew	Naspeen	Volw. gewig	GDT	Kleiber	VOV	Lengte	Hoogte	SO	OEK	TKP			
TW Ind	102	103	95	94	94	90	-	-	-	-	-	-	112	103	-	-	-
TW	-07 ₁₆	-07 ₁₃	-5 ₁₅	-3 ₁₆	-4 ₁₂	-5.1 ₁₀	-	-	-	-	-	-	-13.7 ₂₂	-2.8 ₁₃	In Vitro		
Telersopmerkings: 7M PREGNANT TO FF13-104														Spoelings/Embrios/Kalwers: 0/0/0 Toetse: CA & TB Tested Inent. -			

LOT 78

0603085, LEOPARD RIDGE CONSERVANCY CC, T/A DUN NGUNIS,P.O. BOX 7007, GRAHAMSTOWN,6148,(T)083-655 5597



Name Ident. number Sex Section Reg. number Birth Date

WATERHOEK LRC 180039 - SP **LRC 180039** **FEMALE SP** **0087765236** **18-OCT-18**

WATERHOEK LRC 180039 - SP
0087765236 - 18-OCT-18
AFC 26 ICP -
Age / Calves 2yr.2m. / 1
Avg. Wl/Calf: / 0
Cow Eff.: -
Cow/Wean Ratio: -%
CALVINGS
12/20

DU PLESSIS DPN 130030 - B
0078392677 -07-SEP-13- DNA: U355198



DU PLESSIS DPN 160007 - SP
0082996554 - 21-JAN-16
AFC 33 ICP 369
Age / Calves 5yr.9m. / 4
Cow Eff. -
Cow/Wean Ratio: -%
Avg. Wl/Calf: / 0

COMPASSBERG KW 030033 - B
0049813025 -12-OCT-03- DNA: P0000071825

UKUMKANI A 050019 - A
0049630619 - 03-FEB-05
AFC 29 ICP 383
Age / Calves 13yr.11m. / 12
Cow/Wean Ratio: -%
Cow Eff. -
Avg. Wl/Calf: / 0

INYUMBA IM 090446 - SP
0069564284- 07-SEP-09- DNA: U186786

DU PLESSIS DPN 030129 - B
0048034334 - 03-DEC-03
AFC 35 ICP 380
Age / Calves 13yr.3m. / 11
Cow Eff. -
Cow/Wean Ratio: -%
Avg. Wl/Calf: / 0

- H 970365 - A**
0045505351- 08-OCT-97- GEN: AS004903
- KW 980001 - A**
0048529184 - 18-MAY-98
- MS
0135431189 -01-JAN-40
- UKUMKANI A 020076 - A**
0048485833 - 19-SEP-02
- BHETJANE FF 030005 - B**
0047473202 -14-AUG-03- DNA: U160094
- MTN 020558 - B**
0048628465 - 18-MAY-02
- RODDA JR 950001 - B**
0033446014- 11-FEB-95- DNA: P2138/04
- LERATO MAN 970060 - A**
0043469030 - 01-JAN-97

Selection V.	CALVING EASE		MILK	CALF GRWTH	MAINTENANCE		GROWTH TEST					FERTILITY			COW VALUE	GROWTH VALUE	PRODUCTION VALUE
	102 ₂₈	28	99 ₂₇	95 ₂₉	115 ₁₈	Type					118 ₄₀						
	Birth wght	Birth Mat	Milk	Wean wght	Post wean	Mature wght	ADG	Kleiber	FCR	Length	Height	SC	AFC	ICP	★★★★	★★★★	★★★★
BV Ind	100	107	99	95	93	87	96	96	-	102	108	97	119	106	117 ₂₄	112 ₃₀	115 ₂₇
BV	-01 ₂₉	-18 ₂₃	.2 ₂₇	-1 ₂₉	-9 ₂₀	-7.5 ₁₈	-5.8 ₁₈	11.9 ₁₈	-	3.5 ₂₀	3.8 ₂₁	1.4 ₂₀	-18.8 ₅₁	-3.5 ₂₁	In Vitro		
Breeder's Remarks: 7,5M PREGNANT TO FF13-104														Flushings/Embrios/Calves: 0/0/0 Tests: CA & TB Tested Vacc. -			

LOT 79

0603085, LEOPARD RIDGE CONSERVANCY CC, T/A DUN NGUNIS,P.O. BOX 7007, GRAHAMSTOWN,6148,(T)083-655 5597



Naam Ident. nommer Geslag Afdeling Reg. nommer Geboorte Datum
MAK MAK 090350 VROULIK A 0069321644 08-OCT-09
MAK 090350

MAK MAK 090350 - A
0069321644 - 08-OCT-09
OEK 33 TKP 417
Oud. / Kalwers 11j.10m. / 9
Gem SI/Kalf: / 0
Koei Doelt.: -
Koei/Speen Verh.: -%
KALWINGS
06/12 ,10/14 ,
10/15 ,09/16 ,
08/17 ,08/18 ,
08/19 ,09/20 ,
08/21

- MAK 030188 - FR
0066341447 -15-OCT-03- DNS: U97205



- MAK 010066 - A
0066341744 - 15-OCT-01
OEK - TKP 353
Oud. / Kalwers 12j.10m. / 7
Koei Doelt. -
Koei/Speen Verh.: -%
Gem SI/Kalf: / 0

Table with 3 columns and multiple rows of empty boxes for data entry.

Table with 13 columns: KALF GEMAK, MELK, KALFGROEI, ONDERHOUD, GROEI TOETS, VRUGBAARHEID, KOEI WAAARDE, GROEI WAAARDE, PRODUKSIE WAAARDE. Includes rows for 'Seleksie W.', 'TW Ind', and 'TW'.

LOT 80

0603085, LEOPARD RIDGE CONSERVANCY CC, T/A DUN NGUNIS,P.O. BOX 7007, GRAHAMSTOWN,6148,(T)083-655 5597



Name Ident. number Sex Section Reg. number Birth Date
MIDLANDS IMPERIAL MII 160232 FEMALE A 0085114353 22-DEC-16
MII 160232

MIDLANDS IMPERIAL MII 160232 - A
0085114353 - 22-DEC-16
AFC 34 ICP 554
Age / Calves 4yr.4m. / 2
Avg. Wl/Calf: / 0
Cow Eff.: -
Cow/Wean Ratio: -%
CALVINGS
11/19 ,05/21

--- MS
0135431189 -01-JAN-40



TAFELSIG CS 090401 - A
0066390508 - 20-OCT-09

TAFELSIG CS 050390 - A
0065041865- 15-OCT-05- DNA: U158762

TAFELSIG CS 070348 - B
0064884737 - 29-JUL-07

AFC 27 ICP 420
Age / Calves 6yr.9m. / 5
Cow Eff. 85
Cow/Wean Ratio: 31%
Avg. Wl/Calf: 108 / 3

TAFELSIG CS 970336 - A
0043359280- 01-JAN-97- DNA: P1437/09

TAFELSIG CS 960330 - A
0040384646 - 01-JAN-96

Table with 3 columns and multiple rows of empty boxes for data entry.

Table with 13 columns: CALVING EASE, MILK, CALF GRWTH, MAINTENANCE, GROWTH TEST, FERTILITY, COW VALUE, GROWTH VALUE, PRODUCTION VALUE. Includes rows for 'Selection V.', 'BV Ind', and 'BV'.

LOT 81

0603085, LEOPARD RIDGE CONSERVANCY CC, T/A DUN NGUNIS,P.O. BOX 7007, GRAHAMSTOWN,6148,(T)083-655 5597



Naam **BONTVOET IBALA** Ident. nommer **NN 180012** Geslag **VROULIK SP** Afdeling **0086917762** Reg. nommer **29-MAR-18** Geboorte Datum

BONTVOET NN 180012 - SP
0086917762 - 29-MAR-18
OEK **34** TKP **-**
Oud. / Kalwers **2j.10m. / 1**
Gem SI/Kalf: **/ 0**
Koei Doelt.: **-**
Koei/Speen Verh.: **-%**
KALWINGS
02/21

BHETJANE FF 100242 - SP
0072002868 -22-OCT-10- DNS: U275885



BHETJANE FF 100230 - SP
0072002744 - 18-OCT-10
OEK **36** TKP **324**
Oud. / Kalwers **7j.5m. / 6**
Koei Doelt. **99**
Koei/Speen Verh.: **43.09%**
Gem SI/Kalf: **103 / 1**

MODJADJI LEB 000115 - B
0044585099 -12-OCT-00

BHETJANE FF 030163 - SP
0048056881 - 17-DEC-03
OEK **24** TKP **364**
Oud. / Kalwers **10j.11m. / 10**
Koei/Speen Verh.: **40.75%**
Koei Doelt. **101**
Gem SI/Kalf: **101 / 9**

MODJADJI LEB 000115 - B
0044585099- 12-OCT-00

BHETJANE FF 030063 - SP
0047578299 - 13-SEP-03
OEK **27** TKP **424**
Oud. / Kalwers **9j.2m. / 7**
Koei Doelt. **98**
Koei/Speen Verh.: **44.3%**
Gem SI/Kalf: **104 / 7**

MODJADJI LEB 960892 - SP
0037869252- 29-NOV-96- DNS: P2178/05

MODJADJI LEB 950109 - A
0041208497 - 01-JAN-95

BHETJANE FF 950074 - B
0034327304 -24-JUL-95

BHETJANE FF 990037 - SP
0043111889 - 10-MAY-99

MODJADJI LEB 960892 - SP
0037869252 -29-NOV-96- DNS: P2178/05

MODJADJI LEB 950109 - A
0041208497 - 01-JAN-95

BHETJANE FF 950074 - B
0034327304- 24-JUL-95

BHETJANE FF 940008 - B
0029931615 - 18-MAR-94

Seleksie W.	KALF GEMAK		MELK	KALFGROEI	ONDERHOUD		GROEI TOETS					VRUGBAARHEID			KOEI WAARDE	GROEI WAARDE	PRODUKSIE WAARDE
	105 ₃₆	92 ₄₀	109 ₅₂	93 ₂₅	Tipe groeipunt					95 ₃₇							
TW Ind	Geb gew	Geb Mat	Melk	Speen gew	Naspeen	Volw. gewig	GDT	Kleiber	VOV	Lengte	Hoogte	SO	OEK	TKP	91 ₃₁	98 ₄₂	94 ₃₆
TW	-07 ₃₇	-33 ₃₁	-1.3 ₄₀	4.5 ₅₂	7.6 ₁₉	7.6 ₂₅	21.9 ₃₃	35 ₃₃	-	7.6 ₃₈	-1.5 ₄₁	10 ₄₀	11.3 ₄₂	-3.9 ₂₀	In Vitro		
Telersopmerkings: 7,5M PREGNANT TO FF13-104														Spoelings/Embrios/Kalwers: 0/0/0 Toetse: CA & TB Tested Inent. -			

LOT 82

0603085, LEOPARD RIDGE CONSERVANCY CC, T/A DUN NGUNIS,P.O. BOX 7007, GRAHAMSTOWN,6148,(T)083-655 5597



Name **BONTVOET UMA** Ident. number **NN 180025** Sex **FEMALE SP** Section **0087624441** Reg. number **15-OCT-18** Birth Date

BONTVOET NN 180025 - SP
0087624441 - 15-OCT-18
AFC **25** ICP **-**
Age / Calves **2yr.1m. / 1**
Avg. Wl/Calf: **/ 0**
Cow Eff.: **-**
Cow/Wean Ratio: **-%**
CALVINGS
11/20

BONTVOET NN 120005 - B
0077306660 -12-JUN-12- DNA: U220575



BONTVOET NN 160004 - SP
0083375295 - 26-MAR-16
AFC **31** ICP **477**
Age / Calves **5yr.1m. / 3**
Cow Eff. **-**
Cow/Wean Ratio: **-%**
Avg. Wl/Calf: **/ 0**

QUAGGA FLATS GL 090096 - SP
0070159207 -14-DEC-09

ANDRICAS PB 100034 - A
0071429757 - 18-SEP-10
AFC **21** ICP **386**
Age / Calves **7yr.0m. / 6**
Cow/Wean Ratio: **-%**
Cow Eff. **-**
Avg. Wl/Calf: **96 / 1**

BHETJANE FF 100242 - SP
0072002868- 22-OCT-10- DNA: U275885

ANDRICAS PB 050025 - SP
0061718623 - 25-OCT-05
AFC **26** ICP **368**
Age / Calves **12yr.2m. / 11**
Cow Eff. **-**
Cow/Wean Ratio: **-%**
Avg. Wl/Calf: **105 / 1**

QUAGGA FLATS GL 040052 - SP
0048987366- 04-JUL-04

QUAGGA FLATS GL 050155 - B
0061904868 - 23-DEC-05

--- MS
0135431189 -01-JAN-40

ANDRICAS PB 990004 - SP
0043119643 - 27-AUG-99

MODJADJI LEB 000115 - B
0044585099 -12-OCT-00

BHETJANE FF 030163 - SP
0048056881 - 17-DEC-03

GELYK FONTEIN SW 960501 - B
0040517419- 29-SEP-96

KGWAADI NZR 940029 - B
0032843815 - 25-NOV-94

Selection V.	CALVING EASE		MILK	CALF GRWTH	MAINTENANCE		GROWTH TEST					FERTILITY			COW VALUE	GROWTH VALUE	PRODUCTION VALUE
	105 ₂₂	94 ₂₇	92 ₃₀	103 ₁₆	Type					88 ₃₀							
BV Ind	Birth wght	Birth Mat	Milk	Wean wght	Post wean	Mature wght	ADG	Kleiber	FCR	Length	Height	SC	AFC	ICP	82 ₂₁	84 ₂₇	81 ₂₄
BV	-07 ₂₂	-36 ₂₀	-9.9 ₂₇	-1.2 ₃₀	-2 ₁₈	.4 ₁₆	-12.4 ₁₇	9 ₁₇	-	-3.4 ₁₉	-4.3 ₂₀	2.1 ₂₀	2.3 ₃₂	-1.8 ₁₈	In Vitro		
Breeder's Remarks: 7,5M PREGNANT TO FF13-104														Flushings/Embrios/Calves: 0/0/0 Tests: CA & TB Tested Vacc. -			

LOT 83

0603085, LEOPARD RIDGE CONSERVANCY CC, T/A DUN NGUNIS,P.O. BOX 7007, GRAHAMSTOWN,6148,(T)083-655 5597

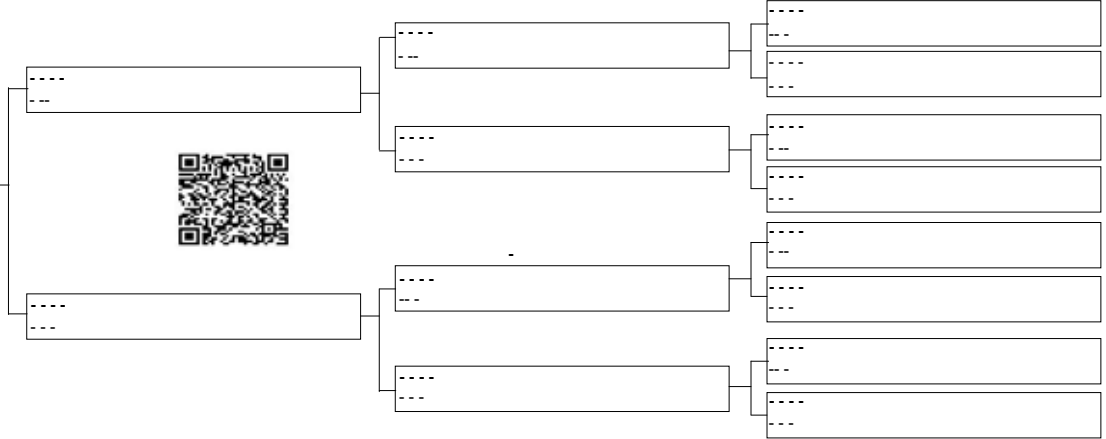


Naam Ident. nommer Geslag Afdeling Reg. nommer Geboorte Datum

NOS PARADISO NOS 120007 VROULIK FR 0081677627 15-OCT-12

NOS PARADISO NOS 120007 - FR
0081677627 - 15-OCT-12

OEK - TKP 471
Oud. / Kalwers 8j.0m. / 5
Gem SI/Kalf: 92 / 1
Koei Doelt.: -
Koei/Speen Verh.: -%
KALWINGS
09/15 ,08/16 ,
03/18 ,12/19 ,
11/20



Seleksie W.	KALF GEMAK		MELK	KALFGROEI	ONDERHOUD		GROEI TOETS					VRUGBAARHEID			KOEI WAARDE	GROEI WAARDE	PRODUKSIE WAARDE
	103 ³³	96 ⁴²	96 ³⁰	Tipe groeipunt					91 ¹⁵								
	Geb gew	Geb Mat	Melk	Speen gew	Naspeen	Volw. gewig	GDT	Kleiber	VOV	Lengte	Hoogte	SO	OEK	TKP			
TW Ind	102	103	96	96	-	-	-	-	-	-	-	-	-	-	-	90 ²⁴	-
TW	-09 ³²	-08 ³⁷	-3.42	0 ³⁰	-	-	-	-	-	-	-	-	-	-	-	In Vitro	
Telersopmerkinge: 7,5M PREGNANT TO TV15-548															Spoelings/Embrios/Kalwers: 0/0/0 Toetse: CA & TB Tested Inent. -		

LOT 84

0603085, LEOPARD RIDGE CONSERVANCY CC, T/A DUN NGUNIS,P.O. BOX 7007, GRAHAMSTOWN,6148,(T)083-655 5597



Name Ident. number Sex Section Reg. number Birth Date

QHINA Q 110041 FEMALE SP 0072909740 07-MAY-11

QHINA Q 110041 - SP
0072909740 - 07-MAY-11

AFC 28 ICP 448
Age / Calves 9yr.8m. / 7
Avg. Wt/Calf: / 0
Cow Eff.: -
Cow/Wean Ratio: -%
CALVINGS
09/13 ,10/14 ,
11/15 ,09/17 ,
11/18 ,01/20 ,
01/21

KIRSTEN SK 060038 - B
0063569404 -09-OCT-06- DNA: U163969



QHINA Q 080083 - SP
0067553347 - 29-OCT-08

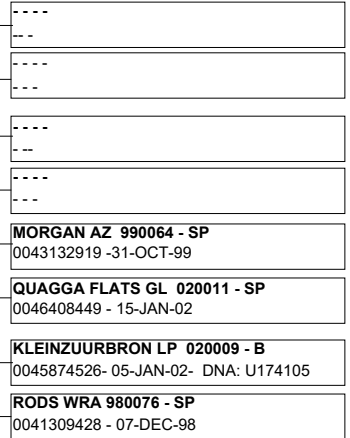
AFC 30 ICP 385
Age / Calves 8yr.10m. / 7
Cow Eff. 102
Cow/Wean Ratio: 46.84%
Avg. Wt/Calf: / 0

-SK 980010 - A
0061494829 -30-DEC-98

KIRSTEN SK 020004 - A
0049794944 - 30-DEC-02
AFC - ICP 428
Age / Calves 9yr.9m. / 7
Cow/Wean Ratio: -%
Cow Eff. -
Avg. Wt/Calf: 103 / 2

QHINA Q 040013 - SP
0049382047- 01-NOV-04

QHINA Q 050021 - SP
0061496931 - 15-SEP-05
AFC 24 ICP 392
Age / Calves 4yr.1m. / 3
Cow Eff. 112
Cow/Wean Ratio: 52.38%
Avg. Wt/Calf: 99 / 3



Selection V.	CALVING EASE		MILK	CALF GRWTH	MAINTENANCE		GROWTH TEST					FERTILITY			COW VALUE	GROWTH VALUE	PRODUCTION VALUE
	106 ⁶⁸	104 ⁴⁹	90 ⁵⁸	112 ³⁸		Type					103 ⁴⁹						
	Birth wght	Birth Mat	Milk	Wean wght	Post wean	Mature wght	ADG	Kleiber	FCR	Length	Height	SC	AFC	ICP			
BV Ind	104	106	104	90	85	90	91	93	-	92	95	90	97	106	103 ³⁹	98 ⁵¹	100 ⁴⁵
BV	-19 ⁷⁴	-17 ³⁹	1.2 ⁴⁹	-1.9 ⁵⁸	-4.8 ⁵²	-5.2 ³⁸	15.1 ⁵	7.5 ⁵	-	-3.4 ⁶	-2.2 ⁷	-1.3 ⁷	-2.2 ⁵²	-3.4 ³¹	In Vitro		
Breeder's Remarks: 7,5M PREGNANT TO FF13-104															Flushings/Embrios/Calves: 0/0/0 Tests: CA & TB Tested Vacc. -		

LOT 85

0603085, LEOPARD RIDGE CONSERVANCY CC, T/A DUN NGUNIS,P.O. BOX 7007, GRAHAMSTOWN,6148,(T)083-655 5597



Naam Ident. nommer Geslag Afdeling Reg. nommer Geboorte Datum

BUSHKLOOF RV 160049 VROULIK SP 0084366715 17-OCT-16

BUSHKLOOF RV 160049 - SP
0084366715 - 17-OCT-16
OEK 34 TKP 502
Oud. / Kalwers 4j.2m. / 2
Gem SI/Kalf: / 0
Koei Doelt.: -
Koei/Speen Verh.: -%
KALWINGS
08/19 ,12/20

SEDIBALETSA ISF 060022 - SP
0064120652 -15-NOV-06- DNS: U115126



BUSHKLOOF RV 120098 - B
0076505114 - 17-DEC-12
OEK 29 TKP 493
Oud. / Kalwers 6j.5m. / 4
Koei Doelt. -
Koei/Speen Verh.: -%
Gem SI/Kalf: / 0

BHETJANE FF 010136 - SP
0045377017 -13-OCT-01- DNS: X0000110589

SEDIBALETSA ISF 040012 - SP
0049403454 - 30-SEP-04
OEK 26 TKP 367
Oud. / Kalwers 12j.1m. / 11
Koei/Speen Verh.: -%
Koei Doelt. -
Gem SI/Kalf: 98 / 3

BUSHKLOOF RV 050035 - A
0066155581- 25-SEP-05- DNS: U115125

AMATOLE FHU 010021 - SP
0044581734 - 27-MAR-01
OEK 35 TKP 461
Oud. / Kalwers 11j.8m. / 8
Koei Doelt. -
Koei/Speen Verh.: -%
Gem SI/Kalf: / 0

BHETJANE FF 940037 - B
0029931961- 01-MAY-94
BHETJANE FF 970066 - B
0038512786 - 13-JUN-97

BHETJANE FF 960006 - B
0036921443 -15-FEB-96

- MTN 000392 - SP
0044508729 - 01-MAR-00

MORGAN AZ 000012 - B
0043925320 -10-OCT-00

AMATOLE FHU 960014 - SP
0035467109- 21-MAR-96

AMATOLE FHU 980047 - SP
0040517807 - 15-AUG-98

Seleksie W.	KALF GEMAK		MELK	KALFGROEI	ONDERHOUD		GROEI TOETS					VRUGBAARHEID			KOEI WAAARDE	GROEI WAAARDE	PRODUKSIE WAAARDE
	104 ⁴⁸	89 ³⁸	94 ³⁶	112 ²¹	Tipe groeipunt					108 ⁴⁷							
TW Ind	Geb gew	Geb Mat	Melk	Speen gew	Naspeen	Volw. gewig	GDT	Kleiber	VOV	Langte	Hoogte	SO	OEK	TKP	104 ³⁰	100 ³⁷	101 ³⁴
TW	-02 ⁵⁰	-36 ⁴⁰	-2 ³⁸	-3 ³⁶	-7 ²⁴	-4.9 ²¹	-31.9 ¹²	-6.7 ¹²	-	-9.9 ¹⁴	-6.2 ¹⁴	2.14	15.2 ⁵¹	-3.5 ³²	In Vitro		
Telersopmerkings: 8M PREGNANT TO FF13-104															Spoelings/Embrios/Kalwers: 0/0/0 Toetse: CA & TB Tested Inent. -		

LOT 86

0603085, LEOPARD RIDGE CONSERVANCY CC, T/A DUN NGUNIS,P.O. BOX 7007, GRAHAMSTOWN,6148,(T)083-655 5597



Name Ident. number Sex Section Reg. number Birth Date

BUSHKLOOF RV 170025 FEMALE SP 0085600898 19-JUN-17

BUSHKLOOF RV 170025 - SP
0085600898 - 19-JUN-17
AFC 32 ICP 527
Age / Calves 4yr.1m. / 2
Avg. WI/Calf: / 0
Cow Eff.: -
Cow/Wean Ratio: -%
CALVINGS
03/20 ,08/21

NANDI T 060253 - SP
0063886469 -18-NOV-06- DNA: X0000109908



BUSHKLOOF RV 100001 - B
0070074299 - 02-JAN-10

AFC 32 ICP 439
Age / Calves 7yr.5m. / 5
Cow Eff. -
Cow/Wean Ratio: -%
Avg. WI/Calf: / 0

NANDI T 980148 - SP
0040900276 -02-OCT-98- DNA: U157361

MODJADJI LEB 010515 - B
0044740900 - 01-MAY-01
AFC 41 ICP 371
Age / Calves 13yr.7m. / 11
Cow/Wean Ratio: -%
Cow Eff. -
Avg. WI/Calf: 125 / 2

SEDIBALETSA ISF 060022 - SP
0064120652- 15-NOV-06- DNA: U115126

BUSHKLOOF RV 070028 - A
0064627573 - 16-JUN-07
AFC 31 ICP 438
Age / Calves 6yr.1m. / 4
Cow Eff. -
Cow/Wean Ratio: -%
Avg. WI/Calf: / 0

NANDI T 940379 - SP
0032842908- 04-NOV-94

NANDI T 860006 - B
0011432861 - 01-JUL-86

MODJADJI LEB 920085 - A
0043532118 -29-MAR-92

MODJADJI LEB 950516 - A
0041207861 - 01-JAN-95

BHETJANE FF 010136 - SP
0045377017 -13-OCT-01- DNA: X0000110589

SEDIBALETSA ISF 040012 - SP
0049403454 - 30-SEP-04

MODJADJI LEB 000115 - B
0044585099- 12-OCT-00

- RV 010051 - A
0064405442 - 15-OCT-01

Selection V.	CALVING EASE		MILK	CALF GRWTH	MAINTENANCE		GROWTH TEST					FERTILITY			COW VALUE	GROWTH VALUE	PRODUCTION VALUE
	106 ⁴²	108 ³³	92 ³⁷	98 ²⁰	Type					103 ⁴⁷							
BV Ind	Birth wght	Birth Mat	Milk	Wean wght	Post wean	Mature wght	ADG	Kleiber	FCR	Length	Height	SC	AFC	ICP	99 ²⁹	94 ³⁷	95 ³³
BV	-2.4 ⁵	-0.9 ³⁰	2.1 ³³	-1.1 ³⁷	-9.9 ²⁰	2.7 ²⁰	-4.3 ¹⁹	14.8 ¹⁹	-	-1.1 ²⁰	-2.9 ²¹	1.9 ²¹	6.9 ⁵⁰	-2.9 ³⁵	In Vitro		
Breeder's Remarks: 7,5M PREGNANT TO FF13-104															Flushings/Embrios/Calves: 0/0/0 Tests: CA & TB Tested Vacc. -		

LOT 87

0603085, LEOPARD RIDGE CONSERVANCY CC, T/A DUN NGUNIS,P.O. BOX 7007, GRAHAMSTOWN,6148,(T)083-655 5597



Naam Ident. nommer Geslag Afdeling Reg. nommer Geboorte Datum

BUSHKLOOF RV 170048 **RV 170048** **VROULIK SP** **0086540986** **28-DEC-17**

BUSHKLOOF RV 170048 - SP
0086540986 - 28-DEC-17
OEK **36** TKP -
Oud. / Kalwers **2j.11m. / 1**
Gem SI/Kalf: / 0
Koei Doelt.: -
Koei/Speen Verh.: -%
KALWINGS
12/20

NANDIT 060253 - SP
0063886469 - 18-NOV-06- DNS: X0000109908



BUSHKLOOF RV 130044 - SP
0078112349 - 07-SEP-13
OEK **30** TKP **521**
Oud. / Kalwers **5j.4m. / 3**
Koei Doelt. -
Koei/Speen Verh.: -%
Gem SI/Kalf: / 0

NANDIT 980148 - SP
0040900276 - 02-OCT-98- DNS: U157361

MODJADJI LEB 010515 - B
0044740900 - 01-MAY-01

OEK **41** TKP **371**
Oud. / Kalwers **13j.7m. / 11**
Koei/Speen Verh.: -%
Koei Doelt. -
Gem SI/Kalf: **125 / 2**

SEDIBALETSA ISF 060022 - SP
0064120652- 15-NOV-06- DNS: U115126

BUSHKLOOF RV 070085 - B
0065431314 - 17-NOV-07

OEK **34** TKP **377**
Oud. / Kalwers **11j.0m. / 9**
Koei Doelt. -
Koei/Speen Verh.: -%
Gem SI/Kalf: / 0

NANDIT 940379 - SP
0032842908- 04-NOV-94

NANDIT 860006 - B
0011432861 - 01-JUL-86

MODJADJI LEB 920085 - A
0043532118 - 29-MAR-92

MODJADJI LEB 950516 - A
0041207861 - 01-JAN-95

BHETJANE FF 010136 - SP
0045377017 - 13-OCT-01- DNS: X0000110589

SEDIBALETSA ISF 040012 - SP
0049403454 - 30-SEP-04

BUSHKLOOF RV 030099 - A
0062605910- 15-OCT-03- DNS: U0000138524

QUAGGA FLATS GL 010125 - B
0045649936 - 11-NOV-01

Seleksie W.	KALF GEMAK		MELK	KALFGROEI	ONDERHOUD		GROEI TOETS					VRUGBAARHEID			KOEI WAARDE	GROEI WAARDE	PRODUKSIE WAARDE
	107 ₄₁	41	107 ₃₂	88 ₃₆	108 ₁₉	Tipe groeipunt					98 ₄₆						
TW Ind	Geb gew	Geb Mat	Melk	Speen gew	Naspeen	Volw. gewig	GDT	Kleiber	VOV	Lengte	Hoogte	SO	OEK	TKP	97 ₂₉	92 ₃₆	94 ₃₂
TW	-31 ₄₃	0 ₂₉	2 ₃₂	-2.6 ₃₆	-3.8 ₂₀	-2.7 ₁₉	-20.1 ₁₆	3.8 ₁₆	-	-7.3 ₁₈	-5.4 ₁₈	-1.5 ₁₈	5.1 ₄₉	-1.4 ₃₃	In Vitro		
Telersopmerkinge: 7,5M PREGNANT TO FF13-104															Spoelings/Embrios/Kalwers: 0/0/0 Toetse: CA & TB Tested Inent. -		

LOT 88

0603085, LEOPARD RIDGE CONSERVANCY CC, T/A DUN NGUNIS,P.O. BOX 7007, GRAHAMSTOWN,6148,(T)083-655 5597



Name Ident. number Sex Section Reg. number Birth Date

BABAZEKA RVS 170069 **FEMALE A** **0085929024** **07-OCT-17**

BABAZEKA RVS 170069 - A
0085929024 - 07-OCT-17
AFC **36** ICP -
Age / Calves **3yr.0m. / 1**
Avg. WI/Calf: / 0
Cow Eff.: **83**
Cow/Wean Ratio: **29.38%**
CALVINGS
10/20

--- MS
0135431189 - 01-JAN-40



BABAZEKA RVS 120062 - FR
0079358057 - 15-OCT-12

AFC - ICP **369**
Age / Calves **5yr.10m. / 4**
Cow Eff. -
Cow/Wean Ratio: -%
Avg. WI/Calf **81 / 3**

----	----	----	----	----	----	----	----	----	----	----	----	----	----	----	----	----	----
----	----	----	----	----	----	----	----	----	----	----	----	----	----	----	----	----	----
----	----	----	----	----	----	----	----	----	----	----	----	----	----	----	----	----	----
----	----	----	----	----	----	----	----	----	----	----	----	----	----	----	----	----	----
----	----	----	----	----	----	----	----	----	----	----	----	----	----	----	----	----	----
----	----	----	----	----	----	----	----	----	----	----	----	----	----	----	----	----	----
----	----	----	----	----	----	----	----	----	----	----	----	----	----	----	----	----	----
----	----	----	----	----	----	----	----	----	----	----	----	----	----	----	----	----	----
----	----	----	----	----	----	----	----	----	----	----	----	----	----	----	----	----	----
----	----	----	----	----	----	----	----	----	----	----	----	----	----	----	----	----	----

Selection V.	CALVING EASE		MILK	CALF GRWTH	MAINTENANCE		GROWTH TEST					FERTILITY			COW VALUE	GROWTH VALUE	PRODUCTION VALUE
	80 ₆₀	60	86 ₃₂	104 ₆₄	-	-	Type					88 ₁₂					
BV Ind	Birth wght	Birth Mat	Milk	Wean wght	Post wean	Mature wght	ADG	Kleiber	FCR	Length	Height	SC	AFC	ICP	101 ₃₆	-	-
BV	.99 ₆₆	.13 ₂₉	-2.5 ₃₂	3 ₆₄	4 ₂₇	-	-	-	-	-	-	-	-	-	In Vitro		
Breeder's Remarks: 7,5M PREGNANT TO FF13-104															Flushings/Embrios/Calves: 0/0/0 Tests: CA & TB Tested Vacc. -		

LOT 89

0603085, LEOPARD RIDGE CONSERVANCY CC, T/A DUN NGUNIS,P.O. BOX 7007, GRAHAMSTOWN,6148,(T)083-655 5597



Naam Ident. nommer Geslag Afdeling Reg. nommer Geboorte Datum

LEROYENDALL RY 110001 VROULIK SP 0073737009 28-JUL-11

GAZELLE

LEROYENDALL RY 110001 - SP
0073737009 - 28-JUL-11

OEK 36 TKP 367
Oud. / Kalwers 10j.0m. / 8
Gem SI/Kalf: / 0
Koei Doelt.: 92
Koei/Speen Verh.: 45.31%
KALWINGS
08/14 ,07/15 ,
06/16 ,05/17 ,
08/18 ,11/19 ,
09/20 ,08/21

LEROYENDALL RY 060215 - B
0063035273 -27-AUG-06- DNS: P812/07



LEROYENDALL RY 080048 - SP
0067446039 - 20-NOV-08

OEK 32 TKP 506
Oud. / Kalwers 12j.4m. / 8
Koei Doelt. 114
Koei/Speen Verh.: 50%
Gem SI/Kalf: 87 / 1

- JS94266 - SP
0046446126 -04-NOV-94- DNS: P3254/03

ELTEE LT 030023 - A
0048126429 - 27-OCT-03

OEK 34 TKP 366
Oud. / Kalwers 12j.10m. / 11
Koei/Speen Verh.: -%
Koei Doelt. -
Gem SI/Kalf: 100 / 10

RODS WRA 050019 - SP
0061089884 - 04-FEB-05

LEROYENDALL RY 060005 - B
0062712468 - 15-MAR-06

OEK 32 TKP 387
Oud. / Kalwers 15j.4m. / 13
Koei Doelt. -
Koei/Speen Verh.: -%
Gem SI/Kalf: 89 / 4

SINRAD JS 880242 - B

0017870817- 22-DEC-88
SINRAD JS 860007 - B
0013003108 - 26-SEP-86

--- MS
0135431189 -01-JAN-40

SKOMBUZA SKZ 990138 - A
0044716199 - 02-SEP-99

RODS WRA 010083 - B
0046063236 -13-NOV-01- BLD: P172802

RODS WRA 020005 - B
0045919974 - 23-JAN-02

ELTEE LT 990006 - SP
0044515641- 21-NOV-99

LEROYENDALL RY 020084 - A
0061877999 - 15-OCT-02

Seleksie W.	KALF GEMAK		MELK	KALFGROEI	ONDERHOUD		GROEI TOETS					VRUGBAARHEID			KOEI WAAARDE	GROEI WAAARDE	PRODUKSIE WAAARDE
	★★★★	★★★★	★★★	★★	★★★★	Tipe groeipunt					★★★★						
	124 ⁶³	63	100 ⁴²	85 ⁷¹	113 ²³						115 ⁴⁸						
TW Ind	Geb gew	Geb Mat	Melk	Speen gew	Naspeen	Volw. gewig	GDT	Kleiber	VOV	Langte	Hoogte	SO	OEK	TKP	★★★★	★★★	★★★
TW	123	92	100	85	91	89	-	-	-	-	89	80	113	109	111 ³⁸	100 ⁵³	105 ⁴⁶
	-1.19 ⁶⁸	.23 ³⁷	.54 ²	-3.4 ⁷¹	-1.7 ⁵⁶	-6 ²³	-	-	-	-	-4.6 ⁵	-4.8 ⁵	-14.6 ⁴⁶	-4.1 ³⁵	In Vitro		
Telersopmerkings: 6,5M PREGNANT TO FF13-104														Spoelings/Embrios/Kalwers: 0/0/0 Toetse: CA & TB Tested Inent. -			

LOT 90

0603085, LEOPARD RIDGE CONSERVANCY CC, T/A DUN NGUNIS,P.O. BOX 7007, GRAHAMSTOWN,6148,(T)083-655 5597



Name Ident. number Sex Section Reg. number Birth Date

LEROYENDALL RY 060005 FEMALE B 0062712468 15-MAR-06

BOZETTE

LEROYENDALL RY 060005 - B
0062712468 - 15-MAR-06

AFC 32 ICP 387
Age / Calves 15yr.4m. / 13
Avg. WI/Calf: 89 / 4
Cow Eff.: -
Cow/Wean Ratio: -%
CALVINGS
11/08 ,10/09 ,
10/10 ,09/11 ,
09/12 ,09/13 ,
09/14 ,08/15 ,
10/16 ,08/17 ,
11/18 ,04/20 ,
08/21

ELTEE LT 990006 - SP
0044515641 -21-NOV-99



LEROYENDALL RY 020084 - A
0061877999 - 15-OCT-02

AFC - ICP -
Age / Calves 3yr.5m. / 1
Cow Eff. -
Cow/Wean Ratio: -%
Avg. WI/Calf: / 0

MORGAN AZ 960096 - B
0038166179 -08-NOV-96

MORGAN AZ 960122 - SP
0038166369 - 20-NOV-96

AFC 25 ICP 479
Age / Calves 12yr.7m. / 9
Cow/Wean Ratio: 52.73%
Cow Eff. 112
Avg. WI/Calf: 93 / 2

CAREFREE C 920170 - SP
0027264290 - 05-DEC-92

CAREFREE C 900010 - B
0022249528 - 07-AUG-90

CAREFREE C 920153 - B
0027264191 -30-NOV-92

MORGAN AZ 940071 - SP
0033136094 - 29-NOV-94

Selection V.	CALVING EASE		MILK	CALF GRWTH	MAINTENANCE		GROWTH TEST					FERTILITY			COW VALUE	GROWTH VALUE	PRODUCTION VALUE
	★★★★	★★★★	★★	★★★	★★★★	Type					★★★★						
	113 ⁶⁶	66	74 ⁷⁵	92 ⁶⁴	117 ⁴⁵						111 ⁵³						
BV Ind	Birth wght	Birth Mat	Milk	Wean wght	Post wean	Mature wght	ADG	Kleiber	FCR	Length	Height	SC	AFC	ICP	★★★	★★★	★★★
BV	109	111	74	92	88	86	80	82	-	84	92	80	112	114	101 ⁴⁷	96 ⁶⁰	98 ⁵⁴
	-48 ⁶⁵	-31 ⁷¹	-5.1 ⁷⁵	-1.2 ⁶⁴	-3.4 ³²	-8.1 ⁴⁵	-37.8 ⁸	-9.5 ⁸	-	-8.3 ⁹	-3.5 ⁹	-5 ⁹	-13.5 ⁶⁰	-5.3 ³⁴	In Vitro		
Breeder's Remarks: 7M PREGNANT TO FF13-104														Flushings/Embrios/Calves: 0/0/0 Tests: CA & TB Tested Vacc. -			

LOT 91

0603085, LEOPARD RIDGE CONSERVANCY CC, T/A DUN NGUNIS,P.O. BOX 7007, GRAHAMSTOWN,6148,(T)083-655 5597



Naam Ident. nommer Geslag Afdeling Reg. nommer Geboorte Datum
LEROYENDALL RY 080048 VROULIK SP 0067446039 20-NOV-08
DOWN TOWN

LEROYENDALL RY 080048 - SP
 0067446039 - 20-NOV-08- DNS: U257615
 OEK **32** TKP **506**
 Oud. / Kalwers **12j.4m. / 8**
 Gem SI/Kalf: **87 / 1**
 Koei Doelt.: **114**
 Koei/Speen Verh.: **50%**
 KALWINGS
07/11 ,09/12 ,
10/13 ,01/15 ,
09/16 ,02/18 ,
10/19 ,04/21

RODS WRA 050019 - SP
 0061089884 -04-FEB-05



LEROYENDALL RY 060005 - B
 0062712468 - 15-MAR-06

OEK **32** TKP **387**
 Oud. / Kalwers **15j.4m. / 13**
 Koei Doelt. **-**
 Koei/Speen Verh.: **-%**
 Gem SI/Kalf: **89 / 4**

RODS WRA 010083 - B
 0046063236 -13-NOV-01- BLD: P172802

RODS WRA 020005 - B
 0045919974 - 23-JAN-02

OEK **36** TKP **560**
 Oud. / Kalwers **10j.8m. / 6**
 Koei/Speen Verh.: **-%**
 Koei Doelt. **-**
 Gem SI/Kalf: **111 / 1**

ELTEE LT 990006 - SP
 0044515641- 21-NOV-99

LEROYENDALL RY 020084 - A
 0061877999 - 15-OCT-02

OEK **-** TKP **-**
 Oud. / Kalwers **3j.5m. / 1**
 Koei Doelt. **-**
 Koei/Speen Verh.: **-%**
 Gem SI/Kalf: **/ 0**

RODS WRA 960006 - A
 0044670768- 01-OCT-96- DNS: P1734/02

CAREFREE C 890004 - A
 0020733853 - 20-OCT-89

RODS WRA 960006 - A
 0044670768 -01-OCT-96- DNS: P1734/02

RODS WRA 970048 - SP
 0039248406 - 09-NOV-97

MORGAN AZ 960096 - B
 0038166179 -08-NOV-96

MORGAN AZ 960122 - SP
 0038166369 - 20-NOV-96

Seleksie W.	KALF GEMAK		MELK	KALFGROEI	ONDERHOUD		GROEI TOETS					VRUGBAARHEID		KOEI WAAARDE	GROEI WAAARDE	PRODUKSIE WAAARDE
	★★★★	★★★★	★★★	★★★★	Type groeipunt					★★★★						
	117 ₇₀	91 ₅₇	105 ₇₁	117 ₃₀	GDT	Kleiber	VOV	Lengte	Hoogte	SO	OEK	TKP	101 ₅₁	★★★★	★★★★	★★★★
TW Ind	128	81	91	105	104	85	-	-	-	-	-	113	93	106 ₄₂	116 ₅₇	111 ₅₀
TW	-1.44 ₇₄	.53 ₅₀	-1.4 ₅₇	3.3 ₇₁	4.4 ₃₀	-9.1 ₃₀	-	-	-	-	-	-	-	14.4 ₅₈	-4 ₃₁	In Vitro
Telersopmerkings: 7,5M PREGNANT TO FF13-104													Spoelings/Embrios/Kalwers: 0/0/0 Toetse: CA & TB Tested Inent. -			

LOT 92

0603085, LEOPARD RIDGE CONSERVANCY CC, T/A DUN NGUNIS,P.O. BOX 7007, GRAHAMSTOWN,6148,(T)083-655 5597



Name Ident. number Sex Section Reg. number Birth Date
NANDI T 160071 FEMALE SP 0084013572 07-AUG-16

NANDI T 160071 - SP
 0084013572 - 07-AUG-16
 AFC **38** ICP **544**
 Age / Calves **4yr.8m. / 2**
 Avg. WI/Calf: **/ 0**
 Cow Eff.: **-**
 Cow/Wean Ratio: **-%**
 CALVINGS
10/19 ,04/21

NANDI T 100086 - B
 0071129704 -07-AUG-10- DNA: U182474



NANDI T 060242 - B
 0063560668 - 07-NOV-06

AFC **34** ICP **416**
 Age / Calves **11yr.11m. / 9**
 Cow Eff. **-**
 Cow/Wean Ratio: **-%**
 Avg. WI/Calf: **104 / 1**

- T 021201 - A
 0063768915 -15-OCT-02- DNA: U176278

NANDI T 040007 - SP
 0048207260 - 13-FEB-04

AFC **32** ICP **365**
 Age / Calves **11yr.7m. / 10**
 Cow/Wean Ratio: **-%**
 Cow Eff. **-**
 Avg. WI/Calf: **/ 0**

NANDI T 020204 - B
 0046619714- 19-OCT-02

- T 030258 - A
 0062587282 - 18-DEC-03

AFC **-** ICP **451**
 Age / Calves **7yr.9m. / 5**
 Cow Eff. **-**
 Cow/Wean Ratio: **-%**
 Avg. WI/Calf: **/ 0**

NANDI T 980148 - SP
 0040900276 -02-OCT-98- DNA: U157361

NANDI T 910105 - SP
 0024567968 - 02-OCT-91

TAFELSIG CS 980003 - SP
 0040385213 -17-JUN-98- DNA: X0000052318

NANDI T 990096 - A
 0046128211 - 06-SEP-99

NANDI T 980148 - SP
 0040900276 - 02-OCT-98- DNA: U157361

Selection V.	CALVING EASE		MILK	CALF GRWTH	MAINTENANCE		GROWTH TEST					FERTILITY			COW VALUE	GROWTH VALUE	PRODUCTION VALUE					
	★★★★	★★★★	★★★	★★★★	Type					★★★★												
	120 ₂₁	109 ₃₃	71 ₃₄	114 ₁₁	Birth wght	Birth Mat	Milk	Wean wght	Post wean	Mature wght	ADG	Kleiber	FCR	Length	Height	SC	AFC	ICP	92 ₄₅	★★	★★	★★
BV Ind	115	112	109	71	73	87	-	-	-	-	-	-	-	84	75	106	94	88 ₂₆	77 ₃₃	81 ₃₀		
BV	-79 ₂₂	-34 ₁₅	2.5 ₃₃	-8.3 ₃₄	-10.8 ₆	-7.6 ₁₁	-	-	-	-	-	-	-	-6.9 ₆	-6.7 ₅	-9.2 ₅₁	-6.28	In Vitro				
Breeder's Remarks: 5,5M PREGNANT TO TV15-548													Flushings/Embrios/Calves: 0/0/0 Tests: CA & TB Tested Vacc. -									

LOT 93

0603085, LEOPARD RIDGE CONSERVANCY CC, T/A DUN NGUNIS,P.O. BOX 7007, GRAHAMSTOWN,6148,(T)083-655 5597



Naam Ident. nommer Geslag Afdeling Reg. nommer Geboorte Datum
SLAGBOOM WT 140105 VROULIK SP 0080671068 06-NOV-14

SLAGBOOM WT 140105 - SP
 0080671068 - 06-NOV-14
 OEK 24 TKP 450
 Oud. / Kalwers 5j.8m. / 4
 Gem SI/Kalf: / 0
 Koei Doelt.: -
 Koei/Speen Verh.: -%
 KALWINGS
 11/16 ,10/17 ,
 06/19 ,07/20

QUAGGA FLATS GL 060110 - SP
 0063966949 -18-DEC-06- DNS: U162620



SLAGBOOM WT 060054 - B
 0063425763 - 15-OCT-06
 OEK 36 TKP 448
 Oud. / Kalwers 9j.1m. / 6
 Koei Doelt. -
 Koei/Speen Verh.: -%
 Gem SI/Kalf: / 0

WALT GF 010023 - SP
 0044753317 -16-JUL-01- DNS: U160096

QUAGGA FLATS GL 010025 - B
 0044720647 - 08-MAR-01

OEK 33 TKP 378
 Oud. / Kalwers 7j.10m. / 6
 Koei/Speen Verh.: -%
 Koei Doelt. -
 Gem SI/Kalf: / 0

BHETJANE FF 020084 - SP
 0046467262 - 24-SEP-02

- WT 010007 - A
 0062607809 - 15-OCT-01

OEK - TKP 377
 Oud. / Kalwers 8j.1m. / 4
 Koei Doelt. -
 Koei/Speen Verh.: -%
 Gem SI/Kalf: / 0

LINZULU BK 890060 - B
 0021550686- 31-DEC-89- BLD: X4722

WALT GF 950013 - B
 0036512234 - 14-NOV-95

HANSEL HAS 910128 - B
 0024635708 -22-OCT-91- LID: X970004486

QUAGGA FLATS GL 850011 - A
 0041304577 - 01-JAN-85

BHETJANE FF 940025 - B
 0029931821 -15-APR-94

BHETJANE FF 960005 - B
 0036921427 - 08-FEB-96

Seleksie W.	KALF GEMAK		MELK	KALFGROEI	ONDERHOUD		GROEI TOETS					VRUGBAARHEID			KOEI WAAARDE	GROEI WAAARDE	PRODUKSIE WAAARDE
	105 ₃₂	106 ₃₃	99 ₃₅	108 ₂₄	Tipe groeipunt					96 ₅₁							
TW Ind	Geb gew	Geb Mat	Melk	Speen gew	Naspeen	Volw. gewig	GDT	Kleiber	VOV	Lengte	Hoogte	SO	OEK	TKP	100 ₃₁	104 ₃₇	102 ₃₄
TW	-29 ₃₂	2 ₃₃	1.8 ₃₃	1.4 ₃₅	1.3 ₂₄	-2.3 ₂₄	3 ₁₄	21 ₁₄	-	.6 ₁₆	-2 ₁₆	.4 ₁₆	-4.4 ₅₈	.8 ₃₇	In Vitro		
Telersopmerkinge: 7,5M PREGNANT TO FF13-104															Spoelings/Embrios/Kalwers: 0/0/0 Toetse: CA & TB Tested Inent. -		

LOT 94

0603085, LEOPARD RIDGE CONSERVANCY CC, T/A DUN NGUNIS,P.O. BOX 7007, GRAHAMSTOWN,6148,(T)083-655 5597



Name Ident. number Sex Section Reg. number Birth Date
XHACHA XA 140031 FEMALE SP 0080100928 27-JUL-14

XHACHA XA 140031 - SP
 0080100928 - 27-JUL-14- DNA: U234440
 AFC 28 ICP 537
 Age / Calves 6yr.9m. / 4
 Avg. WI/Calf: 98 / 3
 Cow Eff.: 86
 Cow/Wean Ratio: 39.95%
 CALVINGS
 12/16 ,04/18 ,
 08/19 ,05/21

EDLYN ED 090025 - B
 0068874692 -09-MAY-09- DNA: U147290



AMATOLE FHU 100087 - SP
 0072364136 - 25-NOV-10

AFC 30 ICP 413
 Age / Calves 8yr.1m. / 6
 Cow Eff. -
 Cow/Wean Ratio: -%
 Avg. WI/Calf: 108 / 6

MATOTOLAND GMD 030248 - A
 0061043188 -15-OCT-03- DNA: U97212

TAFELSIG CS 050323 - SP
 0061444345 - 06-JUL-05

AFC 28 ICP 555
 Age / Calves 3yr.10m. / 2
 Cow/Wean Ratio: -%
 Cow Eff. -
 Avg. WI/Calf: / 0

AMATOLE FHU 040056 - SP
 0048975379- 14-OCT-04

AMATOLE FHU 060003 - SP
 0062249479 - 16-JAN-06

AFC 34 ICP 373
 Age / Calves 5yr.10m. / 4
 Cow Eff. -
 Cow/Wean Ratio: -%
 Avg. WI/Calf: / 0

TAFELSIG CS 930055 - B
 0028671816- 23-SEP-93- DNA: X000084374

BHETJANE FF 970027 - B
 0038512372 -09-MAY-97

TAFELSIG CS 020344 - B
 0046618468 - 06-OCT-02

AMATOLE FHU 960022 - SP
 0037123841 -08-OCT-96

AMATOLE FHU 980041 - SP
 0040474017 - 10-AUG-98

TRIPLE STREAMS TC 000011 - B
 0043913110- 10-OCT-00

AMATOLE FHU 930013 - SP
 0028973444 - 05-NOV-93

Selection V.	CALVING EASE		MILK	CALF GRWTH	MAINTENANCE		GROWTH TEST					FERTILITY			COW VALUE	GROWTH VALUE	PRODUCTION VALUE
	104 ₇₇	129 ₇₁	98 ₇₆	95 ₄₄	Type					105 ₅₁							
BV Ind	Birth wght	Birth Mat	Milk	Wean wght	Post wean	Mature wght	ADG	Kleiber	FCR	Length	Height	SC	AFC	ICP	109 ₄₇	108 ₆₃	108 ₅₅
BV	-35 ₇₉	.58 ₆₉	6.7 ₇₁	.8 ₇₆	5.9 ₆₈	4.3 ₄₄	-8.2 ₇	14.6 ₇	-	-3.3 ₁₀	-1.7 ₁₀	.9 ₁₀	-2.2 ₆₀	-2.5 ₃₄	In Vitro		
Breeder's Remarks: 6M PREGNANT TO FF13-104															Flushings/Embrios/Calves: 0/0/0 Tests: CA & TB Tested Vacc. -		

LOT 95

0603085, LEOPARD RIDGE CONSERVANCY CC, T/A DUN NGUNIS,P.O. BOX 7007, GRAHAMSTOWN,6148,(T)083-655 5597



Naam Ident. nommer Geslag Afdeling Reg. nommer Geboorte Datum
MANYENYEZA BBC 170167 VROULIK A 0085879724 14-SEP-17

MANYENYEZA BBC 170167 - A
 0085879724 - 14-SEP-17
 OEK 38 TKP -
 Oud. / Kalwers 3j.2m. / 1
 Gem SI/Kalf: / 0
 Koei Doelt.: -
 Koei/Speen Verh.: -%
 KALWINGS
 11/20

--- MS
 0135431189 -01-JAN-40



MANYENYEZA BBC 130069 - FR
 0081632838 - 15-OCT-13
 OEK - TKP 423
 Oud. / Kalwers 7j.1m. / 5
 Koei Doelt. -
 Koei/Speen Verh.: -%
 Gem SI/Kalf: / 0

----	----
----	----
----	----
----	----
----	----
----	----
----	----
----	----
----	----
----	----
----	----
----	----
----	----
----	----
----	----
----	----
----	----

Seleksie W.	KALF GEMAK		MELK	KALFGROEI	ONDERHOUD		GROEI TOETS					VRUGBAARHEID			KOEI WAARDE	GROEI WAARDE	PRODUKSIE WAARDE
	Geb gew	Geb Mat	Melk	Speen gew	Naspeen	Volw. gewig	GDT	Kleiber	VOV	Lengte	Hoogte	SO	OEK	TKP			
TW Ind	-	-	-	-	-	-	-	-	-	-	-	-	-	-	-	-	-
TW	-	-	-	-	-	-	-	-	-	-	-	-	-	-	-	-	-
Telersopmerkinge: 8M PREGNANT TO FF13-104													Spoelings/Embrios/Kalwers: 0/0/0 Toetse: CA & TB Tested				
													In Vitro				
													Inent. -				

LOT 96


0603085, LEOPARD RIDGE CONSERVANCY CC, T/A DUN NGUNIS,P.O. BOX 7007, GRAHAMSTOWN,6148,(T)083-655 5597



Name Ident. number Sex Section Reg. number Birth Date
GARIEP FB 160215 FEMALE SP 0085082378 21-DEC-16

GARIEP FB 160215 - SP
 0085082378 - 21-DEC-16
 AFC 32 ICP 413
 Age / Calves 4yr.11m. / 3
 Avg. WI/Calf: / 0
 Cow Eff.: -
 Cow/Wean Ratio: -%
 CALVINGS
 08/19, 09/20, 11/21

GARIEP FB 110080 - SP
 0074478652 -01-NOV-11- DNA: U261503



GARIEP FB 120087 - SP
 0076275353 - 31-OCT-12
 AFC 36 ICP 359
 Age / Calves 8yr.10m. / 7
 Cow Eff. -
 Cow/Wean Ratio: -%
 Avg. WI/Calf: / 0

GARIEP FB 060029 - SP 0062942289 -25-MAY-06- DNA: U235613	WALT GF 970056 - B 0039633979- 15-NOV-97- LID: X970004484 - TOL 020121 - B 0048628820 - 24-OCT-02
GARIEP FB 010059 - B 0045420650 - 02-NOV-01 AFC 32 ICP 395 Age / Calves 13yr.6m. / 11 Cow/Wean Ratio: -% Cow Eff. - Avg. WI/Calf: / 0	TAFELSIG CS 910004 - B 0023335649 -03-FEB-91- BLD: X5365 GARIEP FB 890170 - A 0039930151 - 01-JAN-89
GARIEP FB 060029 - SP 0062942289- 25-MAY-06- DNA: U235613	WALT GF 970056 - B 0039633979 -15-NOV-97- LID: X970004484 - TOL 020121 - B 0048628820 - 24-OCT-02
GARIEP FB 050067 - B 0061993911 - 03-NOV-05 AFC 25 ICP 364 Age / Calves 11yr.0m. / 10 Cow Eff. - Cow/Wean Ratio: -% Avg. WI/Calf: / 0	GARIEP FB 960020 - A 0048354054- 01-JAN-96 GARIEP FB 010011 - SP 0044802429 - 25-JUL-01

Selection V.	CALVING EASE		MILK	CALF GRWTH	MAINTENANCE		GROWTH TEST					FERTILITY			COW VALUE	GROWTH VALUE	PRODUCTION VALUE
	105 ³³	86 ²⁵	94 ²⁹	-	-	ADG	Kleiber	FCR	Length	Height	SC	AFC	ICP				
BV Ind	102	113	86	94	-	-	-	-	-	-	-	98	141	-	-	-	
BV	-1.35	-0.34 ²²	-2.6 ²⁵	-0.3 ²⁹	-	-	-	-	-	-	-	-2.85 ³⁴	11.3 ²⁷	In Vitro			
Breeder's Remarks: RUNNING WITH FF13-104/T17-86. BULL CALF DUN21-58 DIED													Flushings/Embrios/Calves: 0/0/0 Tests: CA & TB Tested				
													Vacc. -				

LOT 97

0603085, LEOPARD RIDGE CONSERVANCY CC, T/A DUN NGUNIS,P.O. BOX 7007, GRAHAMSTOWN,6148,(T)083-655 5597



Naam Ident. nommer Geslag Afdeling Reg. nommer Geboorte Datum
BONTVOET NN 160004 VROULIK SP 0083375295 26-MAR-16
UMA

BONTVOET NN 160004 - SP
 0083375295 - 26-MAR-16
 OEK 31 TKP 477
 Oud. / Kalwers 5j.1m. / 3
 Gem SI/Kalf: / 0
 Koei Doelt.: -
 Koei/Speen Verh.: -%
 KALWINGS
 10/18 ,11/19 ,
 05/21

BHETJANE FF 100242 - SP
 0072002868 -22-OCT-10- DNS: U275885



ANDRICAS PB 050025 - SP
 0061718623 - 25-OCT-05
 OEK 26 TKP 368
 Oud. / Kalwers 12j.2m. / 11
 Koei Doelt. -
 Koei/Speen Verh.: -%
 Gem SI/Kalf: 105 / 1

MODJADJI LEB 000115 - B
 0044585099 -12-OCT-00

BHETJANE FF 030163 - SP
 0048056881 - 17-DEC-03
 OEK 24 TKP 364
 Oud. / Kalwers 10j.11m. / 10
 Koei/Speen Verh.: 40.75%
 Koei Doelt. 101
 Gem SI/Kalf: 101 / 9

GELYKFORTEIN SW 960501 - B
 0040517419- 29-SEP-96

KGWAADI NZR 940029 - B
 0032843815 - 25-NOV-94
 OEK 33 TKP 366
 Oud. / Kalwers 13j.9m. / 12
 Koei Doelt. -
 Koei/Speen Verh.: -%
 Gem SI/Kalf: 92 / 4

MODJADJI LEB 960892 - SP
 0037869252- 29-NOV-96- DNS: P2178/05
MODJADJI LEB 950109 - A
 0041208497 - 01-JAN-95

BHETJANE FF 950074 - B
 0034327304 -24-JUL-95

BHETJANE FF 990037 - SP
 0043111889 - 10-MAY-99

GELYKFORTEIN SW 910115 - A
 0036665578 -01-JAN-91

GELYKFORTEIN SW 870125 - A
 0036666840 - 01-JAN-87

D.O.A. DOAL850585 - B
 0011540820- 29-SEP-85- BLD: X31083

LERATO MAN 890003 - A
 0023682305 - 01-JAN-89

Seleksie W.	KALF GEMAK		MELK	KALFGROEI	ONDERHOUD		GROEI TOETS					VRUGBAARHEID			KOEI WAARDE	GROEI WAARDE	PRODUKSIE WAARDE
	101 ³⁴	88 ⁴²	99 ⁴⁵	104 ²⁷	Tipe groeipunt					91 ⁴⁴							
	Geb gew	Geb Mat	Melk	Speen gew	Naspeen	Volw. gewig	GDT	Kleiber	VOV	Lengte	Hoogte	SO	OEK	TKP			
TW Ind	98	112	88	99	98	96	92	95	-	87	84	107	101	90	86 ³²	92 ⁴¹	88 ³⁶
TW	.12 ³⁵	-.34 ³¹	-2.1 ⁴²	1.2 ⁴⁵	1.3 ²⁹	-.127	-13.1 ³³	10 ³³	-	-6.5 ³⁷	-6.8 ³⁸	4.9 ³⁸	-4.9 ⁵¹	2.31	In Vitro		
Telsopmerkings: RUNNING WITH FF13-104/T17-86															Spoelings/Embrios/Kalwers: 0/0/0 Toetse: CA & TB Tested Inent. -		

LOT 98

0603085, LEOPARD RIDGE CONSERVANCY CC, T/A DUN NGUNIS,P.O. BOX 7007, GRAHAMSTOWN,6148,(T)083-655 5597



Name Ident. number Sex Section Reg. number Birth Date
SLAGBOOM WT 180089 FEMALE SP 0087390027 03-AUG-18

SLAGBOOM WT 180089 - SP
 0087390027 - 03-AUG-18
 AFC 34 ICP -
 Age / Calves 2yr.9m. / 1
 Avg. WI/Calf: / 0
 Cow Eff.: -
 Cow/Wean Ratio: -%
 CALVINGS
 05/21

QUAGGA FLATS GL 120033 - SP
 0075785683 -30-SEP-12- DNA: U513748



SLAGBOOM WT 110030 - SP
 0072882152 - 16-MAR-11

AFC 38 ICP 385
 Age / Calves 10yr.6m. / 8
 Cow Eff. -
 Cow/Wean Ratio: -%
 Avg. WI/Calf: / 0

QUAGGA FLATS GL 050108 - SP
 0062203120 -23-NOV-05- GEN: AS003108

QUAGGA FLATS GL 030123 - SP
 0047965983 - 28-NOV-03
 AFC 34 ICP 428
 Age / Calves 9yr.10m. / 7
 Cow/Wean Ratio: -%
 Cow Eff. -
 Avg. WI/Calf: 106 / 4

SLAGBOOM WT 050125 - B
 0063883862- 06-NOV-05- DNA: U179686

SLAGBOOM WT 060050 - B
 0063425730 - 05-SEP-06
 AFC 27 ICP 352
 Age / Calves 9yr.11m. / 9
 Cow Eff. -
 Cow/Wean Ratio: -%
 Avg. WI/Calf: / 0

WALT GF 010023 - SP
 0044753317- 16-JUL-01- DNA: U160096
QUAGGA FLATS GL 970141 - B
 0039702287 - 09-DEC-97

HANSEL HAS 910128 - B
 0024635708 -22-OCT-91- LID: X970004486

QUAGGA FLATS GL 000079 - B
 0043830710 - 16-OCT-00

DOHNE DI 980001 - SP
 0040838849 -31-JUL-98

- WT 030013 - A
 0062608161 - 15-OCT-03

BHETJANE FF 020084 - SP
 0046467262- 24-SEP-02

- WT 010018 - A
 0062608062 - 15-OCT-01

Selection V.	CALVING EASE		MILK	CALF GRWTH	MAINTENANCE		GROWTH TEST					FERTILITY			COW VALUE	GROWTH VALUE	PRODUCTION VALUE
	106 ⁴⁰	98 ³³	97 ⁴⁰	113 ²⁰	Type					94 ⁴¹							
	Birth wght	Birth Mat	Milk	Wean wght	Post wean	Mature wght	ADG	Kleiber	FCR	Length	Height	SC	AFC	ICP			
BV Ind	108	88	98	97	99	88	-	-	-	91	91	89	106	82	97 ²⁸	102 ³⁶	99 ³²
BV	-.39 ⁴²	.35 ³²	.1 ³³	.7 ⁴⁰	1.9 ²²	-6.3 ²⁰	-	-	-	-3.8 ⁵	-4 ⁶	-1.7 ⁶	-8.8 ⁴⁵	2.29	In Vitro		
Breeder's Remarks: RUNNING WITH FF13-104/T17-86															Flushings/Embrios/Calves: 0/0/0 Tests: CA & TB Tested Vacc. -		

LOT 99

0603085, LEOPARD RIDGE CONSERVANCY CC, T/A DUN NGUNIS,P.O. BOX 7007, GRAHAMSTOWN,6148,(T)083-655 5597



Naam Ident. nommer Geslag Afdeling Reg. nommer Geboorte Datum

WATERHOEK DUN 200011 **DUN 200011** **VROULIK SP** **0090578360** **04-JUN-20**

WATERHOEK DUN 200011 - SP
0090578360 - 04-JUN-20

OEK - TKP -
Oud. / Kalwers **1j.10m. / 0**
Gem SI/Kalf: / 0
Koei Doelt.: -
Koei/Speen Verh.: -%
KALWINGS

BHETJANE FF 130104 - SP
0078886504 -08-NOV-13- DNS: U369376



BUSHKLOOF RV 100047 - B
0071911374 - 25-NOV-10

OEK **31** TKP **361**
Oud. / Kalwers **9j.6m. / 8**
Koei Doelt. -
Koei/Speen Verh.: -%
Gem SI/Kalf: / 0

BHETJANE FF 050023 - SP
0061992715 -25-SEP-05- DNS: U1386071

WALT GF 070097 - SP
0065235574 - 11-OCT-07

OEK **25** TKP **371**
Oud. / Kalwers **8j.2m. / 7**
Koei/Speen Verh.: **52.33%**
Koei Doelt. **107**
Gem SI/Kalf: **105 / 7**

BHETJANE FF 020159 - B
0046859443- 05-DEC-02- DNS: X0000109906

TRENPARK U 020114 - A
0048238331 - 09-OCT-02

OEK - TKP **370**
Oud. / Kalwers **14j.2m. / 12**
Koei Doelt. -
Koei/Speen Verh.: -%
Gem SI/Kalf: / 0

BHETJANE FF 970037 - SP
0038512471- 14-MAY-97- DNS: P680/05
BHETJANE FF 970004 - B
0038512414 - 08-APR-97

WALT GF 010147 - SP
0045464153 -22-NOV-01- DNS: U151449

WALT GF 060018 - SP
0062584776 - 18-FEB-06

BHETJANE FF 970037 - SP
0038512471 -14-MAY-97- DNS: P680/05

BHETJANE FF 880041 - A
0022466163 - 01-JAN-88

Seleksie W.	KALF GEMAK		MELK	KALFGROEI	ONDERHOUD		GROEI TOETS					VRUGBAARHEID			KOEI WAAARDE	GROEI WAAARDE	PRODUKSIE WAAARDE
	104 ³⁴	34	91 ³⁷	106 ⁴⁴	93 ³¹	Tipe groeipunt					113 ³⁹						
TW Ind	Geb gew	Geb Mat	Melk	Speen gew	Naspeen	Volw. gewig	GDT	Kleiber	VOV	Lengte	Hoogte	SO	OEK	TKP	106 ³⁰	104 ³⁹	105 ³⁴
TW	-17 ³⁵	.02 ³²	-1.4 ³⁷	3.6 ⁴⁴	6.1 ²⁶	7.3 ³¹	25.6 ³³	40.4 ³³	-	10 ³⁷	4.3 ³⁹	7.3 ³⁸	118	111	-18.4 ⁴¹	-4.6 ²⁸	In Vitro
Telersopmerkings: RUNNING WITH FF13-104/T17-86															Spoelings/Embrios/Kalwers: 0/0/0 Toetse: CA & TB Tested Inent. -		

LOT 100

0603085, LEOPARD RIDGE CONSERVANCY CC, T/A DUN NGUNIS,P.O. BOX 7007, GRAHAMSTOWN,6148,(T)083-655 5597



Name Ident. number Sex Section Reg. number Birth Date

WATERHOEK DUN 200013 **DUN 200013** **FEMALE SP** **0090578386** **03-JUL-20**

WATERHOEK DUN 200013 - SP
0090578386 - 03-JUL-20

AFC - ICP -
Age / Calves **1j.9m. / 0**
Avg. WI/Calf: / 0
Cow Eff.: -
Cow/Wean Ratio: -%
CALVINGS

GARIEP FB 110080 - SP
0074478652 -01-NOV-11- DNA: U261503



HERONCLIFF HC 130067 - SP
0078941168 - 25-NOV-13

AFC **39** ICP **399**
Age / Calves **7yr.7m. / 5**
Cow Eff. -
Cow/Wean Ratio: -%
Avg. WI/Calf: / 0

GARIEP FB 060029 - SP
0062942289 -25-MAY-06- DNA: U235613

GARIEP FB 010059 - B
0045420650 - 02-NOV-01

AFC **32** ICP **395**
Age / Calves **13yr.6m. / 11**
Cow/Wean Ratio: -%
Cow Eff. -
Avg. WI/Calf: / 0

SNYBERG SB 080207 - B
0066214164- 14-JAN-08- DNA: U176008

HERONCLIFF HC 070021 - SP
0065208753 - 19-AUG-07

AFC **48** ICP **416**
Age / Calves **8yr.6m. / 5**
Cow Eff. -
Cow/Wean Ratio: -%
Avg. WI/Calf: / 0

WALT GF 970056 - B
0039633979- 15-NOV-97- LID: X970004484
- TOL 020121 - B
0048628820 - 24-OCT-02

TAFELSIG CS 910004 - B
0023335649 -03-FEB-91- BLD: X5365

GARIEP FB 890170 - A
0039930151 - 01-JAN-89

MODJADJI LEB 010209 - B
0045900057 -27-OCT-01- DNA: U39464

ELTEE LT 030029 - A
0048126361 - 10-NOV-03

SNYBERG SB 990033 - B
0043220086 - 11-JUL-99- DNA: U176011

SNYBERG SB 030048 - B
0048033195 - 02-DEC-03

Selection V.	CALVING EASE		MILK	CALF GRWTH	MAINTENANCE		GROWTH TEST					FERTILITY			COW VALUE	GROWTH VALUE	PRODUCTION VALUE
	113 ³⁸	83 ³²	86 ³⁵	118 ²¹	Type					94 ⁴¹							
BV Ind	Birth wght	Birth Mat	Milk	Wean wght	Post wean	Mature wght	ADG	Kleiber	FCR	Length	Height	SC	AFC	ICP	88 ²⁷	86 ³⁴	86 ³⁰
BV	-36 ³⁹	-62 ³¹	-3.3 ³²	-3.2 ³⁵	-7.1 ²⁴	-9.5 ²¹	-24.8 ¹³	2 ¹³	-	-7.4 ¹⁴	-7.1 ¹⁵	-2.7 ¹⁵	16.1 ⁴⁶	-4.9 ²⁸	In Vitro		
Breeder's Remarks: RUNNING WITH FF13-104/T17-86															Flushings/Embrios/Calves: 0/0/0 Tests: CA & TB Tested Vacc. -		

LOT 101

0603085, LEOPARD RIDGE CONSERVANCY CC, T/A DUN NGUNIS,P.O. BOX 7007, GRAHAMSTOWN,6148,(T)083-655 5597



Naam Ident. nommer Geslag Afdeling Reg. nommer Geboorte Datum

WATERHOEK DUN 200014 **DUN 200014** **VROULIK SP** **0093349066** **07-JUL-20**

WATERHOEK DUN 200014 - SP
0093349066 - 07-JUL-20
OEK - TKP -
Oud. / Kalwers **1j.9m. / 0**
Gem SI/Kalf: / 0
Koei Doelt.: -
Koei/Speen Verh.: -%
KALWINGS

GARIEP FB 110080 - SP
0074478652 -01-NOV-11- DNS: U261503



XHACHA XA 160067 - SP
0084452531 - 26-OCT-16
OEK **44** TKP **327**
Oud. / Kalwers **4j.7m. / 2**
Koei Doelt. **89**
Koei/Speen Verh.: **46.77%**
Gem SI/Kalf: / 0

GARIEP FB 060029 - SP
0062942289 -25-MAY-06- DNS: U235613

GARIEP FB 010059 - B
0045420650 - 02-NOV-01
OEK **32** TKP **395**
Oud. / Kalwers **13j.6m. / 11**
Koei/Speen Verh.: -%
Koei Doelt. -
Gem SI/Kalf: / 0

EDLYN ED 090025 - B
0068874692- 09-MAY-09- DNS: U147290

BHETJANE FF 100212 - SP
0072002561 - 09-OCT-10
OEK **30** TKP **409**
Oud. / Kalwers **8j.1m. / 6**
Koei Doelt. **104**
Koei/Speen Verh.: **48.23%**
Gem SI/Kalf: **96 / 6**

WALT GF 970056 - B
0039633979- 15-NOV-97- LID: X970004484
- TOL 020121 - B
0048628820 - 24-OCT-02

TAFELSIG CS 910004 - B
0023335649 -03-FEB-91- BLD: X5365

GARIEP FB 890170 - A
0039930151 - 01-JAN-89

MATOTOLAND GMD 030248 - A
0061043188 -15-OCT-03- DNS: U97212

TAFELSIG CS 050323 - SP
0061444345 - 06-JUL-05

MODJADJI LEB 000115 - B
0044585099- 12-OCT-00

BHETJANE FF 030015 - SP
0047473319 - 20-AUG-03

Seleksie W.	KALF GEMAK		MELK	KALFGROEI	ONDERHOUD		GROEI TOETS					VRUGBAARHEID			KOEI WAARDE	GROEI WAARDE	PRODUKSIE WAARDE					
	★★★★	★★★★	★★★★	★★★★	★★★★		Tipe groeipunt					★★★★										
	117 ₄₇	92 ₃₉	96 ₄₉	103 ₂₈	Geb gew	Geb Mat	Melk	Speen gew	Naspeen	Volw. gewig	GDT	Kleiber	VOV	Lengte	Hoogte	SO	OEK	TKP	108 ₄₀	★★★★	★★★★	★★★★
TW Ind	114	107	92	96	96	96	91	90	-	97	94	101	88	128	102 ₃₂	98 ₄₂	99 ₃₇	In Vitro				
TW	-72 ₄₉	-18 ₃₇	-1.3 ₃₉	.3 ₄₉	.3 ₃₈	.2 ₂₈	-15.5 ₁₅	3.2 ₁₅	-	.4 ₁₆	-2.5 ₁₇	2.6 ₁₆	5.2 ₄₄	-8.3 ₂₉	In Vitro							
Telersopmerkings: RUNNING WITH FF13-104/T17-86																		Spoelings/Embrios/Kalwers: 0/0/0 Toetse: CA & TB Tested Inent. -				

LOT 102

0603085, LEOPARD RIDGE CONSERVANCY CC, T/A DUN NGUNIS,P.O. BOX 7007, GRAHAMSTOWN,6148,(T)083-655 5597



Name Ident. number Sex Section Reg. number Birth Date

WATERHOEK DUN 200032 **DUN 200032** **FEMALE SP** **0090852682** **24-SEP-20**

WATERHOEK DUN 200032 - SP
0090852682 - 24-SEP-20
AFC - ICP -
Age / Calves **1j.6m. / 0**
Avg. WI/Calf: / 0
Cow Eff.: -
Cow/Wean Ratio: -%
CALVINGS

BHETJANE FF 130104 - SP
0078886504 -08-NOV-13- DNA: U369376



LEROYENDALL RY 110001 - SP
0073737009 - 28-JUL-11

AFC **36** ICP **367**
Age / Calves **10yr.0m. / 8**
Cow Eff. **92**
Cow/Wean Ratio: **45.31%**
Avg. WI/Calf: / 0

BHETJANE FF 050023 - SP
0061992715 -25-SEP-05- DNA: U1386071

WALT GF 070097 - SP
0065235574 - 11-OCT-07
AFC **25** ICP **371**
Age / Calves **8yr.2m. / 7**
Cow/Wean Ratio: **52.33%**
Cow Eff. **107**
Avg. WI/Calf: **105 / 7**

LEROYENDALL RY 060215 - B
0063035273- 27-AUG-06- DNA: P812/07

LEROYENDALL RY 080048 - SP
0067446039 - 20-NOV-08
AFC **32** ICP **506**
Age / Calves **12yr.4m. / 8**
Cow Eff. **114**
Cow/Wean Ratio: **50%**
Avg. WI/Calf: **87 / 1**

BHETJANE FF 970037 - SP
0038512471- 14-MAY-97- DNA: P680/05

BHETJANE FF 970004 - B
0038512141 - 08-APR-97

WALT GF 010147 - SP
0045464153 -22-NOV-01- DNA: U151449

WALT GF 060018 - SP
0062584776 - 18-FEB-06

- JS94266 - SP
0046446126 -04-NOV-94- DNA: P3254/03

ELTEE LT 030023 - A
0048126429 - 27-OCT-03

RODS WRA 050019 - SP
0061089884- 04-FEB-05

LEROYENDALL RY 060005 - B
0062712468 - 15-MAR-06

Selection V.	CALVING EASE		MILK	CALF GRWTH	MAINTENANCE		GROWTH TEST					FERTILITY			COW VALUE	GROWTH VALUE	PRODUCTION VALUE					
	★★★★	★★★★	★★★★	★★★★	★★★★		Type					★★★★										
	103 ₃₉	97 ₃₇	108 ₅₂	92 ₂₉	Birth wght	Birth Mat	Milk	Wean wght	Post wean	Mature wght	ADG	Kleiber	FCR	Length	Height	SC	AFC	ICP	111 ₃₇	★★★★	★★★★	★★★★
BV Ind	105	89	97	108	112	106	111	114	-	109	106	102	110	109	106	110	109	106	107	106 ₃₁	107 ₄₂	107 ₃₆
BV	-22 ₄₁	.32 ₂₉	-2.3 ₇	4.4 ₅₂	8.4 ₃₈	7.9 ₂₉	24.4 ₃₁	41.1 ₃₁	-	8.2 ₃₅	2.9 ₃₇	3.2 ₃₆	-12.2 ₃₇	-4.1 ₂₇	In Vitro							
Breeder's Remarks: RUNNING WITH FF13-104/T17-86. RUNNING WITH TV15-548 TO 11/4/22																		Flushings/Embrios/Calves: 0/0/0 Tests: CA & TB Tested Vacc. -				

LOT 103

0603085, LEOPARD RIDGE CONSERVANCY CC, T/A DUN NGUNIS,P.O. BOX 7007, GRAHAMSTOWN,6148,(T)083-655 5597



Naam Ident. nommer Geslag Afdeling Reg. nommer Geboorte Datum

WATERHOEK DUN 200046 VROULIK B 0091122085 11-NOV-20

WATERHOEK DUN 200046 - B
0091122085 - 11-NOV-20
OEK - TKP -
Oud. / Kalwers 1j.5m. / 0
Gem SI/Kalf: / 0
Koei Doelt.: -
Koei/Speen Verh.: -%
KALWINGS -

TOVERVELD TV 150548 - SP
0082483868 -28-OCT-15- DNS: U473772



WATERHOEK LRC 180022 - A
0087677548 - 12-AUG-18
OEK 27 TKP -
Oud. / Kalwers 2j.2m. / 1
Koei Doelt. -
Koei/Speen Verh.: -%
Gem SI/Kalf: / 0

CLOTAN CSF 100082 - B
0071978886 -22-OCT-10- DNS: U175691

GELYKFORTEIN SW 100021 - B
0071430060 - 05-OCT-10
OEK 26 TKP 372
Oud. / Kalwers 10j.4m. / 9
Koei/Speen Verh.: -%
Koei Doelt. -
Gem SI/Kalf: 98 / 10

--- MS
0135431189- 01-JAN-40

SLAGBOOM WT 130117 - B
0078269370 - 09-AUG-13
OEK 35 TKP 622
Oud. / Kalwers 8j.0m. / 4
Koei Doelt. -
Koei/Speen Verh.: -%
Gem SI/Kalf: / 0

GELYKFORTEIN SW 020048 - B
0046984852- 10-NOV-02
COMPASSBERG KW 040038 - A
0049411739 - 01-DEC-04

GELYKFORTEIN SW 070233 - B
0064419211 -20-FEB-07- DNS: B1100098
- TOL050182 - A
0065301061 - 17-MAY-05

NTSIKIZI PH 080065 - SP
0066921917- 27-AUG-08- DNS: U162621

- WT 050082 - A
0064431521 - 15-OCT-05

Seleksie W.	KALF GEMAK		MELK	KALFGROEI	ONDERHOUD		GROEI TOETS					VRUGBAARHEID		KOEI WAAARDE	GROEI WAAARDE	PRODUKSIE WAAARDE		
	★★★	★★★	★★★	★★★	Tipe groeipunt					★★★								
	93 ₃₂	98 ₂₆	99 ₃₅	100 ₁₄	Geb gew	Geb Mat	Melk	Speen gew	Naspeen	Volw. gewig	GDT	Kleiber	VOV	Lengte	Hoogte	SO	OEK	TKP
TW Ind	92	105	98	99	98	98	99	99	-	104	104	97	84	99	94 ₂₀	96 ₂₇	94 ₂₄	
TW	.42 ₃₅	-.14 ₁₈	0 ₂₆	1.2 ₃₅	1.4 ₂₆	1.7 ₁₄	1.3 ₅	16.6 ₅	-	5.1 ₆	1.8 ₆	1.2 ₆	8 ₂₂	-1.8 ₁₃	In Vitro			
Telersopmerkings: RUNNING WITH FF13-104/T17-86. RUNNING WITH TV15-548 TO 11/4/22															Spoelings/Embrios/Kalwers: 0/0/0 Toetse: CA & TB Tested Inent. -			

LOT 104

0603085, LEOPARD RIDGE CONSERVANCY CC, T/A DUN NGUNIS,P.O. BOX 7007, GRAHAMSTOWN,6148,(T)083-655 5597



Name Ident. number Sex Section Reg. number Birth Date

WATERHOEK DUN 200053 FEMALE SP 0091122150 19-NOV-20

WATERHOEK DUN 200053 - SP
0091122150 - 19-NOV-20
AFC - ICP -
Age / Calves 1j.5m. / 0
Avg. WI/Calf: / 0
Cow Eff.: -
Cow/Wean Ratio: -%
CALVINGS -

GARIEP FB 110080 - SP
0074478652 -01-NOV-11- DNA: U261503



BABAZEKA RVS 160024 - B
0083934927 - 28-JUN-16

AFC 40 ICP 418
Age / Calves 5yr.7m. / 3
Cow Eff. -
Cow/Wean Ratio: -%
Avg. WI/Calf: / 0

GARIEP FB 060029 - SP
0062942289 -25-MAY-06- DNA: U235613

GARIEP FB 010059 - B
0045420650 - 02-NOV-01
AFC 32 ICP 395
Age / Calves 13yr.6m. / 11
Cow/Wean Ratio: -%
Cow Eff. -
Avg. WI/Calf: / 0

TALKING-HILL SY 020003 - A
0068252352- 15-OCT-02- DNA: U201173

BABAZEKA RVS 130042 - SP
0078321205 - 15-OCT-13
AFC 32 ICP 398
Age / Calves 8yr.1m. / 6
Cow Eff. 111
Cow/Wean Ratio: 44.76%
Avg. WI/Calf: 78 / 2

WALT GF 970056 - B
0039633979- 15-NOV-97- LID: X970004484
- TOL 020121 - B
0048628820 - 24-OCT-02

TAFELSIG CS 910004 - B
0023335649 -03-FEB-91- BLD: X5365
GARIEP FB 890170 - A
0039930151 - 01-JAN-89

CIRCLE A BN 090561 - B
0068165182- 24-MAR-09- DNA: U185458

CIRCLE A BN 110248 - SP
0072890478 - 11-APR-11

Selection V.	CALVING EASE		MILK	CALF GRWTH	MAINTENANCE		GROWTH TEST					FERTILITY			COW VALUE	GROWTH VALUE	PRODUCTION VALUE	
	★★★★	★★★	★★★	★★★	★★★★					★★★								
	113 ₄₅	86 ₃₅	92 ₃₉	110 ₂₂	Birth wght	Birth Mat	Milk	Wean wght	Post wean	Mature wght	ADG	Kleiber	FCR	Length	Height	SC	AFC	ICP
BV Ind	110	109	86	92	87	92	92	93	-	93	93	88	82	113	89 ₂₇	88 ₃₅	87 ₃₁	
BV	-5 ₄₇	-.25 ₃₃	-2.5 ₃₅	-1.2 ₃₉	-3.9 ₂₄	-3.3 ₂₂	-14.4 ₁₁	8.2 ₁₁	-	-2.6 ₁₂	-3 ₁₃	-1.9 ₁₃	9.6 ₄₁	-5.1 ₂₈	In Vitro			
Breeder's Remarks: RUNNING WITH FF13-104/T17-86. RUNNING WITH TV15-548 TO 11/4/22															Flushings/Embrios/Calves: 0/0/0 Tests: CA & TB Tested Vacc. -			

LOT 105

0603085, LEOPARD RIDGE CONSERVANCY CC, T/A DUN NGUNIS,P.O. BOX 7007, GRAHAMSTOWN,6148,(T)083-655 5597



Naam Ident. nommer Geslag Afdeling Reg. nommer Geboorte Datum

WATERHOEK DUN 200054 VROULIK SP 0091158568 23-NOV-20

DUN 200054

WATERHOEK DUN 200054 - SP

0091158568 - 23-NOV-20
 OEK - TKP -
 Oud. / Kalwers 1j.4m. / 0
 Gem SI/Kalf: / 0
 Koei Doelt.: -
 Koei/Speen Verh.: -%
 KALWINGS

TOVERVELD TV 150548 - SP
 0082483868 -28-OCT-15- DNS: U473772



GARIEP FB 170191 - B
 0086620457 - 09-DEC-17
 OEK 35 TKP 366
 Oud. / Kalwers 3j.11m. / 2
 Koei Doelt. -
 Koei/Speen Verh.: -%
 Gem SI/Kalf: / 0

CLOTAN CSF 100082 - B
 0071978886 -22-OCT-10- DNS: U175691

GELYKFORTEIN SW 100021 - B
 0071430060 - 05-OCT-10

OEK 26 TKP 372
 Oud. / Kalwers 10j.4m. / 9
 Koei/Speen Verh.: -%
 Koei Doelt. -
 Gem SI/Kalf: 98 / 10

SEDIBALETSA ISF 060022 - SP
 0064120652- 15-NOV-06- DNS: U115126

GARIEP FB 130100 - A
 0078867801 - 04-NOV-13

OEK 27 TKP 341
 Oud. / Kalwers 5j.11m. / 5
 Koei Doelt. -
 Koei/Speen Verh.: -%
 Gem SI/Kalf: / 0

GELYKFORTEIN SW 020048 - B

0046984852- 10-NOV-02
 COMPASSBERG KW 040038 - A
 0049411739 - 01-DEC-04

GELYKFORTEIN SW 070233 - B

0064419211 -20-FEB-07- DNS: B1100098
 -TOL050182 -A
 0065301061 - 17-MAY-05

BHETJANE FF 010136 - SP

0045377017 -13-OCT-01- DNS: X0000110589

SEDIBALETSA ISF 040012 - SP

0049403454 - 30-SEP-04

-ANS 021230 - FR

0070556550- 15-OCT-02- DNS: U156023

GARIEP FB 070111 - B

0065677221 - 13-NOV-07

Seleksie W.	KALF GEMAK		MELK	KALFGROEI	ONDERHOUD		GROEI TOETS					VRUGBAARHEID			KOEI WAARDE	GROEI WAARDE	PRODUKSIE WAARDE
	★★★	★★★	★★★	★★★	Tipe groeipunt					★★★							
	98 ₃₇	92 ₃₀	99 ₃₇	99 ₁₇	GDT	Kleiber	VOV	Langte	Hoogte	SO	OEK	TKP	108 ₃₀	★★★	★★★	★★★	
TW Ind	96	106	92	99	97	100	96	95	-	99	99	100	94	105	100 ₂₃	98 ₃₁	98 ₂₇
TW	.2 ₄₀	-.16 ₂₄	-1.3 ₃₀	1.4 ₃₇	1 ₂₇	2.9 ₁₇	-5.3 ₈	11 ₈	-	1.3 ₈	-3 ₉	2.4 ₉	.5 ₃₁	-3.2 ₁₉	In Vitro		
Telersopmerkings: RUNNING WITH FF13-104/T17-86. RUNNING WITH TV15-548 TO 11/4/22													Spoelings/Embrios/Kalwers: 0/0/0 Toetse: CA & TB Tested				
													Inent. -				

LOT 106

0603085, LEOPARD RIDGE CONSERVANCY CC, T/A DUN NGUNIS,P.O. BOX 7007, GRAHAMSTOWN,6148,(T)083-655 5597



Name Ident. number Sex Section Reg. number Birth Date

WATERHOEK DUN 200055 FEMALE SP 0091158576 23-NOV-20

DUN 200055

WATERHOEK DUN 200055 - SP

0091158576 - 23-NOV-20
 AFC - ICP -
 Age / Calves 1j.4m. / 0
 Avg. WI/Calf: / 0
 Cow Eff.: -
 Cow/Wean Ratio: -%
 CALVINGS

BHETJANE FF 130104 - SP
 0078886504 -08-NOV-13- DNA: U369376



BUSHKLOOF RV 160043 - SP
 0084004365 - 02-AUG-16

AFC 35 ICP 428
 Age / Calves 5yr.3m. / 3
 Cow Eff. -
 Cow/Wean Ratio: -%
 Avg. WI/Calf: / 0

BHETJANE FF 050023 - SP

0061992715 -25-SEP-05- DNA: U1386071

WALT GF 070097 - SP

0065235574 - 11-OCT-07

AFC 25 ICP 371
 Age / Calves 8yr.2m. / 7
 Cow/Wean Ratio: 52.33%
 Cow Eff. 107
 Avg. WI/Calf: 105 / 7

QHINA Q 100041 - B

0071287817- 30-JUL-10- DNA: U163973

BUSHKLOOF RV 140010 - SP

0079381257 - 24-MAR-14
 AFC 28 ICP -
 Age / Calves 2yr.4m. / 1
 Cow Eff. -
 Cow/Wean Ratio: -%
 Avg. WI/Calf: / 0

BHETJANE FF 970037 - SP

0038512471- 14-MAY-97- DNA: P680/05

BHETJANE FF 970004 - B

0038512141 - 08-APR-97

WALT GF 010147 - SP

0045464153 -22-NOV-01- DNA: U151449

WALT GF 060018 - SP

0062584776 - 18-FEB-06

KIRSTEN SK 060038 - B

0063569404 -09-OCT-06- DNA: U163969

QHINA Q 080003 - A

0065940538 - 24-JAN-08

SEDIBALETSA ISF 060022 - SP

0064120652- 15-NOV-06- DNA: U115126

BUSHKLOOF RV 030074 - SP

0049075401 - 19-NOV-03

Selection V.	CALVING EASE		MILK	CALF GRWTH	MAINTENANCE		GROWTH TEST					FERTILITY			COW VALUE	GROWTH VALUE	PRODUCTION VALUE	
	★★	★★	★★★	★★★★	★★	★★	Type					★★★	★★★	★★★				
	85 ₃₂	95 ₃₅	116 ₄₃	89 ₂₉	Birth wght	Birth Mat	Milk	Wean wght	Post wean	Mature wght	ADG	Kleiber	FCR	Length	Height	SC	AFC	ICP
BV Ind	87	94	95	116	115	109	113	116	-	109	107	107	109	112	107 ₂₈	111 ₃₇	109 ₃₂	
BV	.72 ₃₃	.18 ₂₈	-.7 ₃₅	7 ₄₃	9.8 ₃₀	10.5 ₂₉	28.5 ₃₁	44.1 ₃₁	-	8.2 ₃₅	3.2 ₃₆	5 ₃₆	-11.4 ₃₇	-4.8 ₂₄	In Vitro			
Breeder's Remarks: RUNNING WITH FF13-104/T17-86. RUNNING WITH TV15-548 TO 11/4/22													Flushings/Embrios/Calves: 0/0/0 Tests: CA & TB Tested					
													Vacc. -					

LOT 107

0603085, LEOPARD RIDGE CONSERVANCY CC, T/A DUN NGUNIS,P.O. BOX 7007, GRAHAMSTOWN,6148,(T)083-655 5597



Naam Ident. nommer Geslag Afdeling Reg. nommer Geboorte Datum
WATERHOEK DUN 200058 VROULIK SP 0091158592 24-NOV-20

WATERHOEK DUN 200058 - SP
 0091158592 - 24-NOV-20
 OEK - TKP -
 Oud. / Kalwers **1j.4m. / 0**
 Gem SI/Kalf: / 0
 Koei Doelt.: -
 Koei/Speen Verh.: -%
 KALWINGS -

BHETJANE FF 130104 - SP
 0078886504 -08-NOV-13- DNS: U369376



DU PLESSIS DPN 160007 - SP
 0082996554 - 21-JAN-16
 OEK **33** TKP **369**
 Oud. / Kalwers **5j.9m. / 4**
 Koei Doelt. -
 Koei/Speen Verh.: -%
 Gem SI/Kalf: / 0

BHETJANE FF 050023 - SP
 0061992715 -25-SEP-05- DNS: U1386071

WALT GF 070097 - SP
 0065235574 - 11-OCT-07

OEK **25** TKP **371**
 Oud. / Kalwers **8j.2m. / 7**
 Koei/Speen Verh.: **52.33%**
 Koei Doelt. **107**
 Gem SI/Kalf: **105 / 7**

INYUMBA IM 090446 - SP
 0069564284- 07-SEP-09- DNS: U186786

DU PLESSIS DPN 030129 - B
 0048034334 - 03-DEC-03

OEK **35** TKP **380**
 Oud. / Kalwers **13j.3m. / 11**
 Koei Doelt. -
 Koei/Speen Verh.: -%
 Gem SI/Kalf: / 0

BHETJANE FF 970037 - SP
 0038512471- 14-MAY-97- DNS: P680/05

BHETJANE FF 970004 - B
 0038512141 - 08-APR-97

WALT GF 010147 - SP
 0045464153 -22-NOV-01- DNS: U151449

WALT GF 060018 - SP
 0062584776 - 18-FEB-06

BHETJANE FF 030005 - B
 0047473202 -14-AUG-03- DNS: U160094

MTN 020558 - B
 0048628465 - 18-MAY-02

RODDA JR 950001 - B
 0033446014- 11-FEB-95- DNS: P2138/04

LERATO MAN 970060 - A
 0043469030 - 01-JAN-97

Seleksie W.	KALF GEMAK		MELK	KALFGROEI	ONDERHOUD		GROEI TOETS					VRUGBAARHEID			KOEI WAAARDE	GROEI WAAARDE	PRODUKSIE WAAARDE
	95 ²⁹	94 ³⁴	112 ⁴¹	94 ²⁸	Tipe groeipunt					103 ³⁵							
TW Ind	Geb gew	Geb Mat	Melk	Speen gew	Naspeen	Volw. gewig	GDT	Kleiber	VOV	Langte	Hoogte	SO	OEK	TKP	101 ²⁸	108 ³⁶	104 ³²
TW	.23 ²⁹	.1 ²⁷	-7.34	5.7 ⁴¹	8.6 ²⁶	6.4 ²⁸	34.5 ³²	47.5 ³²	-	12.9 ³⁶	7.5 ³⁸	4.9 ³⁷	97	100	In Vitro		
Telersopmerkings: RUNNING WITH FF13-104/T17-86. RUNNING WITH TV15-548 TO 11/4/22														Spoelings/Embrios/Kalwers: 0/0/0 Toetse: CA & TB Tested Inent. -			

LOT 108

0603085, LEOPARD RIDGE CONSERVANCY CC, T/A DUN NGUNIS,P.O. BOX 7007, GRAHAMSTOWN,6148,(T)083-655 5597



Name Ident. number Sex Section Reg. number Birth Date
WATERHOEK DUN 200068 FEMALE B 0093349900 28-DEC-20

WATERHOEK DUN 200068 - B
 0093349900 - 28-DEC-20
 AFC - ICP -
 Age / Calves **1j.3m. / 0**
 Avg. WI/Calf: / 0
 Cow Eff.: -
 Cow/Wean Ratio: -%
 CALVINGS -

GARIEP FB 110080 - SP
 0074478652 -01-NOV-11- DNA: U261503



KRAGGA KAMMA DS 160001 - A
 0084282862 - 11-APR-16

AFC **39** ICP **453**
 Age / Calves **5yr.8m. / 3**
 Cow Eff. -
 Cow/Wean Ratio: -%
 Avg. WI/Calf: / 0

GARIEP FB 060029 - SP
 0062942289 -25-MAY-06- DNA: U235613

GARIEP FB 010059 - B
 0045420650 - 02-NOV-01

AFC **32** ICP **395**
 Age / Calves **13yr.6m. / 11**
 Cow/Wean Ratio: -%
 Cow Eff. -
 Avg. WI/Calf: / 0

MS
 0135431189- 01-JAN-40

QUAGGA FLATS GL 080061 - SP
 0067426791 - 09-NOV-08

AFC **35** ICP **398**
 Age / Calves **8yr.4m. / 6**
 Cow Eff. **115**
 Cow/Wean Ratio: **59.94%**
 Avg. WI/Calf: **115 / 3**

WALT GF 970056 - B
 0039633979- 15-NOV-97- LID: X970004484

TOL 020121 - B
 0048628820 - 24-OCT-02

TAFELSIG CS 910004 - B
 0023335649 -03-FEB-91- BLD: X5365

GARIEP FB 890170 - A
 0039930151 - 01-JAN-89

QUAGGA FLATS GL 040052 - SP
 0048987366- 04-JUL-04

QUAGGA FLATS GL 040081 - B
 0049382419 - 04-OCT-04

Selection V.	CALVING EASE		MILK	CALF GRWTH	MAINTENANCE		GROWTH TEST					FERTILITY			COW VALUE	GROWTH VALUE	PRODUCTION VALUE
	100 ⁴¹	94 ³⁴	97 ³⁷	101 ²²	Type					103 ³⁶							
BV Ind	Birth wght	Birth Mat	Milk	Wean wght	Post wean	Mature wght	ADG	Kleiber	FCR	Length	Height	SC	AFC	ICP	97 ²⁷	96 ³⁴	96 ³⁰
BV	.17 ⁴³	-.29 ³¹	-7.34	.6 ³⁷	-5.24	1.2 ²²	-9.9	16.9	-	3.1	9	-3.10	91	85	121	In Vitro	
Breeder's Remarks: RUNNING WITH FF13-104/T17-86. RUNNING WITH TV15-548 TO 11/4/22														Flushings/Embrios/Calves: 0/0/0 Tests: CA & TB Tested Vacc. -			

LOT 109

0603085, LEOPARD RIDGE CONSERVANCY CC, T/A DUN NGUNIS,P.O. BOX 7007, GRAHAMSTOWN,6148,(T)083-655 5597



Naam Ident. nommer Geslag Afdeling Reg. nommer Geboorte Datum

WATERHOEK DUN 200008 VROULIK B 0090578337 20-MAY-20

DUN 200008

WATERHOEK DUN 200008 - B

0090578337 - 20-MAY-20

OEK - TKP -
Oud. / Kalwers 1j.11m. / 0
Gem SI/Kalf: / 0
Koei Doelt.: -
Koei/Speen Verh.: -%
KALWINGS -

BHETJANE FF 130104 - SP
0078886504 -08-NOV-13- DNS: U369376



BUSHKLOOF RV 100052 - A
0072129638 - 08-DEC-10

OEK 30 TKP 362
Oud. / Kalwers 10j.5m. / 9
Koei Doelt. -
Koei/Speen Verh.: -%
Gem SI/Kalf: / 0

BHETJANE FF 050023 - SP
0061992715 -25-SEP-05- DNS: U1386071

WALT GF 070097 - SP
0065235574 - 11-OCT-07

OEK 25 TKP 371
Oud. / Kalwers 8j.2m. / 7
Koei/Speen Verh.: 52.33%
Koei Doelt. 107
Gem SI/Kalf: 105 / 7

BUSHKLOOF RV 030099 - A
0062605910- 15-OCT-03- DNS: U0000138524

BUSHKLOOF RV 050065 - FR
0064405400 - 15-OCT-05

OEK - TKP 393
Oud. / Kalwers 11j.8m. / 9
Koei Doelt. -
Koei/Speen Verh.: -%
Gem SI/Kalf: / 0

BHETJANE FF 970037 - SP
0038512471- 14-MAY-97- DNS: P680/05

BHETJANE FF 970004 - B
0038512141 - 08-APR-97

WALT GF 010147 - SP
0045464153 -22-NOV-01- DNS: U151449

WALT GF 060018 - SP
0062584776 - 18-FEB-06

Seleksie W.	KALF GEMAK		MELK	KALFGROEI	ONDERHOUD		GROEI TOETS					VRUGBAARHEID			KOEI WAARDE	GROEI WAARDE	PRODUKSIE WAARDE
	★ ★	★ ★ ★	★ ★ ★ ★	★ ★ ★	Tipe groeipunt					★ ★ ★							
	89 ₄₁	91 ₃₃	118 ₄₂	90 ₂₇	GDT	Kleiber	VOV	Langte	Hoogte	SO	OEK	TKP	99 ₂₈	108 ₃₇	104 ₃₂		
TW Ind	91	91	118	117	109	114	116	-	115	112	105	105	109	99 ₂₈	108 ₃₇	104 ₃₂	
TW	.48 ₄₃	.25 ₃₀	-1.4 ₃₃	7.5 ₄₂	10.6 ₂₈	10.2 ₂₇	31.3 ₃₁	43.7 ₃₁	-	12.2 ₃₅	5.6 ₃₇	4.3 ₃₆	-8.2 ₃₅	-4 ₂₄	In Vitro		
Telersopmerkings: RUNNING WITH FF13-104/T17-86													Spoelings/Embrios/Kalwers: 0/0/0 Toetse: CA & TB Tested				
													Inent. -				

LOT 110

0603085, LEOPARD RIDGE CONSERVANCY CC, T/A DUN NGUNIS,P.O. BOX 7007, GRAHAMSTOWN,6148,(T)083-655 5597



Name Ident. number Sex Section Reg. number Birth Date

WATERHOEK DUN 210010 FEMALE SP 0091666735 22-FEB-21

DUN 210010

WATERHOEK DUN 210010 - SP

0091666735 - 22-FEB-21

AFC - ICP -
Age / Calves 1j.2m. / 0
Avg. WI/Calf: / 0
Cow Eff.: -
Cow/Wean Ratio: -%
CALVINGS -

BHETJANE FF 130104 - SP
0078886504 -08-NOV-13- DNA: U369376



HERONCLIFF HC 100059 - B
0071707632 - 15-OCT-10

AFC 35 ICP 454
Age / Calves 10yr.4m. / 7
Cow Eff. -
Cow/Wean Ratio: -%
Avg. WI/Calf: / 0

BHETJANE FF 050023 - SP
0061992715 -25-SEP-05- DNA: U1386071

WALT GF 070097 - SP
0065235574 - 11-OCT-07

AFC 25 ICP 371
Age / Calves 8yr.2m. / 7
Cow/Wean Ratio: 52.33%
Cow Eff. 107
Avg. WI/Calf: 105 / 7

SNYBERG SB 040117 - A
0063393367- 15-OCT-04- DNA: U176010

HERONCLIFF HC 070019 - SP
0065209199 - 13-AUG-07

AFC 38 ICP 514
Age / Calves 7yr.4m. / 4
Cow Eff. -
Cow/Wean Ratio: -%
Avg. WI/Calf: / 0

BHETJANE FF 970037 - SP
0038512471- 14-MAY-97- DNA: P680/05

BHETJANE FF 970004 - B
0038512141 - 08-APR-97

WALT GF 010147 - SP
0045464153 -22-NOV-01- DNA: U151449

WALT GF 060018 - SP
0062584776 - 18-FEB-06

- H930143 - A
0044800837 -08-MAY-93- DNA: P3227/02

SNYBERG SB 990033 - B
0043220086- 11-JUL-99- DNA: U176011

SNYBERG SB 030034 - B
0048033443 - 10-OCT-03

Selection V.	CALVING EASE		MILK	CALF GRWTH	MAINTENANCE		GROWTH TEST					FERTILITY			COW VALUE	GROWTH VALUE	PRODUCTION VALUE					
	★ ★ ★	★ ★ ★	★ ★ ★ ★	★ ★ ★	Type					★ ★ ★												
	93 ₃₂	94 ₃₃	117 ₃₉	91 ₂₈	Birth wght	Birth Mat	Milk	Wean wght	Post wean	Mature wght	ADG	Kleiber	FCR	Length	Height	SC	AFC	ICP	96 ₃₈	95 ₂₈	106 ₃₆	100 ₃₂
BV Ind	95	91	94	117	117	108	118	120	-	117	114	107	93	100	95 ₂₈	106 ₃₆	100 ₃₂					
BV	.29 ₃₃	.25 ₂₈	-.8 ₃₃	7.3 ₃₉	10.6 ₂₆	9.5 ₂₈	38.2 ₃₂	49.9 ₃₂	-	13.7 ₃₆	6.4 ₃₇	5.1 ₃₇	.9 ₄₁	-2 ₂₇	In Vitro							
Breeder's Remarks: RUNNING WITH FF13-104/T17-86. RUNNING WITH TV15-548 TO 11/4/22													Flushings/Embrios/Calves: 0/0/0 Tests: CA & TB Tested									
													Vacc. -									

LOT 111

0603085, LEOPARD RIDGE CONSERVANCY CC, T/A DUN NGUNIS,P.O. BOX 7007, GRAHAMSTOWN,6148,(T)083-655 5597



Naam Ident. nommer Geslag Afdeling Reg. nommer Geboorte Datum

WATERHOEK DUN 210019 VROULIK SP 0092035385 25-MAY-21

WATERHOEK DUN 210019

WATERHOEK DUN 210019 - SP
0092035385 - 25-MAY-21

OEK - TKP -
Oud. / Kalwers **0j.10m. / 0**
Gem SI/Kalf: / 0
Koei Doelt.: -
Koei/Speen Verh.: -%
KALWINGS

GARIEP FB 110080 - SP
0074478652 -01-NOV-11- DNS: U261503



BONTVOET NN 160004 - SP
0083375295 - 26-MAR-16

OEK **31** TKP **477**
Oud. / Kalwers **5j.1m. / 3**
Koei Doelt. -
Koei/Speen Verh.: -%
Gem SI/Kalf: / 0

GARIEP FB 060029 - SP
0062942289 -25-MAY-06- DNS: U235613

GARIEP FB 010059 - B
0045420650 - 02-NOV-01

OEK **32** TKP **395**
Oud. / Kalwers **13j.6m. / 11**
Koei/Speen Verh.: -%
Koei Doelt. -
Gem SI/Kalf: / 0

BHETJANE FF 100242 - SP
0072002868 - 22-OCT-10- DNS: U275885

ANDRICAS PB 050025 - SP
0061718623 - 25-OCT-05

OEK **26** TKP **368**
Oud. / Kalwers **12j.2m. / 11**
Koei Doelt. -
Koei/Speen Verh.: -%
Gem SI/Kalf: **105 / 1**

WALT GF 970056 - B
0039633979- 15-NOV-97- LID: X970004484
- TOL 020121 - B
0048628820 - 24-OCT-02

TAFELSIG CS 910004 - B
0023335649 -03-FEB-91- BLD: X5365

GARIEP FB 890170 - A
0039930151 - 01-JAN-89

MODJADJI LEB 000115 - B
0044585099 -12-OCT-00

BHETJANE FF 030163 - SP
0048056881 - 17-DEC-03

GELYK FONTEIN SW 960501 - B
0040517419- 29-SEP-96

KGWAADI NZR 940029 - B
0032843815 - 25-NOV-94

Seleksie W.	KALF GEMAK		MELK	KALFGROEI	ONDERHOUD		GROEI TOETS					VRUGBAARHEID			KOEI WAARDE	GROEI WAARDE	PRODUKSIE WAARDE
	107 ³⁵	85 ³⁵	93 ³⁹	111 ²³	Tipe groeipunt					98 ³⁹							
TW Ind	Geb gew	Geb Mat	Melk	Speen gew	Naspeen	Volw. gewig	GDT	Kleiber	VOV	Lengte	Hoogte	SO	OEK	TKP	92 ²⁸	91 ³⁶	90 ³²
TW	-13 ³⁶	-49 ³⁰	-2.8 ³⁵	-7 ³⁹	-3 ²⁶	-3.6 ²³	-15.9 ¹⁸	7.7 ¹⁸	-	-5.1 ²⁰	-5.8 ²¹	.8 ²¹	5.4 ⁴⁴	-5.3 ²⁸	In Vitro		
Tellersopmerkings: RUNNING WITH TV15-548														Spoelings/Embrios/Kalwers: 0/0/0 Toetse: CA & TB Tested Inent. -			

LOT 112

0603085, LEOPARD RIDGE CONSERVANCY CC, T/A DUN NGUNIS,P.O. BOX 7007, GRAHAMSTOWN,6148,(T)083-655 5597



Name Ident. number Sex Section Reg. number Birth Date

WATERHOEK DUN 210022 FEMALE SP 0092140052 03-JUL-21

WATERHOEK DUN 210022

WATERHOEK DUN 210022 - SP
0092140052 - 03-JUL-21

AFC - ICP -
Age / Calves **0j.9m. / 0**
Avg. WI/Calf: / 0
Cow Eff.: -
Cow/Wean Ratio: -%
CALVINGS

GARIEP FB 110080 - SP
0074478652 -01-NOV-11- DNA: U261503



ROUS HW 150062 - SP
0082667262 - 08-OCT-15

AFC **25** ICP **439**
Age / Calves **5yr.8m. / 4**
Cow Eff. **76**
Cow/Wean Ratio: **37.82%**
Avg. WI/Calf: / 0

GARIEP FB 060029 - SP
0062942289 -25-MAY-06- DNA: U235613

GARIEP FB 010059 - B
0045420650 - 02-NOV-01

AFC **32** ICP **395**
Age / Calves **13yr.6m. / 11**
Cow/Wean Ratio: -%
Cow Eff. -
Avg. WI/Calf: / 0

ROUS HW 100585 - SP
0071963169- 18-NOV-10- DNA: U161535

ROUS HW 050012 - B
0061873634 - 14-OCT-05

AFC **24** ICP **368**
Age / Calves **12yr.0m. / 11**
Cow Eff. -
Cow/Wean Ratio: -%
Avg. WI/Calf: **91 / 1**

WALT GF 970056 - B
0039633979- 15-NOV-97- LID: X970004484
- TOL 020121 - B
0048628820 - 24-OCT-02

TAFELSIG CS 910004 - B
0023335649 -03-FEB-91- BLD: X5365

GARIEP FB 890170 - A
0039930151 - 01-JAN-89

ROUS HW 040398 - SP
0049846090 -30-DEC-04- DNA: U161534

ROUS HW 000011 - B
0043886241 - 29-AUG-00

ROUS HW 000040 - A
0044328144- 14-NOV-00

ROUS HW 010114 - SP
0045798337 - 16-OCT-01

Selection V.	CALVING EASE		MILK	CALF GRWTH	MAINTENANCE		GROWTH TEST					FERTILITY			COW VALUE	GROWTH VALUE	PRODUCTION VALUE
	112 ⁴⁶	78 ³³	85 ⁴⁴	121 ²⁰	Type					107 ⁴⁰							
BV Ind	Birth wght	Birth Mat	Milk	Wean wght	Post wean	Mature wght	ADG	Kleiber	FCR	Length	Height	SC	AFC	ICP	99 ²⁹	93 ³⁸	95 ³⁴
BV	-33 ⁴⁷	-68 ³⁸	-4.1 ³³	-3.5 ⁴⁴	-7.2 ²³	-12.8 ²⁰	-	-	-	83	84	79	92	123	In Vitro		
Breeder's Remarks: RUNNING WITH TV15-548														Flushings/Embrios/Calves: 0/0/0 Tests: CA & TB Tested Vacc. -			

LOT 113

0603085, LEOPARD RIDGE CONSERVANCY CC, T/A DUN NGUNIS,P.O. BOX 7007, GRAHAMSTOWN,6148,(T)083-655 5597



Naam Ident. nommer Geslag Afdeling Reg. nommer Geboorte Datum
WATERHOEK DUN 210026 **DUN 210026** **VROULIK SP** **0092140094** **19-JUL-21**

WATERHOEK DUN 210026 - SP
 0092140094 - 19-JUL-21
 OEK - TKP -
 Oud. / Kalwers **0j.9m. / 0**
 Gem SI/Kalf: / 0
 Koei Doelt.: -
 Koei/Speen Verh.: -%
 KALWINGS

GARIEP FB 110080 - SP
 0074478652 -01-NOV-11- DNS: U261503



QUAGGA FLATS GL 150015 - SP
 0082746165 - 29-SEP-15
 OEK **37** TKP **492**
 Oud. / Kalwers **5j.9m. / 3**
 Koei Doelt. -
 Koei/Speen Verh.: -%
 Gem SI/Kalf: / 0

GARIEP FB 060029 - SP
 0062942289 -25-MAY-06- DNS: U235613

GARIEP FB 010059 - B
 0045420650 - 02-NOV-01
 OEK **32** TKP **395**
 Oud. / Kalwers **13j.6m. / 11**
 Koei/Speen Verh.: -%
 Koei Doelt. -
 Gem SI/Kalf: / 0

QUAGGA FLATS GL 110053 - SP
 0074466939 - 24-OCT-11- DNS: U272577

QUAGGA FLATS GL 120043 - SP
 0075785931 - 05-OCT-12
 OEK **36** TKP **391**
 Oud. / Kalwers **5j.1m. / 3**
 Koei Doelt. **95**
 Koei/Speen Verh.: **42.02%**
 Gem SI/Kalf: / 0

WALT GF 970056 - B
 0039633979- 15-NOV-97- LID: X970004484
 - TOL 020121 - B
 0048628820 - 24-OCT-02

TAFELSIG CS 910004 - B
 0023335649 -03-FEB-91- BLD: X5365

GARIEP FB 890170 - A
 0039930151 - 01-JAN-89

KLIPKRANTZ AP 070002 - B
 0065207821 -10-OCT-07- DNS: U177966

QUAGGA FLATS GL 090027 - SP
 0068077445 - 24-FEB-09

QUAGGA FLATS GL 070084 - SP
 0065561029- 23-NOV-07- DNS: U177967

QUAGGA FLATS GL 070118 - SP
 0065561342 - 13-DEC-07

Seleksie W.	KALF GEMAK		MELK	KALFGROEI	ONDERHOUD		GROEI TOETS					VRUGBAARHEID			KOEI WAARDE	GROEI WAARDE	PRODUKSIE WAARDE	
	★★★★	★★★★	★★	★★★	★★★★	★★★★	Tipe groeipunt					★★★★	★★★★	★★★★				
	110 ₄₅	88 ₃₂	93 ₄₀	118 ₂₀	Geb gew	Geb Mat	Melk	Speen gew	Naspeen	Volw. gewig	GDT	Kleiber	VOV	Lengte	Hoogte	SO	OEK	TKP
TW Ind	106	114	88	93	89	84	-	-	-	-	-	-	-	92	90	84	104	119
TW	-3 ₄₈	-38 ₃₁	-2 ₃₂	-7 ₄₀	-2.9 ₂₃	-10 ₂₀	-	-	-	-	-	-	-	-3.3 ₅	-4.4 ₆	-3.5 ₆	-7.3 ₄₅	-6.3 ₂₈
Telersopmerkings: RUNNING WITH TV15-548																	Spoelings/Embrios/Kalwers: 0/0/0 Toetse: CA & TB Tested	
Inent. -																		

LOT 114

0603085, LEOPARD RIDGE CONSERVANCY CC, T/A DUN NGUNIS,P.O. BOX 7007, GRAHAMSTOWN,6148,(T)083-655 5597



Name Ident. number Sex Section Reg. number Birth Date
WATERHOEK DUN 210027 **DUN 210027** **FEMALE SP** **0092370451** **10-AUG-21**

WATERHOEK DUN 210027 - SP
 0092370451 - 10-AUG-21
 AFC - ICP -
 Age / Calves **0j.8m. / 0**
 Avg. WI/Calf: / 0
 Cow Eff.: -
 Cow/Wean Ratio: -%
 CALVINGS

BHETJANE FF 130104 - SP
 0078886504 -08-NOV-13- DNA: U369376



BUSHKLOOF RV 170025 - SP
 0085600898 - 19-JUN-17

AFC **32** ICP **527**
 Age / Calves **4yr.1m. / 2**
 Cow Eff. -
 Cow/Wean Ratio: -%
 Avg. WI/Calf: / 0

BHETJANE FF 050023 - SP
 0061992715 -25-SEP-05- DNA: U1386071

WALT GF 070097 - SP
 0065235574 - 11-OCT-07
 AFC **25** ICP **371**
 Age / Calves **8yr.2m. / 7**
 Cow/Wean Ratio: **52.33%**
 Cow Eff. **107**
 Avg. WI/Calf: **105 / 7**

NANDI T 060253 - SP
 0063886469- 18-NOV-06- DNA: X0000109908

BUSHKLOOF RV 100001 - B
 0070074299 - 02-JAN-10
 AFC **32** ICP **439**
 Age / Calves **7yr.5m. / 5**
 Cow Eff. -
 Cow/Wean Ratio: -%
 Avg. WI/Calf: / 0

BHETJANE FF 970037 - SP
 0038512471- 14-MAY-97- DNA: P680/05

BHETJANE FF 970004 - B
 0038512141 - 08-APR-97

WALT GF 010147 - SP
 0045464153 -22-NOV-01- DNA: U151449

WALT GF 060018 - SP
 0062584776 - 18-FEB-06

NANDI T 980148 - SP
 0040900276 -02-OCT-98- DNA: U157361

MODJADJI LEB 010515 - B
 0044740900 - 01-MAY-01

SEDIBALETSA ISF 060022 - SP
 0064120652- 15-NOV-06- DNA: U115126

BUSHKLOOF RV 070028 - A
 0064627573 - 16-JUN-07

Selection V.	CALVING EASE		MILK	CALF GRWTH	MAINTENANCE		GROWTH TEST					FERTILITY			COW VALUE	GROWTH VALUE	PRODUCTION VALUE	
	★★★★	★★★★	★★★★	★★★★	★★	Type					★★★★	★★★★	★★★★					
	94 ₃₁	101 ₃₅	112 ₄₂	87 ₂₈	Birth wght	Birth Mat	Milk	Wean wght	Post wean	Mature wght	ADG	Kleiber	FCR	Length	Height	SC	AFC	ICP
BV Ind	95	94	101	112	113	112	118	121	-	112	108	111	96	106	101 ₂₈	104 ₃₇	103 ₃₂	
BV	.27 ₃₂	.16 ₂₇	.6 ₃₅	5.6 ₄₂	8.8 ₂₆	12.2 ₂₈	38.8 ₃₂	51.7 ₃₂	-	10.7 ₃₅	3.7 ₃₇	6.5 ₃₆	-1.5 ₃₈	-3.5 ₂₇	In Vitro			
Breeder's Remarks: RUNNING WITH TV15-548																	Flushings/Embrios/Calves: 0/0/0 Tests: CA & TB Tested	
Vacc. -																		

LOT 115

0603085, LEOPARD RIDGE CONSERVANCY CC, T/A DUN NGUNIS,P.O. BOX 7007, GRAHAMSTOWN,6148,(T)083-655 5597



Naam Ident. nommer Geslag Afdeling Reg. nommer Geboorte Datum

WATERHOEK DUN 210028 VROULIK SP 0092370469 10-AUG-21

DUN 210028

WATERHOEK DUN 210028 - SP
0092370469 - 10-AUG-21

OEK - TKP -
Oud. / Kalwers **0j.8m. / 0**
Gem SI/Kalf: **/ 0**
Koei Doelt.: -
Koei/Speen Verh.: **-%**
KALWINGS
-

BHETJANE FF 130104 - SP
0078886504 -08-NOV-13- DNS: U369376



LEROYENDALL RY 060005 - B
0062712468 - 15-MAR-06

OEK **32** TKP **387**
Oud. / Kalwers **15j.4m. / 13**
Koei Doelt. -
Koei/Speen Verh.: **-%**
Gem SI/Kalf: **89 / 4**

BHETJANE FF 050023 - SP
0061992715 -25-SEP-05- DNS: U1386071

WALT GF 070097 - SP
0065235574 - 11-OCT-07

OEK **25** TKP **371**
Oud. / Kalwers **8j.2m. / 7**
Koei/Speen Verh.: **52.33%**
Koei Doelt. **107**
Gem SI/Kalf: **105 / 7**

ELTEE LT 990006 - SP
0044515641 - 21-NOV-99

LEROYENDALL RY 020084 - A
0061877999 - 15-OCT-02

OEK - TKP -
Oud. / Kalwers **3j.5m. / 1**
Koei Doelt. -
Koei/Speen Verh.: **-%**
Gem SI/Kalf: **/ 0**

BHETJANE FF 970037 - SP
0038512471- 14-MAY-97- DNS: P680/05
BHETJANE FF 970004 - B
0038512141 - 08-APR-97

WALT GF 010147 - SP
0045464153 -22-NOV-01- DNS: U151449

WALT GF 060018 - SP
0062584776 - 18-FEB-06

MORGAN AZ 960096 - B
0038166179 -08-NOV-96

MORGAN AZ 960122 - SP
0038166369 - 20-NOV-96

Seleksie W.	KALF GEMAK		MELK	KALFGROEI	ONDERHOUD		GROEI TOETS					VRUGBAARHEID			KOEI WAAARDE	GROEI WAAARDE	PRODUKSIE WAAARDE
	☆☆☆		☆☆	☆☆☆☆	☆☆☆		Tipe groeipunt					☆☆☆					
	98 ₄₀		84 ₄₈	112 ₄₉	94 ₃₆		GDT	Kleiber	VOV	Langte	Hoogte	SO	OEK	TKP	109 ₃₉		
TW Ind	98	98	84	112	111	105	110	114	-	107	107	102	109	112	102 ₃₄	105 ₄₄	103 ₃₉
TW	.13 ₄₀	.05 ₄₂	-3 ₄₈	5.5 ₄₉	7.6 ₃₀	6.8 ₃₆	22.1 ₃₂	40.3 ₃₂	-	7.1 ₃₅	3.5 ₃₇	3.1 ₃₆	-11.7 ₄₂	-4.7 ₂₇	In Vitro		
Telersopmerkings: RUNNING WITH TV15-548														Spoelings/Embrios/Kalwers: 0/0/0 Toetse: CA & TB Tested Inent. -			

LOT 116

0603085, LEOPARD RIDGE CONSERVANCY CC, T/A DUN NGUNIS,P.O. BOX 7007, GRAHAMSTOWN,6148,(T)083-655 5597



Name Ident. number Sex Section Reg. number Birth Date

WATERHOEK DUN 210030 FEMALE SP 0092370477 14-AUG-21

DUN 210030

WATERHOEK DUN 210030 - SP
0092370477 - 14-AUG-21

AFC - ICP -
Age / Calves **0j.8m. / 0**
Avg. WI/Calf: **/ 0**
Cow Eff.: -
Cow/Wean Ratio: **-%**
CALVINGS
-

BHETJANE FF 130104 - SP
0078886504 -08-NOV-13- DNA: U369376



LEROYENDALL RY 110001 - SP
0073737009 - 28-JUL-11

AFC **36** ICP **367**
Age / Calves **10yr.0m. / 8**
Cow Eff. **92**
Cow/Wean Ratio: **45.31%**
Avg. WI/Calf: **/ 0**

BHETJANE FF 050023 - SP
0061992715 -25-SEP-05- DNA: U1386071

WALT GF 070097 - SP
0065235574 - 11-OCT-07

AFC **25** ICP **371**
Age / Calves **8yr.2m. / 7**
Cow/Wean Ratio: **52.33%**
Cow Eff. **107**
Avg. WI/Calf: **105 / 7**

LEROYENDALL RY 060215 - B
0063035273- 27-AUG-06- DNA: P812/07

LEROYENDALL RY 080048 - SP
0067446039 - 20-NOV-08

AFC **32** ICP **506**
Age / Calves **12yr.4m. / 8**
Cow Eff. **114**
Cow/Wean Ratio: **50%**
Avg. WI/Calf: **87 / 1**

BHETJANE FF 970037 - SP
0038512471- 14-MAY-97- DNA: P680/05
BHETJANE FF 970004 - B
0038512141 - 08-APR-97

WALT GF 010147 - SP
0045464153 -22-NOV-01- DNA: U151449

WALT GF 060018 - SP
0062584776 - 18-FEB-06

JS94266 - SP
0046446126 -04-NOV-94- DNA: P3254/03

ELTEE LT 030023 - A
0048126429 - 27-OCT-03

RODS WRA 050019 - SP
0061089884- 04-FEB-05

LEROYENDALL RY 060005 - B
0062712468 - 15-MAR-06

Selection V.	CALVING EASE		MILK	CALF GRWTH	MAINTENANCE		GROWTH TEST					FERTILITY			COW VALUE	GROWTH VALUE	PRODUCTION VALUE
	☆☆☆		☆☆☆	☆☆☆	☆☆☆		Type					☆☆☆☆					
	103 ₃₉		97 ₃₇	108 ₅₂	92 ₂₉		ADG	Kleiber	FCR	Length	Height	SC	AFC	ICP	111 ₃₇		
BV Ind	105	89	97	108	112	106	111	114	-	109	106	102	110	109	106 ₃₁	107 ₄₂	107 ₃₆
BV	-22 ₄₁	.32 ₂₉	-2 ₃₇	4.4 ₅₂	8.4 ₃₈	7.9 ₂₉	24.4 ₃₁	41.1 ₃₁	-	8.2 ₃₅	2.9 ₃₇	3.2 ₃₆	-12.2 ₃₇	-4.1 ₂₇	In Vitro		
Breeder's Remarks: RUNNING WITH TV15-548														Flushings/Embrios/Calves: 0/0/0 Tests: CA & TB Tested Vacc. -			

LOT 117

0603085, LEOPARD RIDGE CONSERVANCY CC, T/A DUN NGUNIS,P.O. BOX 7007, GRAHAMSTOWN,6148,(T)083-655 5597



Naam Ident. nommer Geslag Afdeling Reg. nommer Geboorte Datum

WATERHOEK DUN 210031 VROULIK B 0092370485 20-AUG-21

DUN 210031

WATERHOEK DUN 210031 - B

0092370485 - 20-AUG-21

OEK - TKP -
Oud. / Kalwers **0j.8m. / 0**
Gem SI/Kalf: **/ 0**
Koei Doelt.: -
Koei/Speen Verh.: **-%**
KALWINGS
-

BHETJANE FF 130104 - SP
0078886504 -08-NOV-13- DNS: U369376



MAK MAK 090350 - A
0069321644 - 08-OCT-09
OEK **33** TKP **417**
Oud. / Kalwers **11j.10m. / 9**
Koei Doelt. -
Koei/Speen Verh.: **-%**
Gem SI/Kalf: **/ 0**

BHETJANE FF 050023 - SP
0061992715 -25-SEP-05- DNS: U1386071

WALT GF 070097 - SP
0065235574 - 11-OCT-07
OEK **25** TKP **371**
Oud. / Kalwers **8j.2m. / 7**
Koei/Speen Verh.: **52.33%**
Koei Doelt. **107**
Gem SI/Kalf: **105 / 7**

- MAK 030188 - FR
0066341447- 15-OCT-03- DNS: U97205

- MAK 010066 - A
0066341744 - 15-OCT-01
OEK - TKP **353**
Oud. / Kalwers **12j.10m. / 7**
Koei Doelt. -
Koei/Speen Verh.: **-%**
Gem SI/Kalf: **/ 0**

BHETJANE FF 970037 - SP
0038512471- 14-MAY-97- DNS: P680/05
BHETJANE FF 970004 - B
0038512141 - 08-APR-97

WALT GF 010147 - SP
0045464153 -22-NOV-01- DNS: U151449

WALT GF 060018 - SP
0062584776 - 18-FEB-06

Seleksie W.	KALF GEMAK		MELK	KALFGROEI	ONDERHOUD		GROEI TOETS					VRUGBAARHEID			KOEI WAARDE	GROEI WAARDE	PRODUKSIE WAARDE
	★★★	★★★	★★★	★★★★	★★	Tipe groeipunt					★★★						
	92 ₂₈	92 ₂₈	97 ₃₄	114 ₄₀	87 ₂₇	GDT	Kleiber	VOV	Langte	Hoogte	SO	OEK	TKP	★★★	★★★	★★★	
TW Ind	93	95	97	114	114	113	116	118	-	116	114	107	97	103	96 ₂₇	102 ₃₅	99 ₃₁
TW	.4 ₂₈	.14 ₂₆	-.2 ₃₄	6.5 ₄₀	9.3 ₂₅	13.2 ₂₇	35.5 ₃₁	46.7 ₃₁	-	13.5 ₃₅	6.3 ₃₇	4.9 ₃₆	-2.1 ₃₅	-2.8 ₂₃	In Vitro		
Tellersopmerkings: RUNNING WITH TV15-548														Spoelings/Embrios/Kalwers: 0/0/0 Toetse: CA & TB Tested Inent. -			

LOT 118

0603085, LEOPARD RIDGE CONSERVANCY CC, T/A DUN NGUNIS,P.O. BOX 7007, GRAHAMSTOWN,6148,(T)083-655 5597



Name Ident. number Sex Section Reg. number Birth Date

WATERHOEK DUN 210049 FEMALE SP 0093001097 22-OCT-21

DUN 210049

WATERHOEK DUN 210049 - SP

0093001097 - 22-OCT-21

AFC - ICP -
Age / Calves **0j.6m. / 0**
Avg. WI/Calf: **/ 0**
Cow Eff.: -
Cow/Wean Ratio: **-%**
CALVINGS
-

BHETJANE FF 130104 - SP
0078886504 -08-NOV-13- DNA: U369376



KRAGGA KAMMA DS 180039 - SP
0088830534 - 08-NOV-18

AFC **35** ICP -
Age / Calves **2yr.11m. / 1**
Cow Eff. -
Cow/Wean Ratio: **-%**
Avg. WI/Calf: **/ 0**

BHETJANE FF 050023 - SP
0061992715 -25-SEP-05- DNA: U1386071

WALT GF 070097 - SP
0065235574 - 11-OCT-07
AFC **25** ICP **371**
Age / Calves **8yr.2m. / 7**
Cow/Wean Ratio: **52.33%**
Cow Eff. **107**
Avg. WI/Calf: **105 / 7**

SNYBERG SB 080217 - SP
0067154294- 15-AUG-08- DNA: U162619

QUAGGA FLATS GL 150015 - SP
0082746165 - 29-SEP-15
AFC **37** ICP **492**
Age / Calves **5yr.9m. / 3**
Cow Eff. -
Cow/Wean Ratio: **-%**
Avg. WI/Calf: **/ 0**

BHETJANE FF 970037 - SP
0038512471- 14-MAY-97- DNA: P680/05
BHETJANE FF 970004 - B
0038512141 - 08-APR-97

WALT GF 010147 - SP
0045464153 -22-NOV-01- DNA: U151449

WALT GF 060018 - SP
0062584776 - 18-FEB-06

TSHIKALANGA VAD 020005 - B
0047365192 -11-APR-02- DNA: U163285

SNYBERG SB 010052 - B
0045713328 - 08-DEC-01

QUAGGA FLATS GL 110053 - SP
0074466939- 24-OCT-11- DNA: U272577

QUAGGA FLATS GL 120043 - SP
0075785931 - 05-OCT-12

Selection V.	CALVING EASE		MILK	CALF GRWTH	MAINTENANCE		GROWTH TEST					FERTILITY			COW VALUE	GROWTH VALUE	PRODUCTION VALUE					
	★★	★★	★★★	★★★★	★★	Type					★★★											
	88 ₃₁	88 ₃₁	99 ₃₄	123 ₄₂	88 ₂₈	Birth wght	Birth Mat	Milk	Wean wght	Post wean	Mature wght	ADG	Kleiber	FCR	Length	Height	SC	AFC	ICP	★★★	★★★★	★★★
BV Ind	89	93	99	123	122	111	121	121	-	119	115	116	108	96	102 ₂₇	114 ₃₆	108 ₃₂					
BV	.56 ₃₂	.2 ₂₆	.2 ₃₄	9.3 ₄₂	13 ₂₆	11.9 ₂₈	44.6 ₃₂	51.7 ₃₂	-	15.5 ₃₆	6.9 ₃₇	8.1 ₃₇	-10.6 ₃₇	-1.24	In Vitro							
Breeder's Remarks: RUNNING WITH TV15-548														Flushings/Embrios/Calves: 0/0/0 Tests: CA & TB Tested Vacc. -								

LOT 119

0603085, LEOPARD RIDGE CONSERVANCY CC, T/A DUN NGUNIS,P.O. BOX 7007, GRAHAMSTOWN,6148,(T)083-655 5597



Naam Ident. nommer Geslag Afdeling Reg. nommer Geboorte Datum
WATERHOEK LRC 190034 **LRC 190034** **VROULIK SP** **0089419972** **20-OCT-19**

WATERHOEK LRC 190034 - SP
 0089419972 - 20-OCT-19
 OEK - TKP -
 Oud. / Kalwers **2j.6m. / 0**
 Gem SI/Kalf: / 0
 Koei Doelt.: -
 Koei/Speen Verh.: -%
 KALWINGS
 -

NANDIT 110378 - SP
 0074363110 -03-DEC-11- DNS: U289904



NANDIT 160071 - SP
 0084013572 - 07-AUG-16
 OEK **38** TKP **544**
 Oud. / Kalwers **4j.8m. / 2**
 Koei Doelt. -
 Koei/Speen Verh.: -%
 Gem SI/Kalf: / 0

NANDIT 050257 - B
 0062028592 -28-NOV-05- DNS: U258188

NANDIT 060118 - B
 0063151955 - 30-AUG-06
 OEK **38** TKP **413**
 Oud. / Kalwers **12j.2m. / 9**
 Koei/Speen Verh.: -%
 Koei Doelt. -
 Gem SI/Kalf: **91 / 2**

NANDIT 100086 - B
 0071129704 - 07-AUG-10- DNS: U182474

NANDIT 060242 - B
 0063560668 - 07-NOV-06
 OEK **34** TKP **416**
 Oud. / Kalwers **11j.11m. / 9**
 Koei Doelt. -
 Koei/Speen Verh.: -%
 Gem SI/Kalf: **104 / 1**

NANDIT 000070 - A
 0048787220 - 15-OCT-00- DNS: U182788

NANDIT 030110 - SP
 0047964820 - 14-AUG-03

NANDIT 000070 - A
 0048787220 - 15-OCT-00- DNS: U182788

NANDIT 020241 - SP
 0049542533 - 07-NOV-02

- T 021201 - A
 0063768915 - 15-OCT-02- DNS: U176278

NANDIT 040007 - SP
 0048207260 - 13-FEB-04

NANDIT 020204 - B
 0046619714 - 19-OCT-02

- T 030258 - A
 0062587282 - 18-DEC-03

Seleksie W.	KALF GEMAK		MELK	KALFGROEI	ONDERHOUD	GROEI TOETS					VRUGBAARHEID			KOEI WAARDE	GROEI WAARDE	PRODUKSIE WAARDE	
	★★★★		★★	★★	★★★★	Tipe groeipunt					★★★						
	121 ₃₆		74 ₂₈	86 ₄₃	116 ₆	GDT	Kleiber	VOV	Lengte	Hoogte	SO	OEK	TKP	★★	★★	★★	
TW Ind	116	126	74	86	81	87	91	100	-	79	87	85	99	99	85 ₂₂	81 ₃₂	82 ₂₇
TW	-8 ₄₀	-7 ₁₄	-5.1 ₂₈	-3.3 ₄₃	-6.5 ₁₆	-7.2 ₆	-16 ₂₅	18.3 ₂₅	-	12.3 ₃₀	-5.7 ₃₂	-3 ₃₁	-3.3 ₃₅	-1.9 ₁₅	In Vitro		
Telersopmerkings: RUNNING WITH FF13-104/T17-86														Spoelings/Embrios/Kalwers: 0/0/0 Toetse: CA & TB Tested Inent. -			



DUN

Est. 2005

Nguni Stud

Commercial Females

LOT	ANIMAL NUMBER	REMARKS & TEST	PRICE
C1	WT13-121	<p>CLASSIFICATION: Cow & Calf</p> <p>REMARK: 3M PREG TO FF13-104/T17-86. BULL CALF - DUN21-51 - SIRE FF13-104</p> <p>TEST: CA & TB Tested</p>	
C2	RV15-10	<p>CLASSIFICATION: Cow & Calf</p> <p>REMARK: 4,5M PREGNANT TO FF13-104. BULL CALF - DUN21-68 -SIRE FF13-104</p> <p>TEST: CA & TB Tested</p>	
C3	LRC17-79	<p>CLASSIFICATION: Cow & Calf</p> <p>REMARK: RUNNING WITH FF13-104/T17-86. HEIFER CALF - DUN22-3 - SIRE TV15-548</p> <p>TEST: CA & TB Tested</p>	
C4	Q08-83	<p>CLASSIFICATION: Cow & Calf</p> <p>REMARK: RUNNING WITH FF13-104/T17-86. BULL CALF - DUN21-52 - SIRE FF13-104</p> <p>TEST: CA & TB Tested</p>	
C5	DS17-61	<p>CLASSIFICATION: Cow & Calf</p> <p>REMARK: 4M PREGNANT TO TV15-548</p> <p>TEST: CA & TB Tested</p>	
	HW17-164	<p>CLASSIFICATION: Cow & Calf</p> <p>REMARK: 4M PREGNANT TO TV15-548</p> <p>TEST: CA & TB Tested</p>	
C6	HW18-09	<p>CLASSIFICATION: Pregnant Cow</p> <p>REMARK: 5,5M PREGNANT TO TV15-548</p> <p>TEST: CA & TB Tested</p>	
	LRC15-08	<p>CLASSIFICATION: Pregnant Cow</p> <p>REMARK: 7,5M PREGNANT TO FF13-104</p> <p>TEST: CA & TB Tested</p>	
	XA16-67	<p>CLASSIFICATION: Pregnant Cow</p> <p>REMARK: 7,5M PREGNANT TO TV15-548</p> <p>Test: CA & TB Tested</p>	
C7	LRC20-120	<p>CLASSIFICATION: Pregnant Heifer</p> <p>REMARK: 4,5M PREGNANT TO T17-86</p> <p>TEST: CA & TB Tested</p>	
	LRC20-05	<p>CLASSIFICATION: Pregnant Heifer</p> <p>REMARK: 4M PREGNANT TO FF13-104</p> <p>TEST: CA & TB Tested</p>	

C8	LRC20-07	CLASSIFICATION: Pregnant Heifer REMARK: 5,5M PREGNANT TO FF13-104 TEST: CA & TB Tested	
	LRC20-09	CLASSIFICATION: Pregnant Heifer REMARK: 7M PREGNANT TO T17-76 TEST: CA & TB Tested	
C9	DUN20-150	CLASSIFICATION: Open Heifer REMARK: RUNNING WITH TV15-548 TEST: CA & TB Tested	
	DUN21-180	CLASSIFICATION: Open Heifer REMARK: RUNNING WITH TV15-548 TEST: CA & TB Tested	
	DUN21-20	CLASSIFICATION: Open Heifer REMARK: RUNNING WITH TV15-548 TEST: CA & TB Tested	
C10	DUN21-21	CLASSIFICATION: Open Heifer REMARK: RUNNING WITH TV15-548 TEST: CA & TB Tested	
	DUN21-29	CLASSIFICATION: Open Heifer REMARK: RUNNING WITH TV15-548 TEST: CA & TB Tested	
	DUN19-100	CLASSIFICATION: Open Heifer REMARK: RUNNING WITH FF13-104/T17-86 TEST: CA & TB Tested	
C11	DS18-39	CLASSIFICATION: Dry Cow REMARK: RUNNING WITH FF13-104/T17-86 TEST: CA & TB Tested	
	LRC18-05	CLASSIFICATION: Dry Cow REMARK: RUNNING WITH FF13-104/T17-86 TEST: CA & TB Tested	



DUN

Est. 2005

Nguni Stud

NGUNI Cattle Breeders' Society
Beestelersgenootskap



Sold under the
auspices of the
Nguni Breed
Society



UMSENGE NGUNIS



BRANDON LEER

Auctioneers

EST. 1988

